

cuckooland[™].com

LIVE IN THE WOW

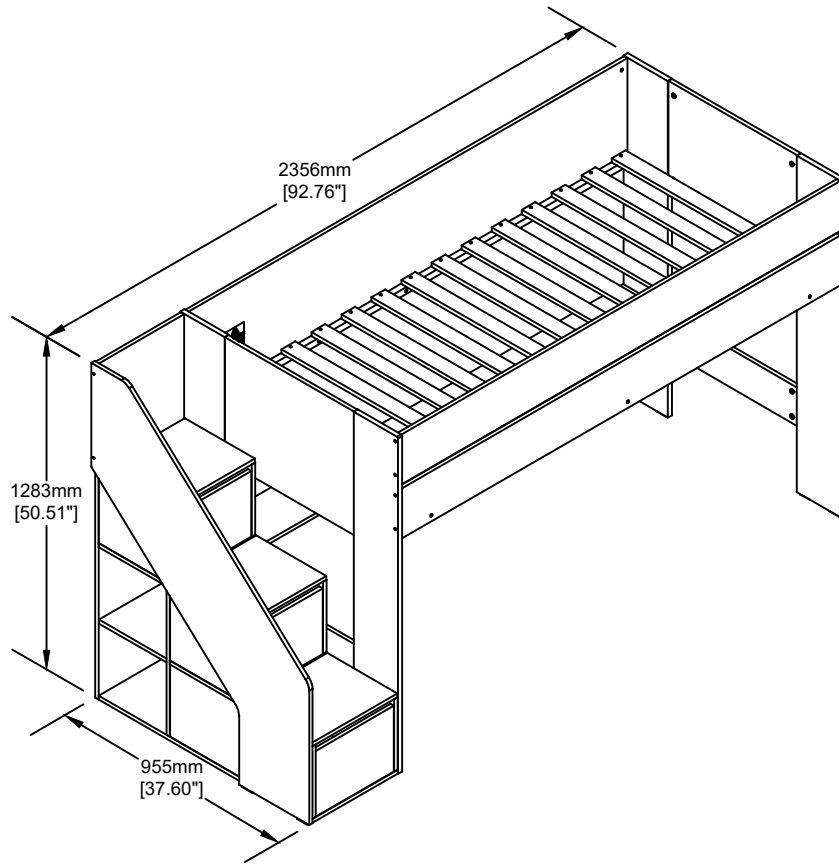
Olivia Mid Sleeper

Assembly Instructions

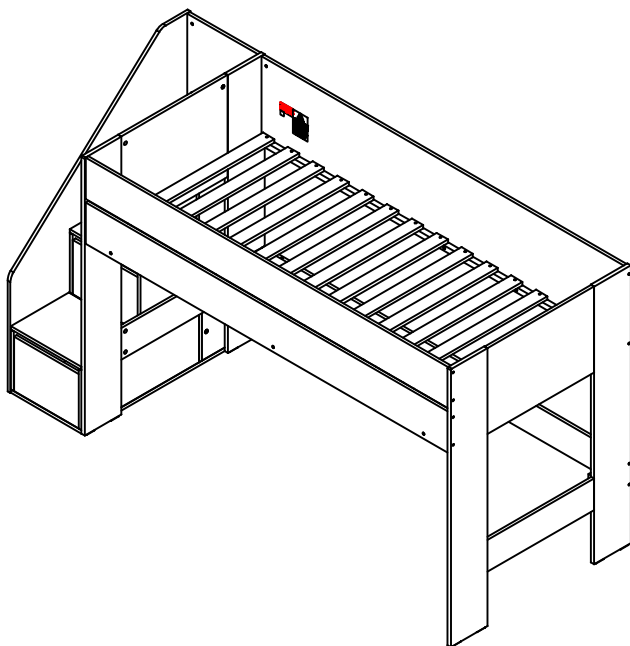
Model : MG 7826

Product Size : 920mm x 1930mm (Base Int Size)

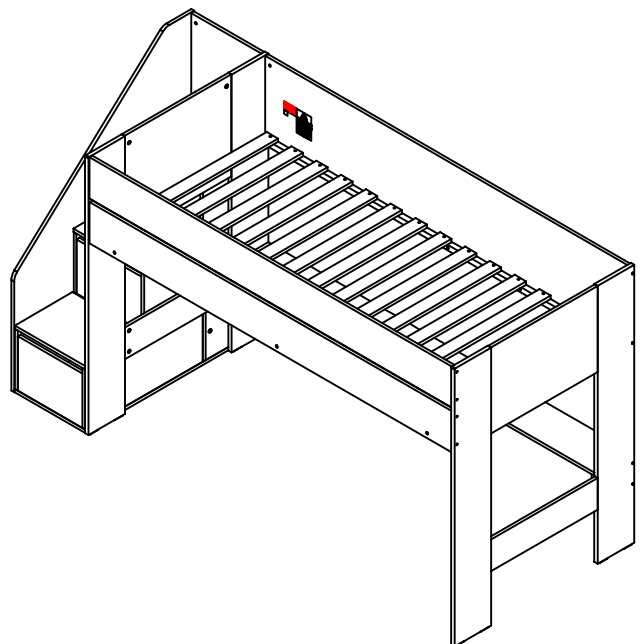
Thank you for purchasing this product. Before starting assembly we suggest you spend a short time reading through this leaflet, then follow the simple step by step guide. Two people are needed to assemble this product.



Option A



Option B



Model : MG 7826

Product Size : 920mm x 1930mm (Base Int Size)

TOP TIPS BEFORE YOU START !

IMPORTANT - READ CAREFULLY - RETAIN FOR FUTURE REFERENCE

1. Please check that all parts & hardware are present before you start the assembly of your furniture.
2. For ease and speed of assembly, we recommend that before you commence each step of the assembly, Please identify all the parts required for that step.
3. We recommend that where possible, all items are assembled near to the area in which they will be placed in use, to avoid moving the product unnecessarily once assembled.
4. For the protection of your furniture, particularly items of high gloss finish, we recommend that the product is placed on a Protected surface during assembly to prevent any damage.
5. During assembly please take care not to over-tighten any fittings, as this may damage the product.

CARE AND MAINTENANCE OF YOUR FURNITURE

- Please periodically check all fittings and re-tighten as necessary.
- To clean your item, please use a damp cloth and wipe clean.
- Never allow any kind of liquid to remain on your furniture. Absorption can cause wood to warp or finishes to de-laminate.
- Please do not place hot items (e.g hot drinks) directly on the wood surface.
- Please do not drag or pull your furniture.

IMPORTANT INFORMATION

1. Thickness of mattress should not exceed 184mm.
2. Children should be discouraged from playing on top of this bunk bed.
3. The bunk bed should be checked periodically by the owner to ensure that the guardrail, ladder, and other components are maintained in the correct position and state of repair and that all connectors are tight.
4. A bunk bed is not to be placed near a ceiling fan unless the distance between the closest points on the ceiling fan bunk Bed is at least 2 metres.
5. Use guardrails on both sides of upper bunk.
6. Prohibit horseplay on or under bed(s).
7. Prohibit more than one person on upper bunk.
8. Use Ladder for entering and leaving upper bunk.
9. If the bunk bed will be placed next to the wall, the guardrail that runs the full length of the bed should be placed against The wall to prevent entrapment between the bed and the wall.
10. **WARNING** Do not use the bunk bed/high bed if any structural part is broken or missing.
11. Ventilation of the room is necessary in order to keep the humidity low and to prevent mould in and around the bed.
12. **WARNING** "high beds & the upper bed of bunk beds are not suitable for children under six years due to risk of injury from falls";
13. **WARNING** "children can become trapped between the bed & the wall, a roof pitch, the ceiling, adjoining pieces of furniture (e.g.cupboard) and the like. To avoid risk of serious injury the distance between the top safety barrier and the adjoining structure shall not exceed 75mm nor shall be more than 230mm"
14. always follow the manufacturer's instruction;
15. Recommended Mattress Size : 90cm x 190cm (UK Single) with Maximum Depth of 18.4cm
16. This item conforms to European Safety Standards - BS EN 747-1 : 2012 + A1 : 2015 & BS EN 747-2 : 2012 + A1 : 2015
17. **WARNING** "Bunk beds and high beds can present a serious risk of injury from strangulation if not used correctly. Never attach or hang items to any part of the bunk bed that are not designed to be used with the bed, for example, but not limited to ropes, strings, cords, hooks, belts and bags"
18. High beds and the upper bed of bunk beds is suitable for a maximum mattress thickness of 184mm. The top of mattress must not come above the line marked on the bed.

STRANGULATION HAZARD:

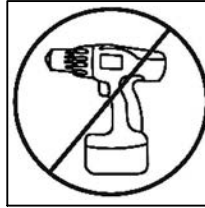
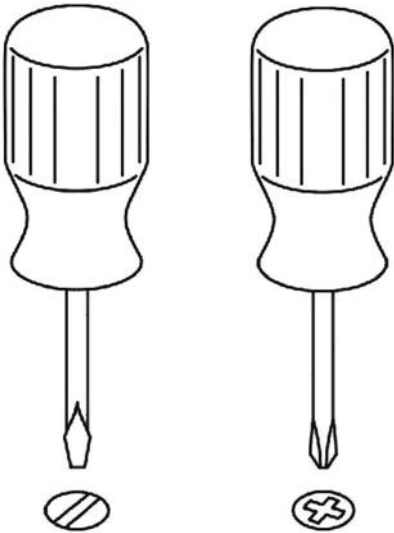
19. Never attach or hang items to any part of the bunk bed that are not designed for use with the bed for example, but not limited to hook, belt and jump ropes.

Guide To Assembly

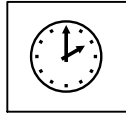
Model : MG 7826

Tools Required For Assembly

Phillips Screw Driver



DO NOT USE POWER TOOLS TO ASSEMBLE THIS PRODUCT. USE OF POWER TOOLS WILL INVALIDATE ANY CLAIM AND MAY DAMAGE THIS PRODUCT MAKING IT UNSAFE.

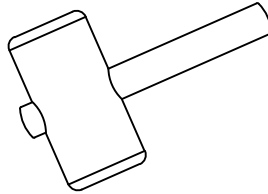


Approximately 3 hour

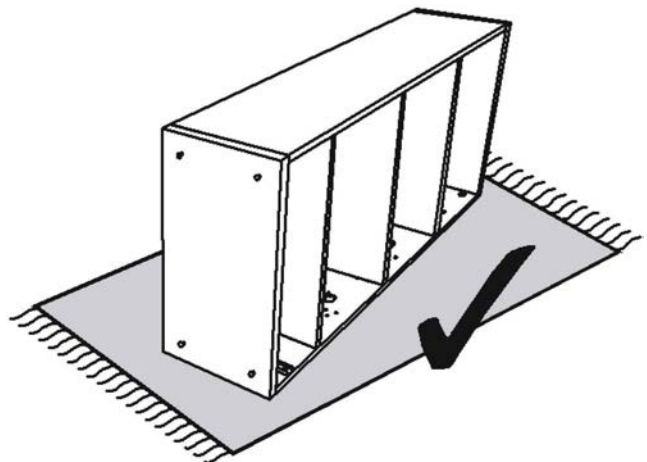
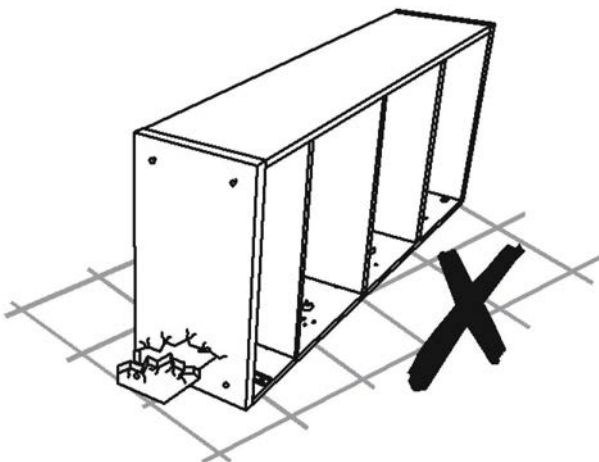
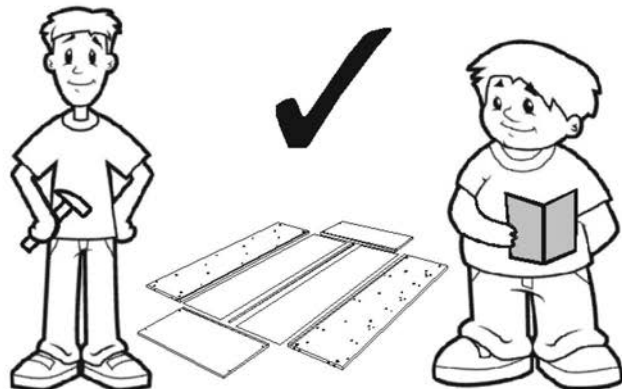
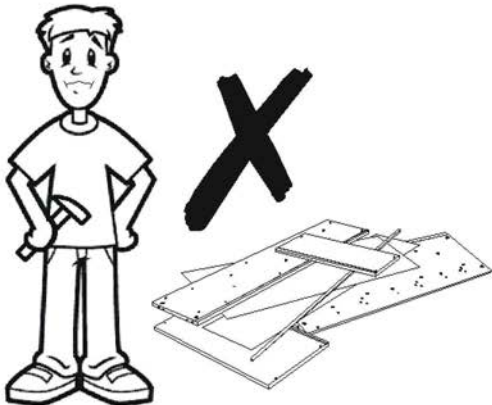
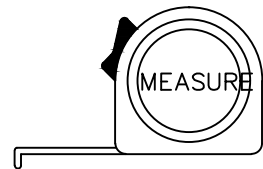


2 People Required

Rubber Hammer



Tape Measure



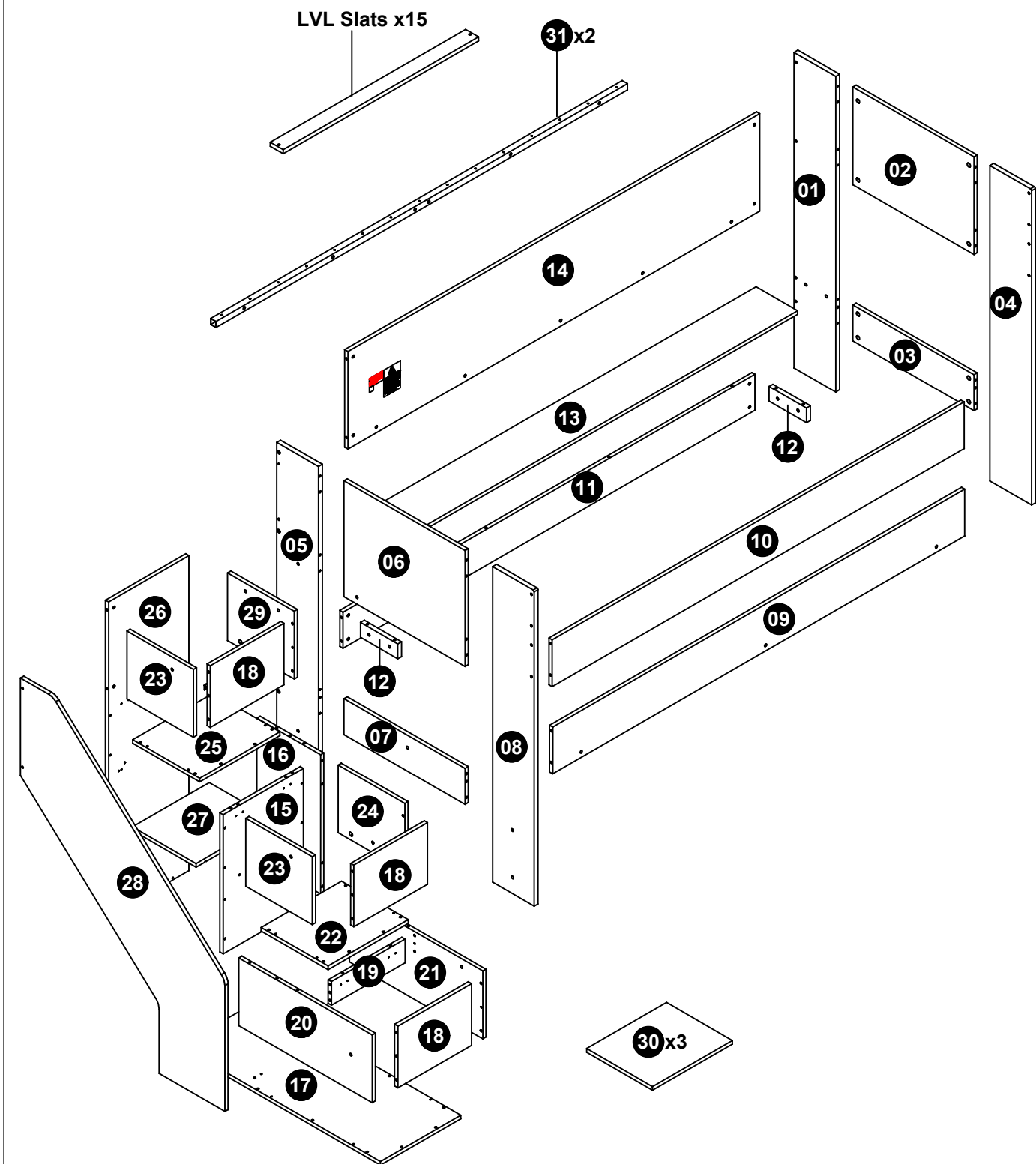
Part List

Model : MG 7826

Carton 1 of 3			Carton 3 of 3		
No.	Part Name	Pcs	No.	Part Name	Pcs
15	Center Support Panel (Ladder)	1	01	Right End Panel (Back)	1
16	Right Support Panel (Ladder)	1	02	Right Panel (Center Upper)	1
17	Bottom Panel (Ladder)	1	03	Right Panel (Center Lower)	1
18	Front Panel (Ladder)	3	04	Right End Panel (Front)	1
19	Support Panel (Ladder)	1	05	Left End Panel (Back)	1
20	1st Left Panel (Ladder)	1	06	Left Panel (Center Upper)	1
21	1st Right Panel (Ladder)	1	07	Left Panel (Center Lower)	1
22	2nd Top Panel (Ladder)	1	08	Left End Panel (Front)	1
23	Left Panel (Ladder)	2	12	Support Panel (Desk)	2
24	2nd Right Panel (Ladder)	1		LVL Slats	15
25	3rd Top Panel (Ladder)	1			
26	Back Panel (Ladder)	1			
27	Shelf Panel (Ladder)	1			
28	Left Panel (Ladder)	1			
29	3rd Right Panel (Ladder)	1			
Assembly Instructions + Fitting List					
Carton 2 of 3					
09	Side Front Panel (Lower)	1			
10	Side Front Panel (Upper)	1			
11	Back Panel (Desk)	1			
13	Top Panel (Desk)	1			
14	Side Panel (Back)	1			
30	Door Panel (Ladder)	3			
31	Metal Side Rail	2			

Part List

Model : MG 7826























Fitting List

Model : MG 7826

Carton 1 of 3

Fitting List

No.	Part Name		Pcs
A	Cam Stud (small)		48
B	Cam		48
C	M8 x 25mm Wood Dowel		70
D	45mm Chipboard Screw		26
E	14mm Chipboard Screw		44
F	6/8 L Braket		2
G	M6 JCN Nut		6
H	M6 Round Nut		10
J	Hinges Arm		6set
K	M6 x 13mm Baller		8
L	M6 x 50mm Allen Bolt		18
M	M6 x 35mm Allen Bolt		10
N	M6 x 30mm Allen Bolt		34
P	M6 x 25mm Allen Bolt		9
Q	M6 x 12mm Allen Bolt		8
R	Metal Shelf Support		4
S	Felt Pads (45 x 14mm)		16
T	Sticker 25mm		26+2
U	Metal Plate (MG 006)		2
V	M6 Allen Wrench		2

Caution

There are many small components used in the construction of this unit. These loose items should be kept away from young children whilst assembling your unit. As an extra precaution, screw cover caps should be permanently fixed in position. (Where applicable)

USEFUL HINTS & TIPS

Two people will be required to assemble this unit

Please keep this assembly instruction for future reference

Guide To Assembly

Model : MG 7826

01



A x 20



F x 2



B x 28



R x 4



C x 54



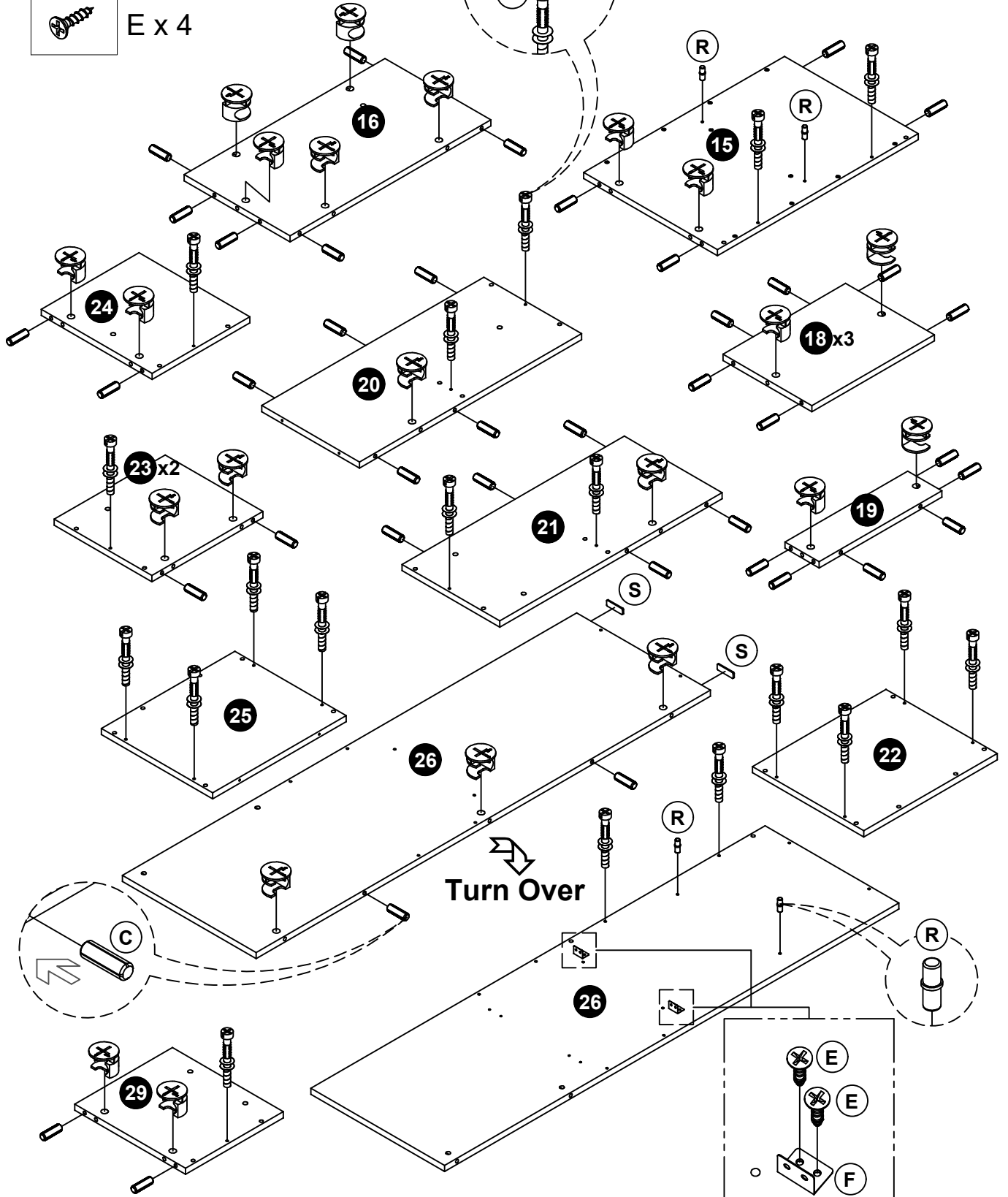
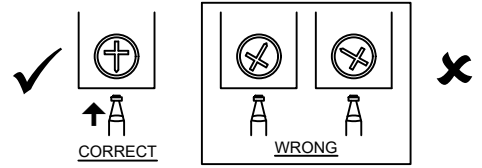
S x 2



E x 4

WHEN FITTING CAMS

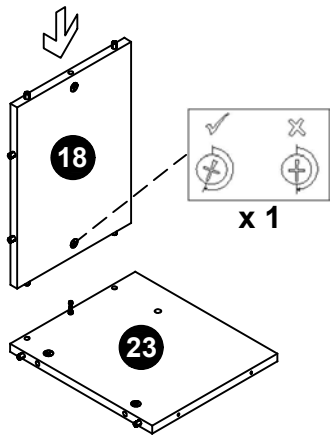
ENSURE STARTING POSITION IS CORRECT
BEFORE YOU INSERT CONNECTING BOLT
TURN CLOCKWISE UNTIL SECURE



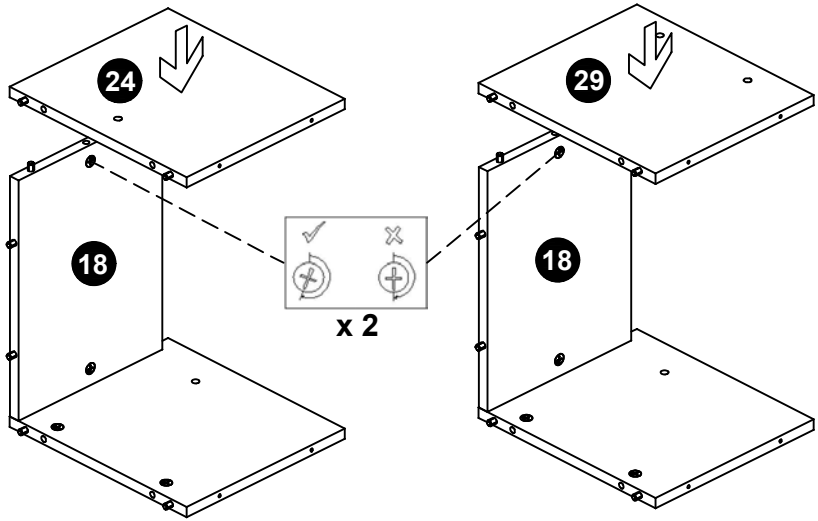
Guide To Assembly

Model : MG 7826

02

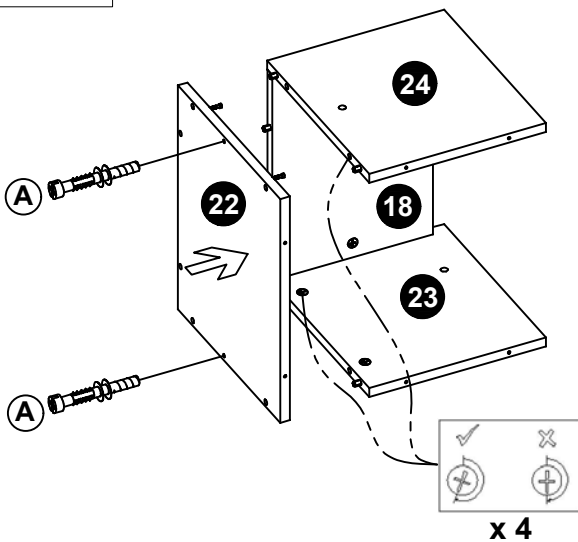
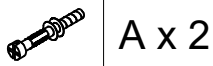


03

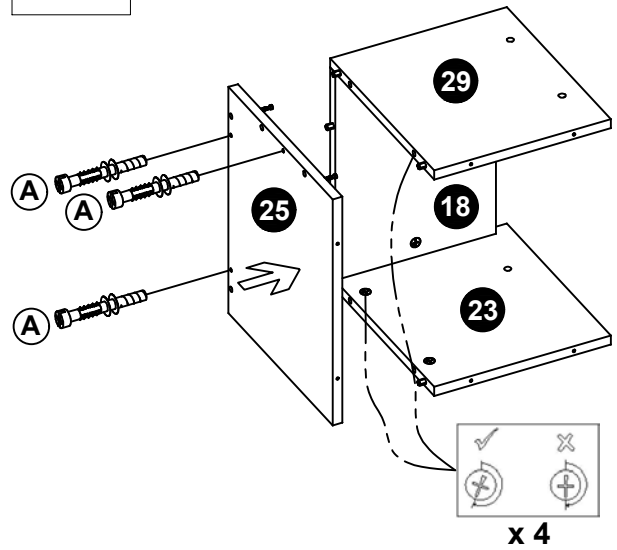
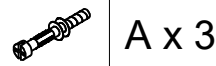


Do This Step 2 Times

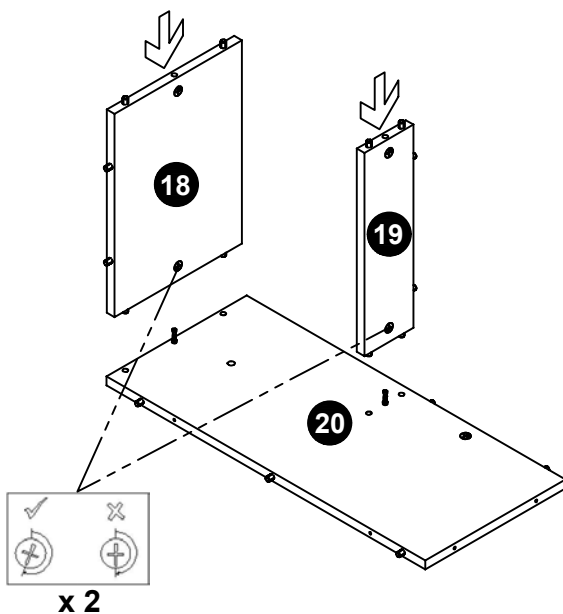
04



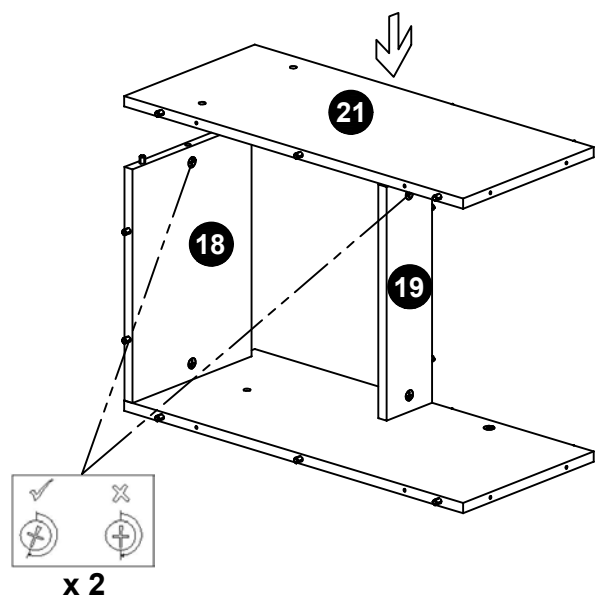
05



06

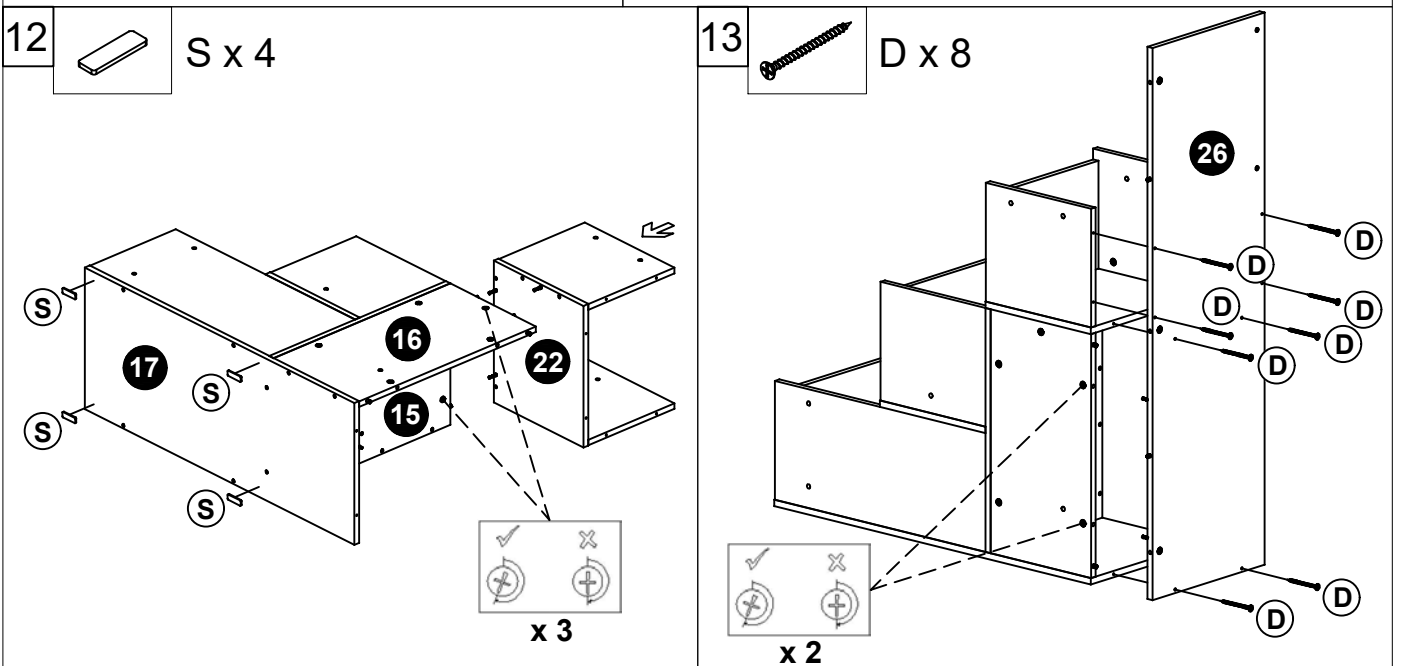
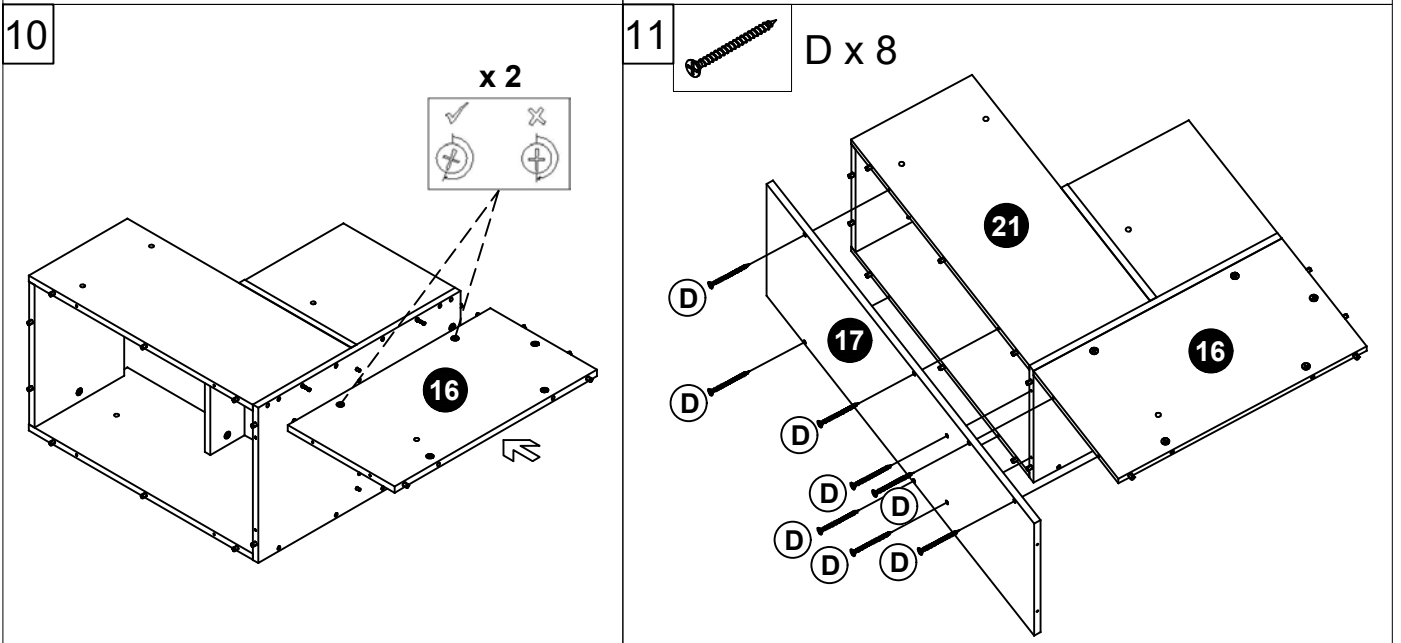
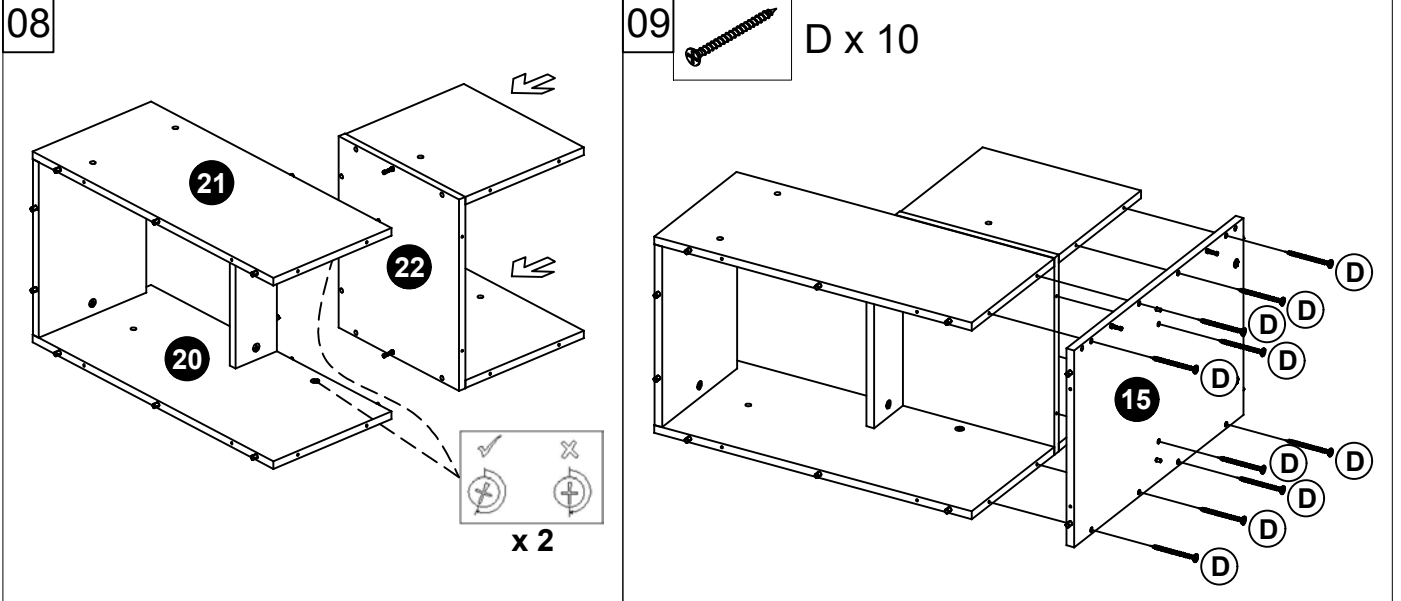


07



Guide To Assembly

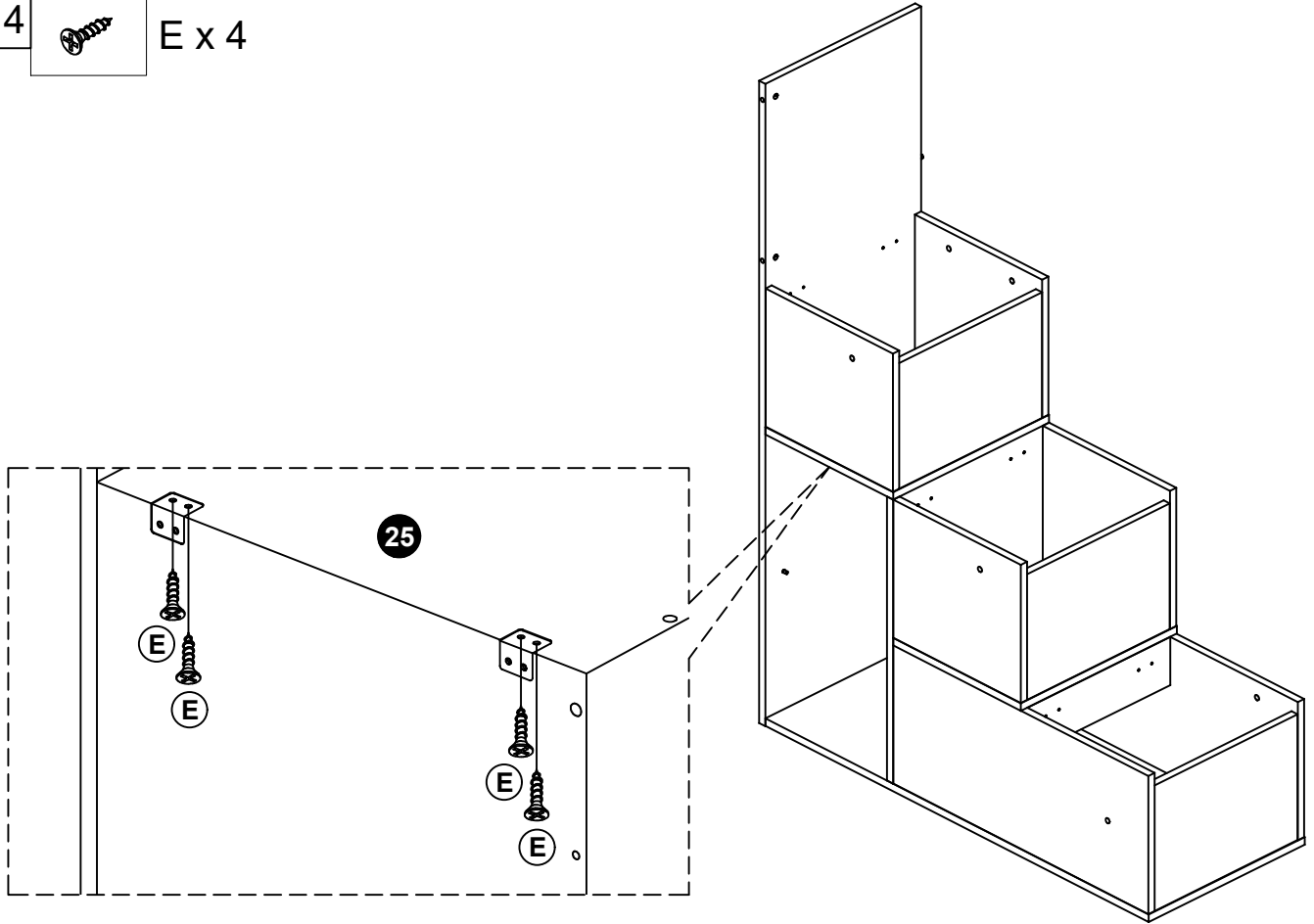
Model : MG 7826




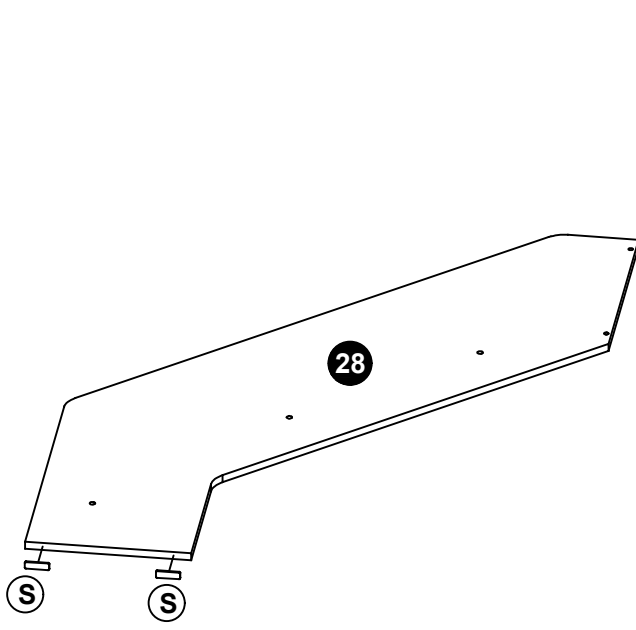
Guide To Assembly



Model : MG 7826

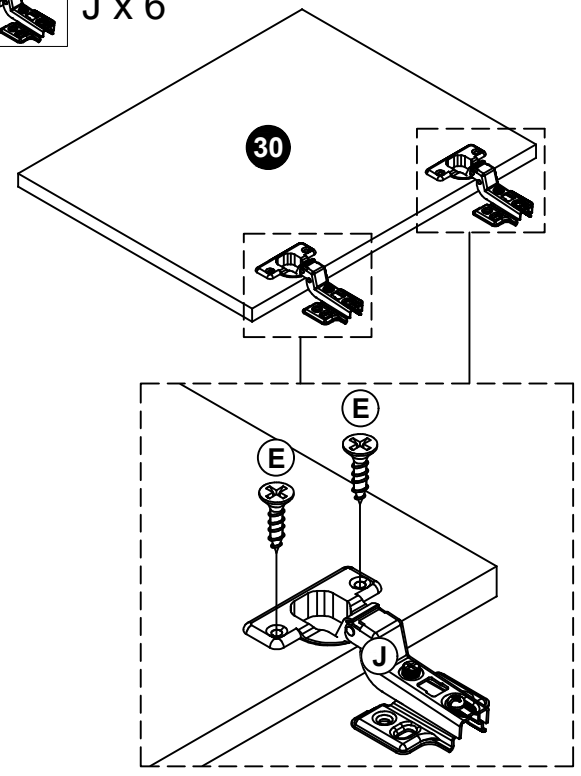
14  E x 4



15  S x 2



16  E x 12
 J x 6



Do This Step 3 Times

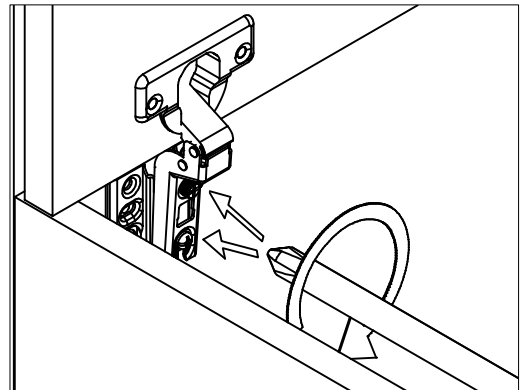
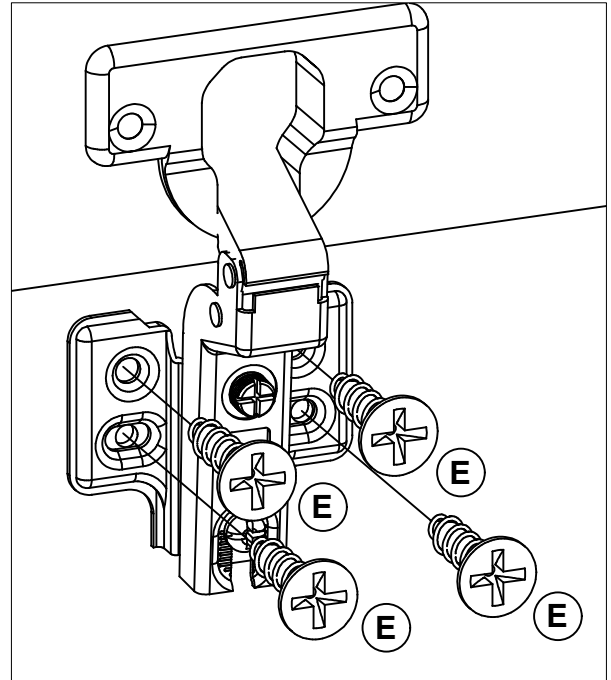
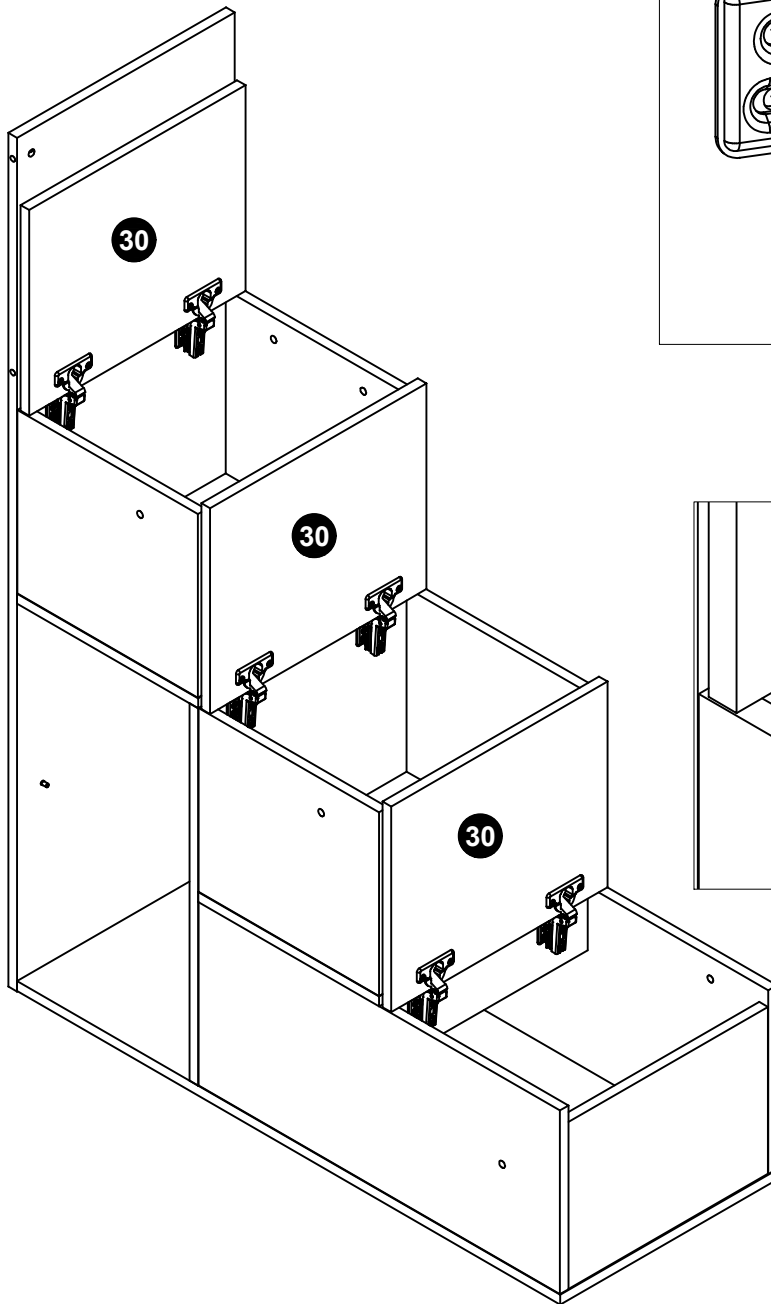
Guide To Assembly

Model : MG 7826

17



E x 24



Guide To Assembly

Model : MG 7826

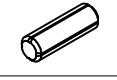
18



A x 16



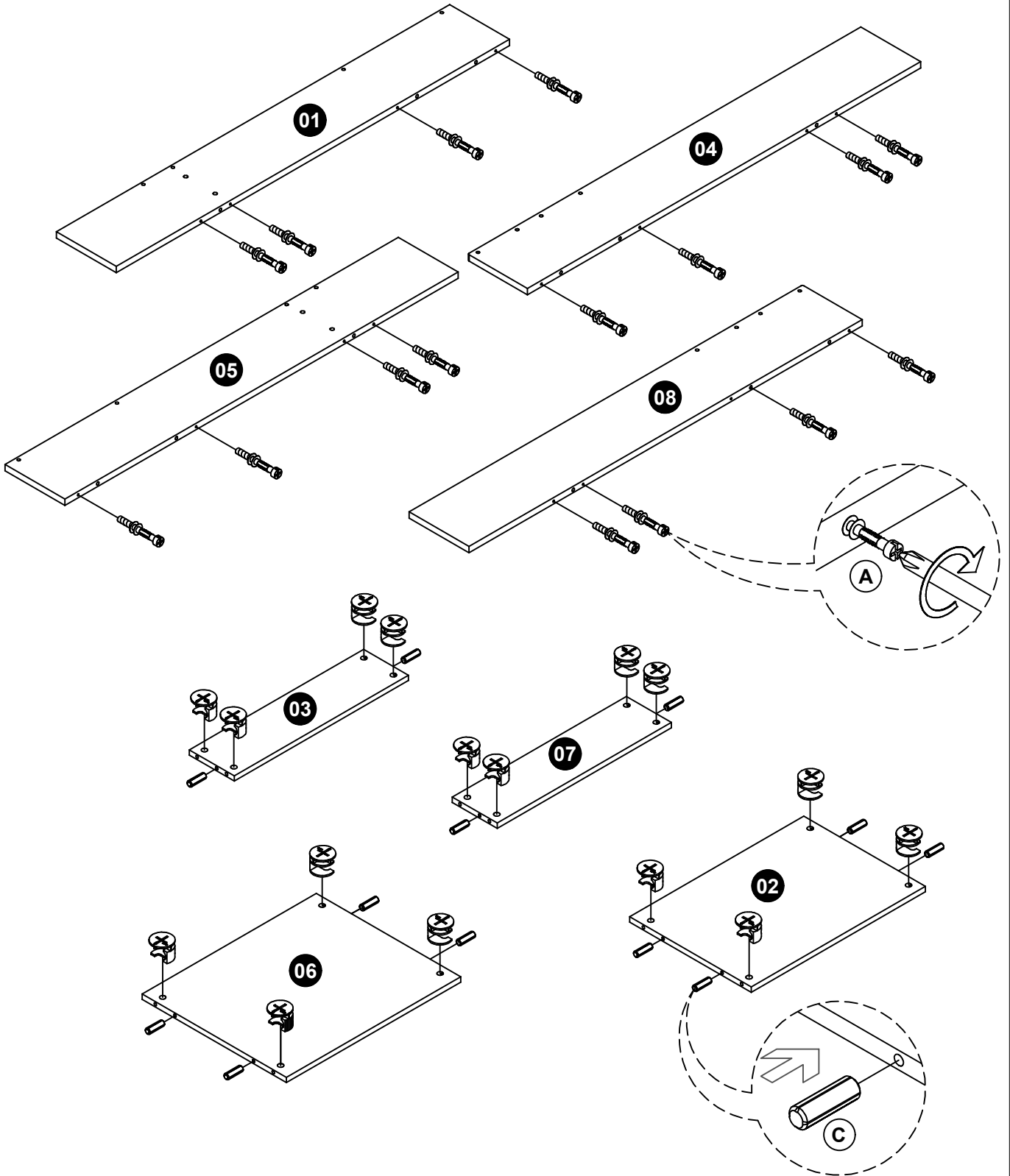
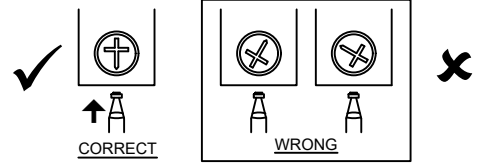
B x 16



C x 12

WHEN FITTING CAMS

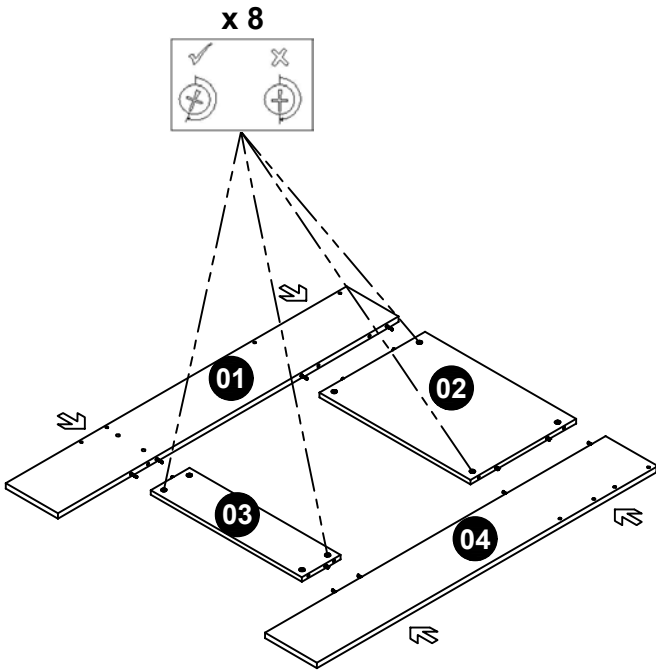
ENSURE STARTING POSITION IS CORRECT
BEFORE YOU INSERT CONNECTING BOLT
TURN CLOCKWISE UNTIL SECURE



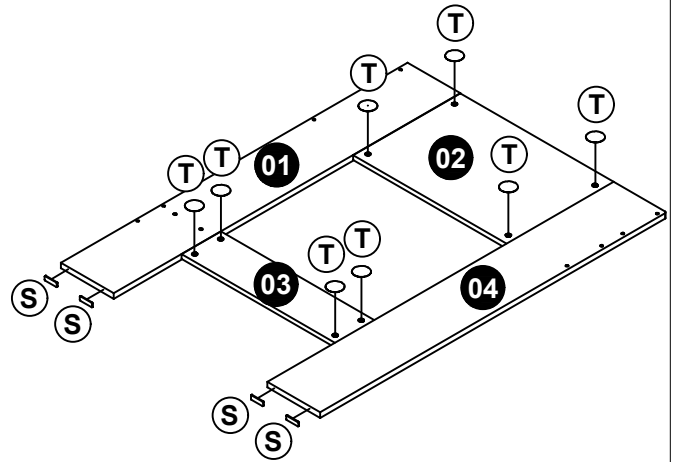
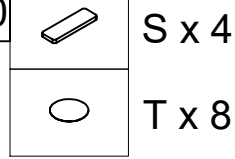
Guide To Assembly

Model : MG 7826

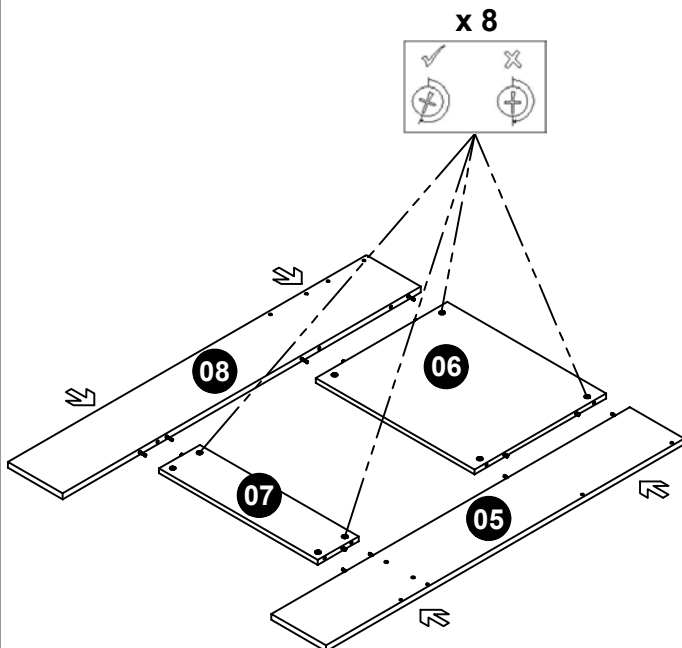
19



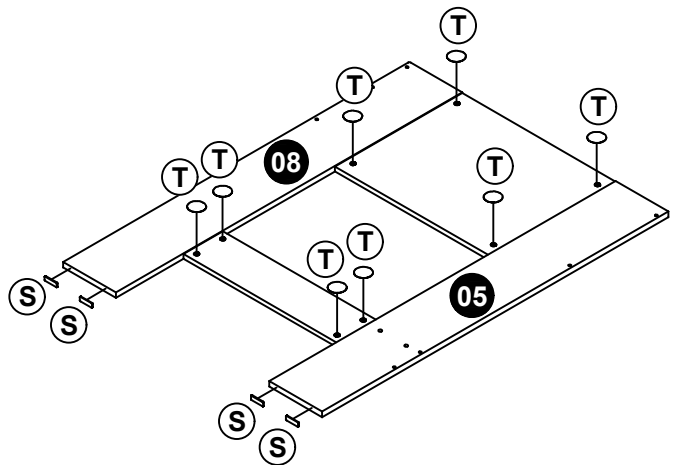
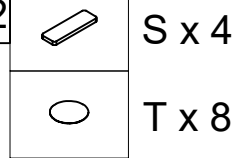
20



21



22



Guide To Assembly

Model : MG 7826

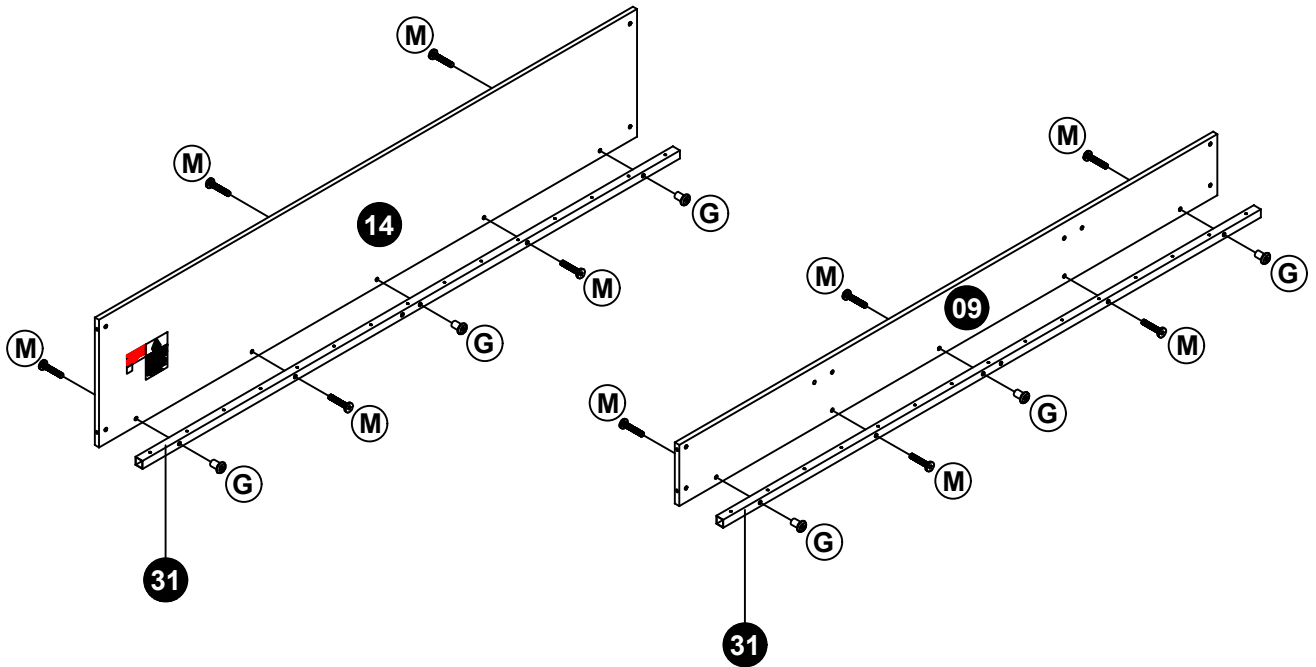
23



G x 6



M x 10



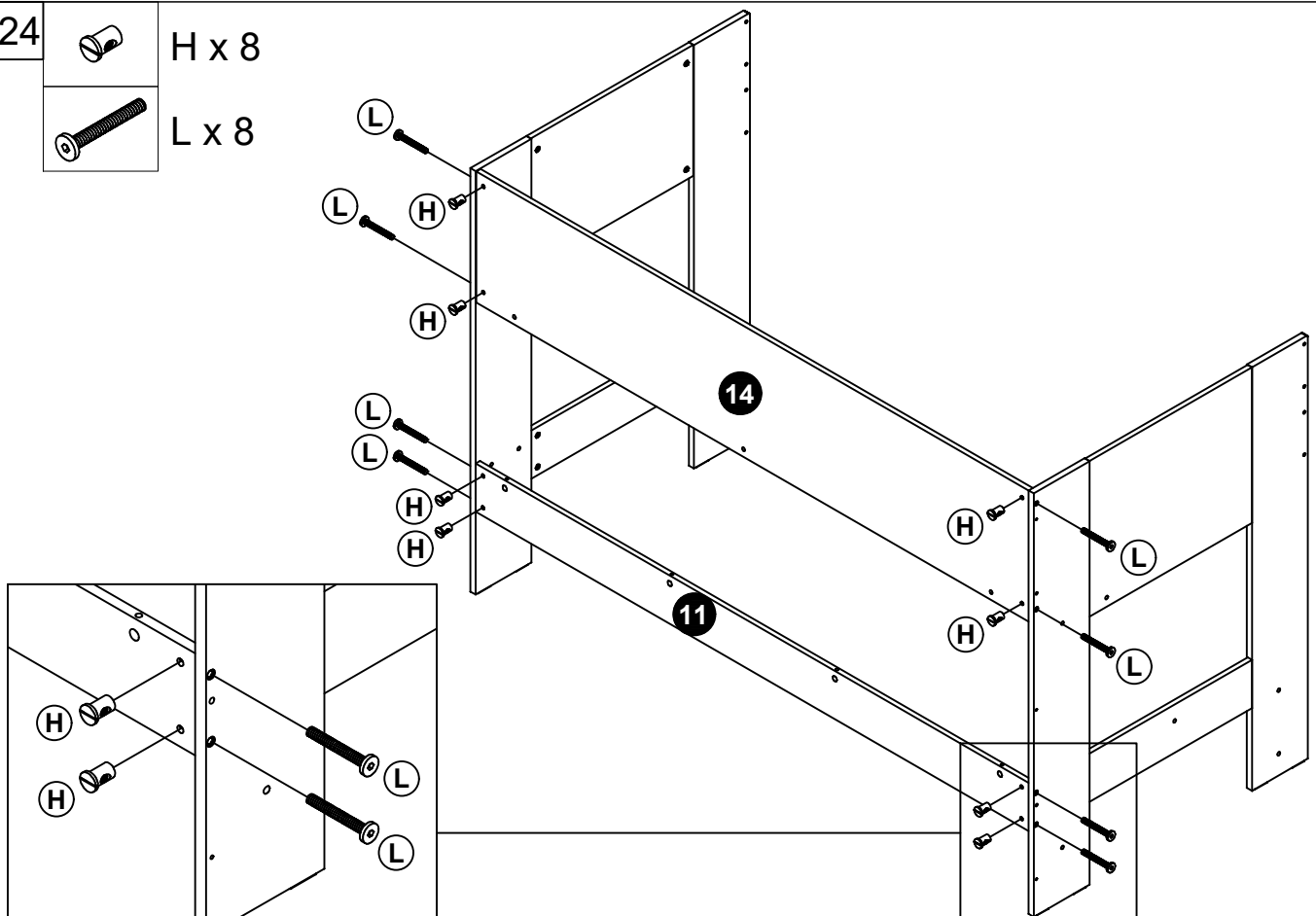
24



H x 8

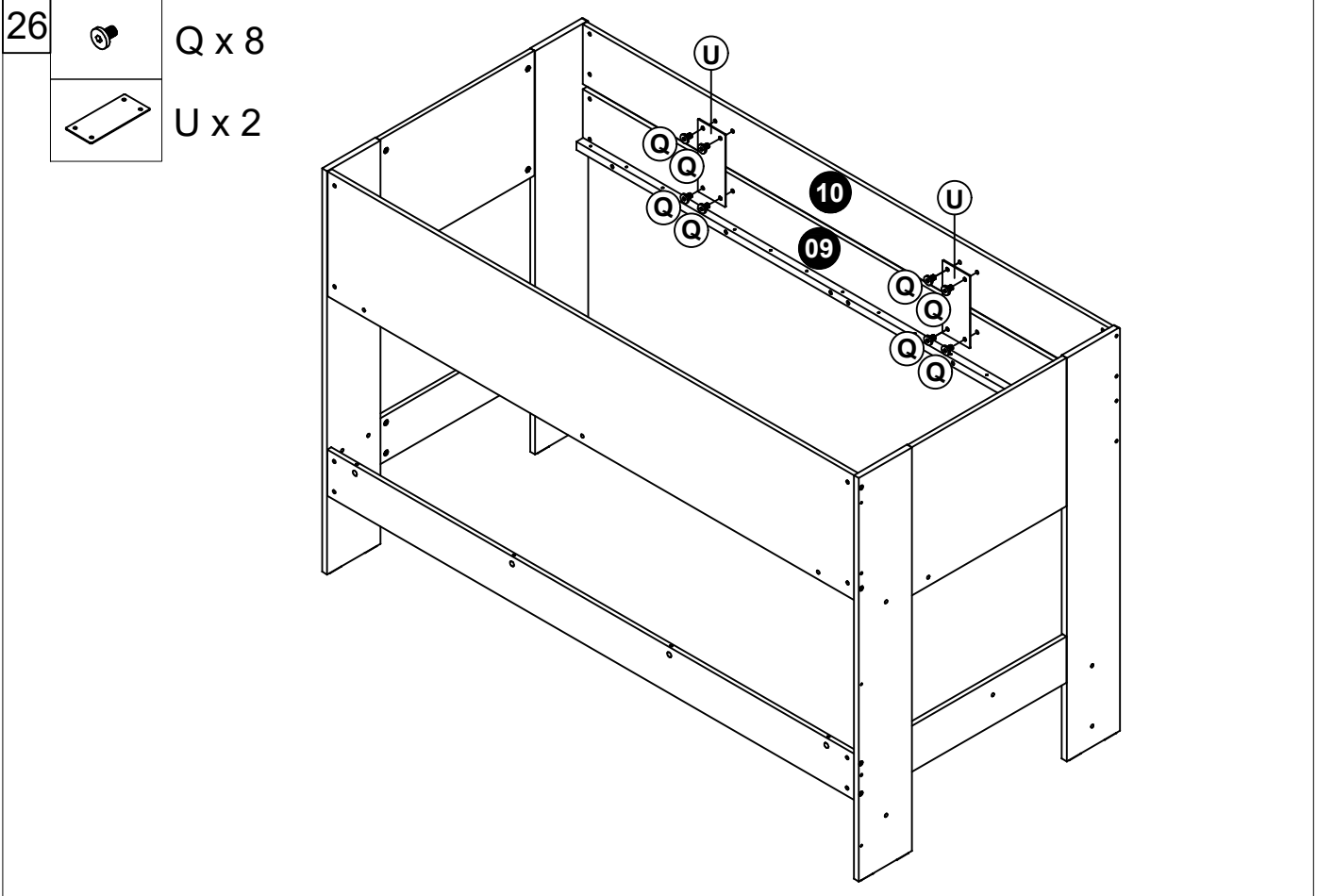
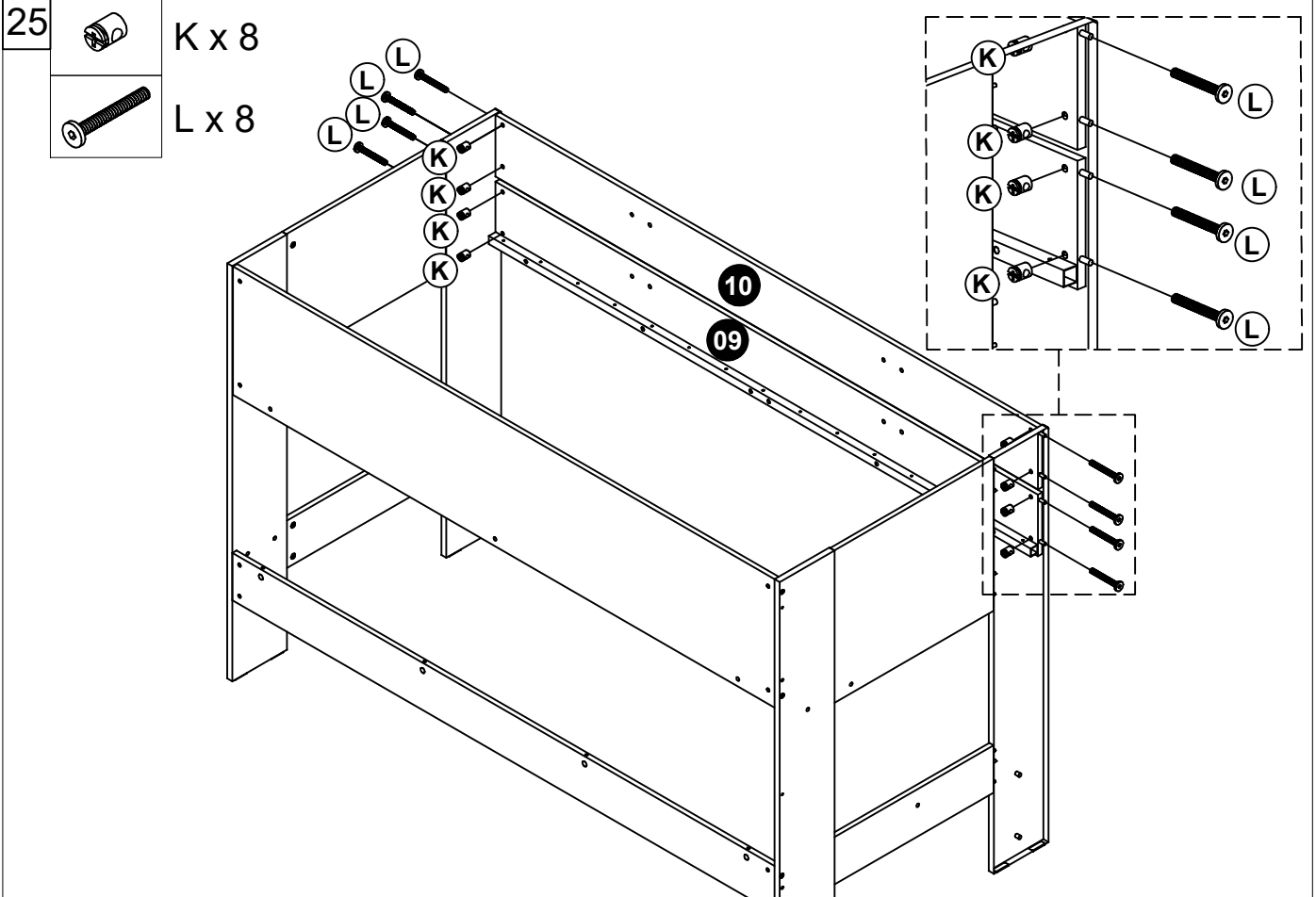


L x 8



Guide To Assembly

Model : MG 7826



Guide To Assembly

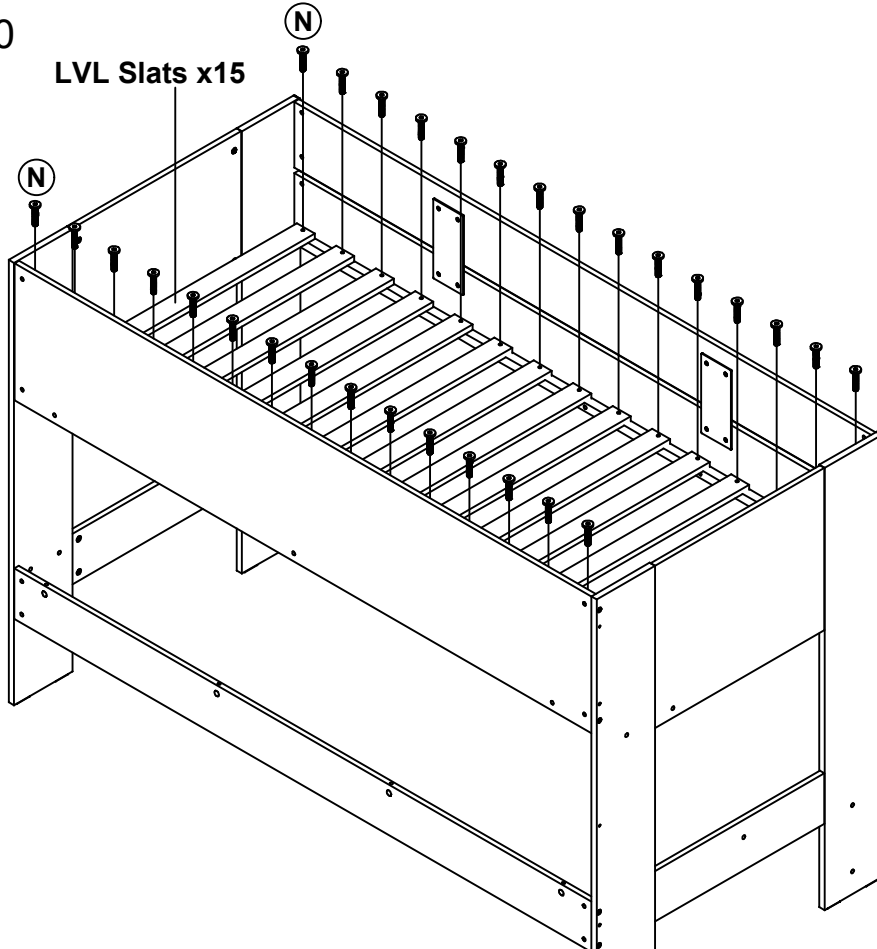
Model : MG 7826

27



N x 30

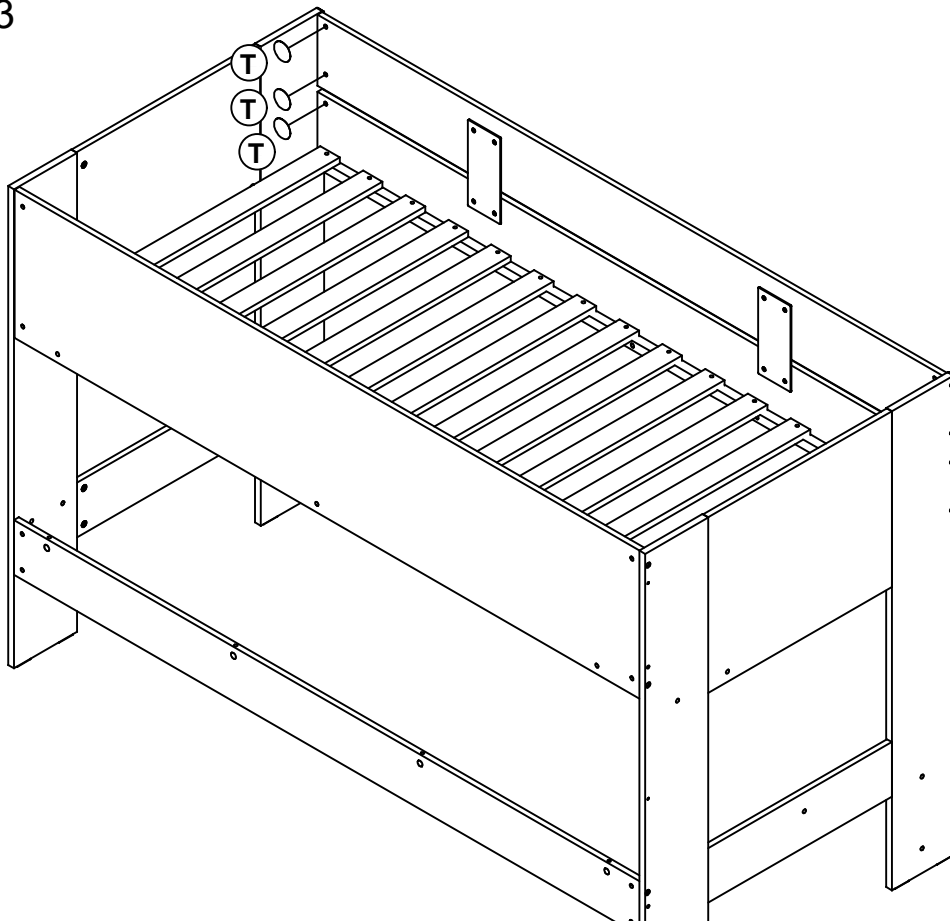
LVL Slats x15



28




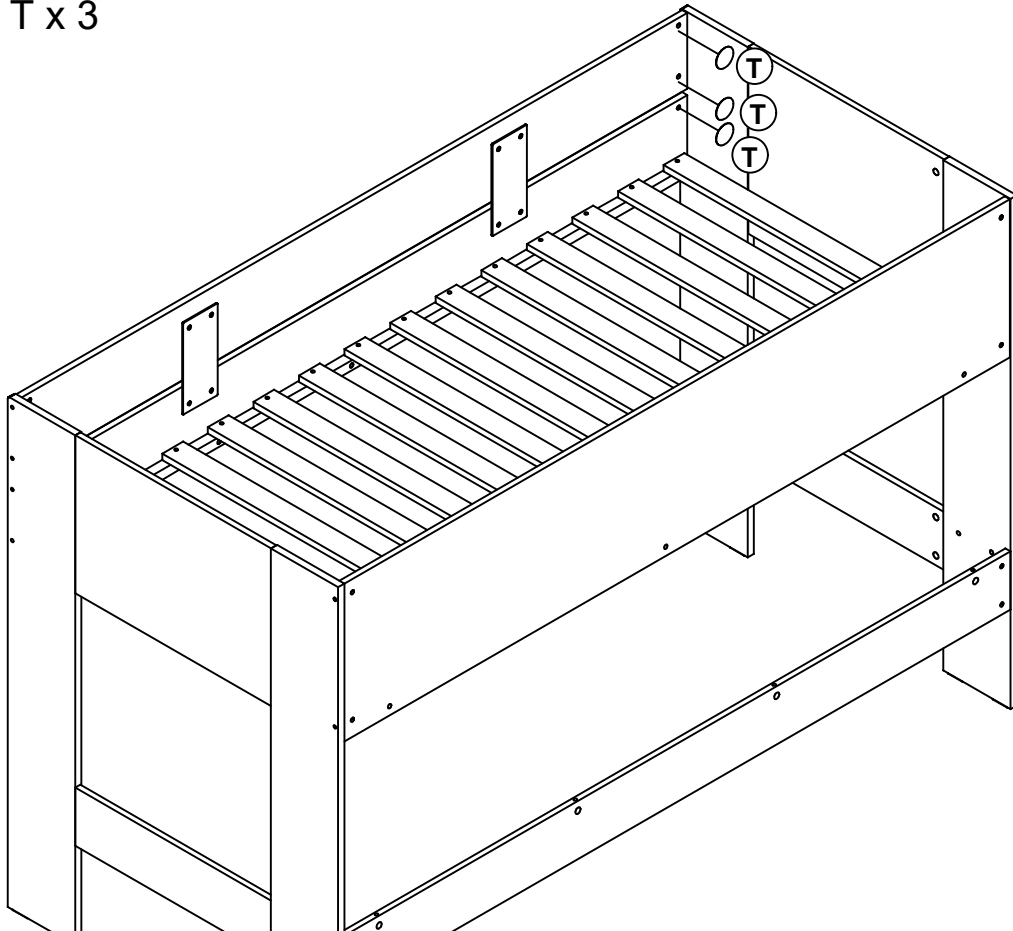
T x 3





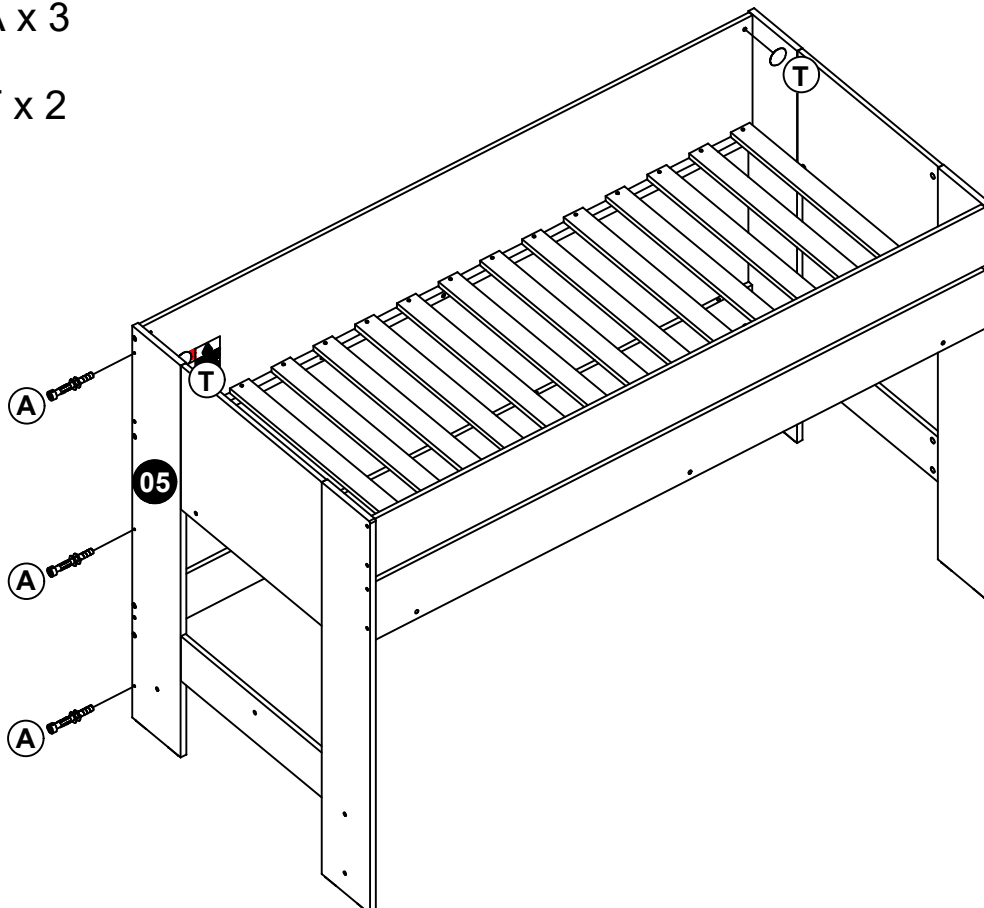
Guide To Assembly

Model : MG 7826

29  T x 3




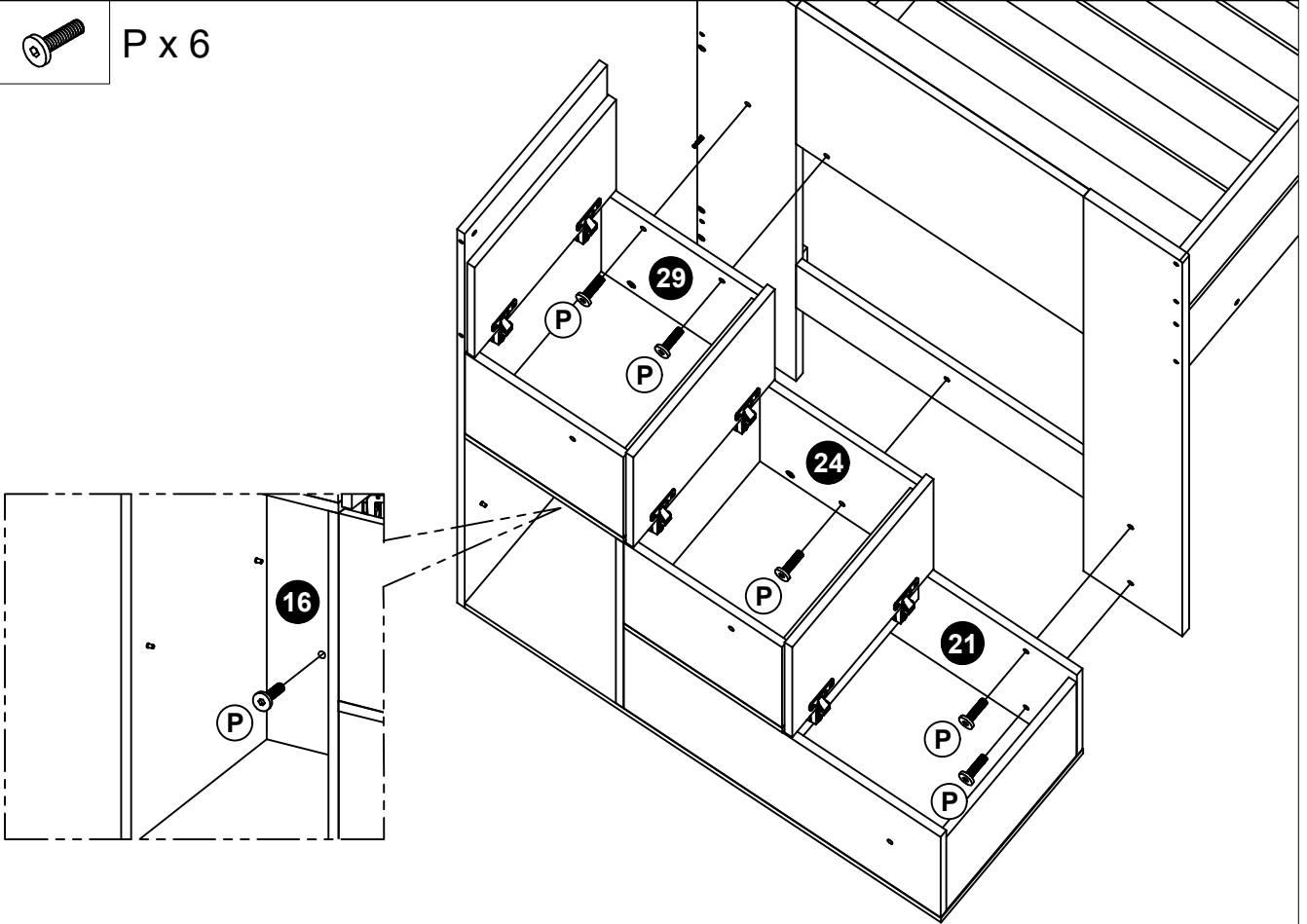
30  A x 3
 T x 2




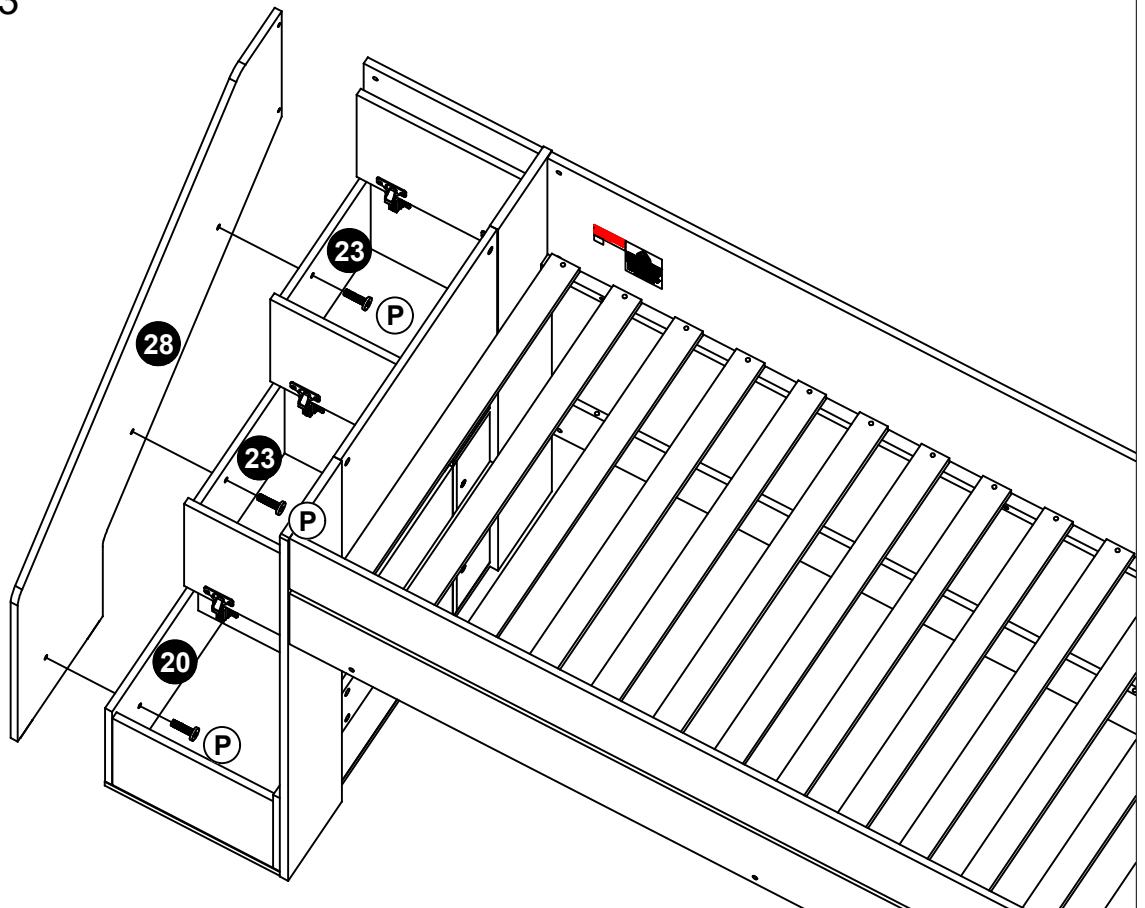
Guide To Assembly

Model : MG 7826

31  P x 6



32  P x 3



Guide To Assembly

Model : MG 7826

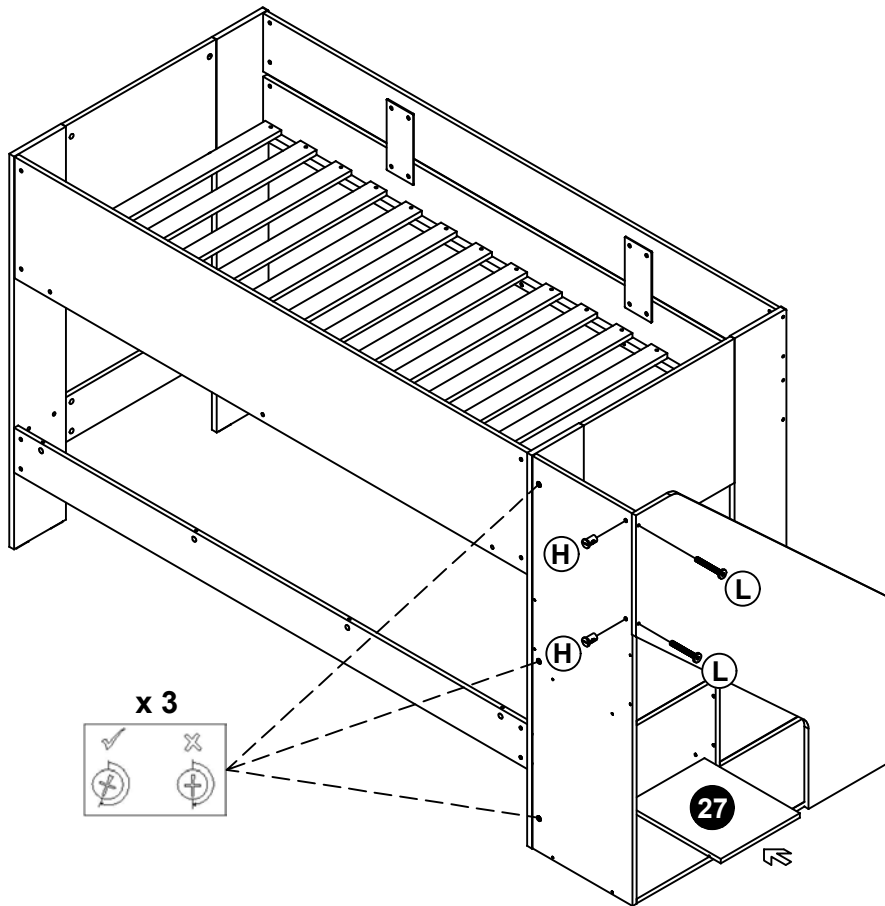
33



H x 2



L x 2

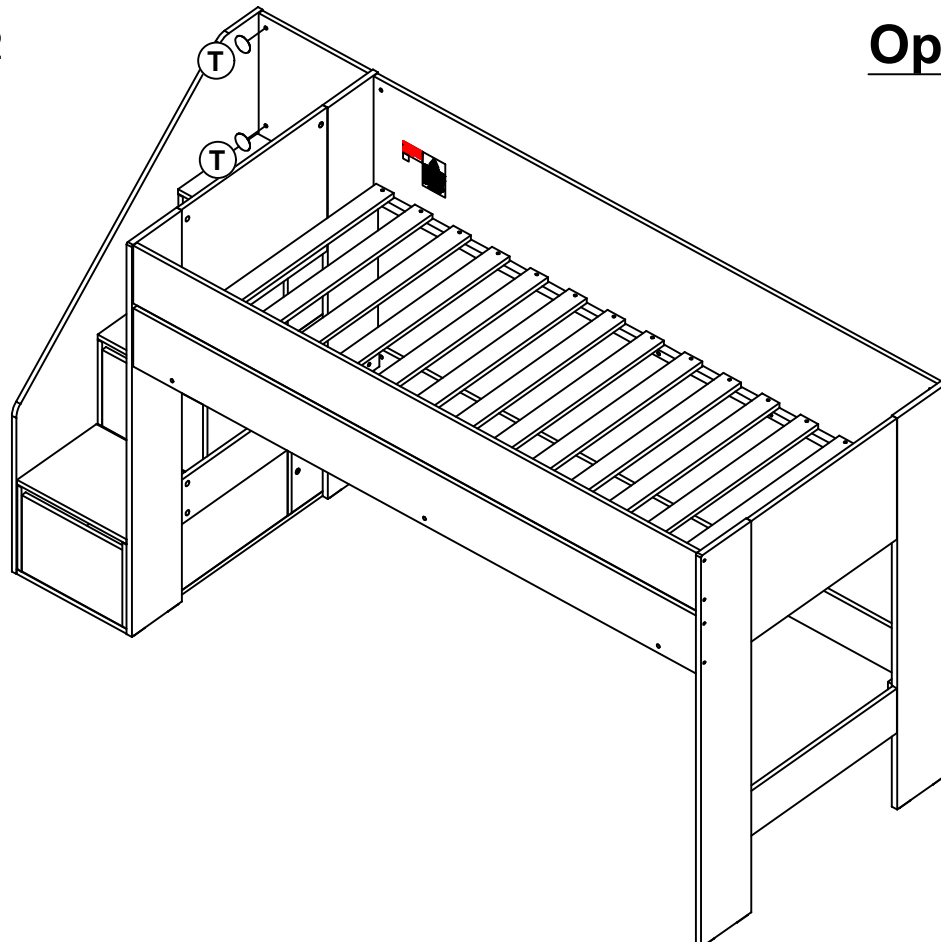


34



T x 2

Option A



Guide To Assembly

Model : MG 7826

35

A x 4

C x 4

12 x 2

13

A

C

WHEN FITTING CAMS
ENSURE STARTING POSITION IS CORRECT
BEFORE YOU INSERT CONNECTING BOLT
TURN CLOCKWISE UNTIL SECURE

CORRECT

WRONG

Option B

36

N x 4

05

01

12

N

Guide To Assembly

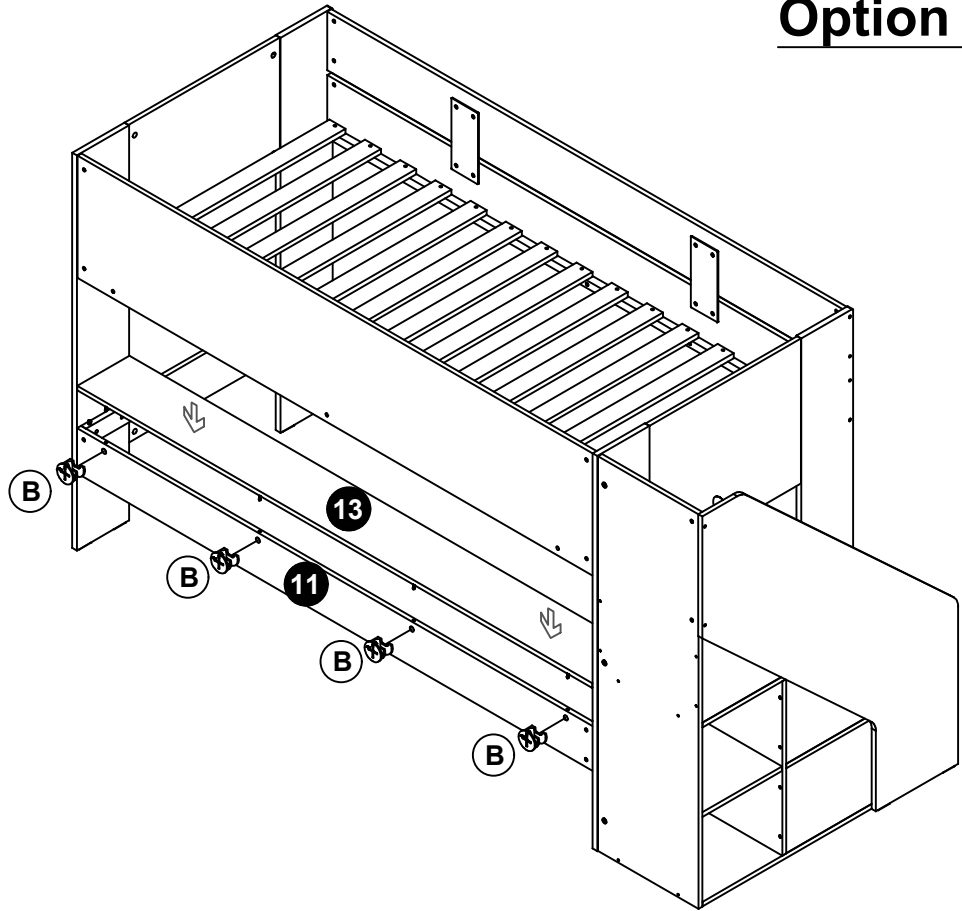
Model : MG 7826

37

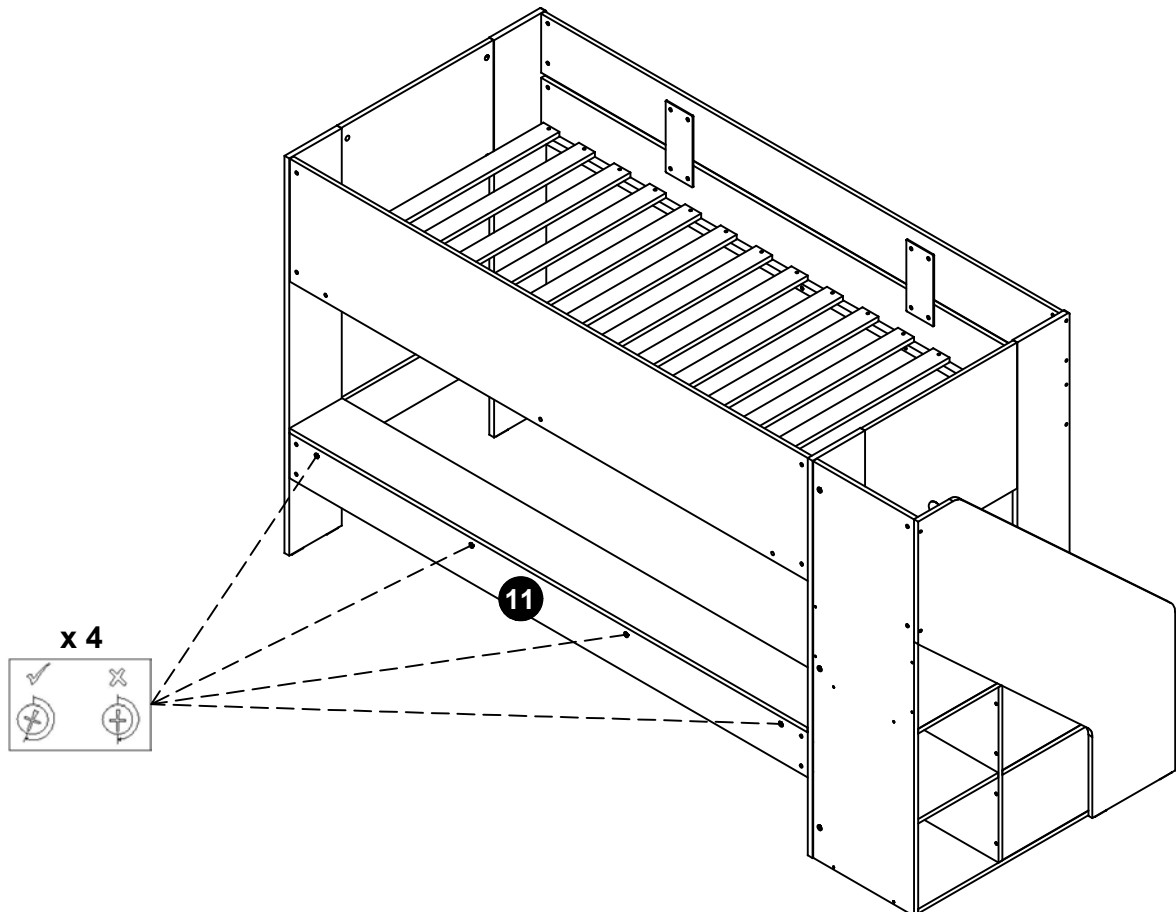


B x 4

Option B

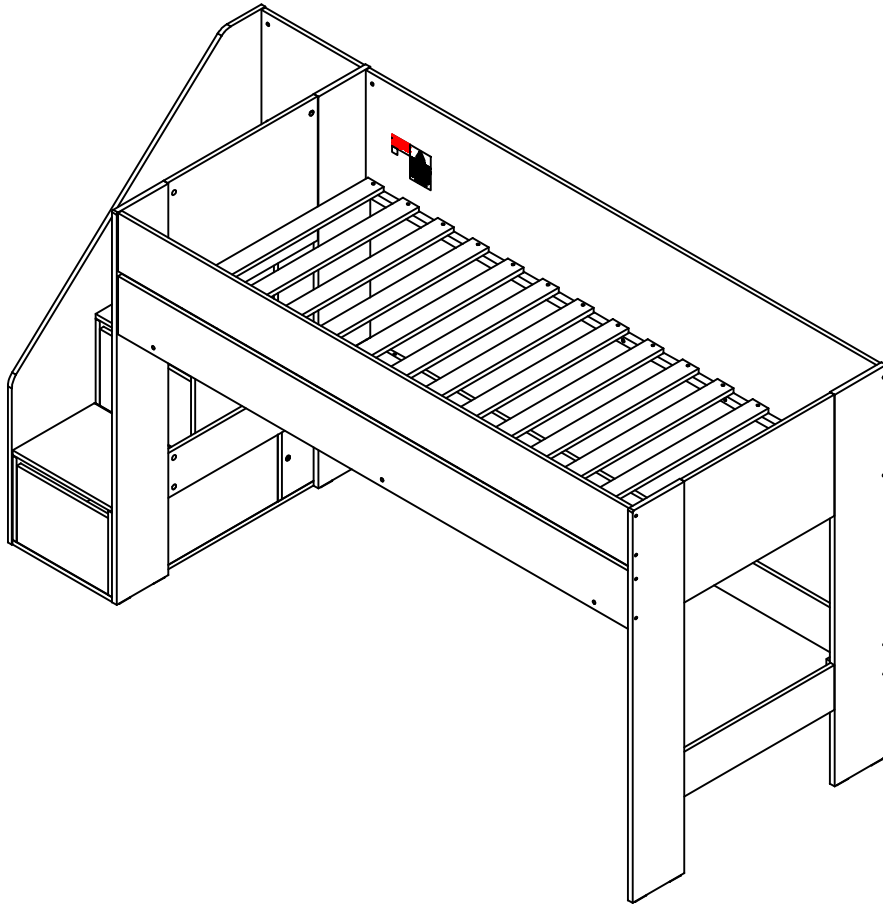


38



39

Option A



40

Option B

