

cuckoolandTM.com

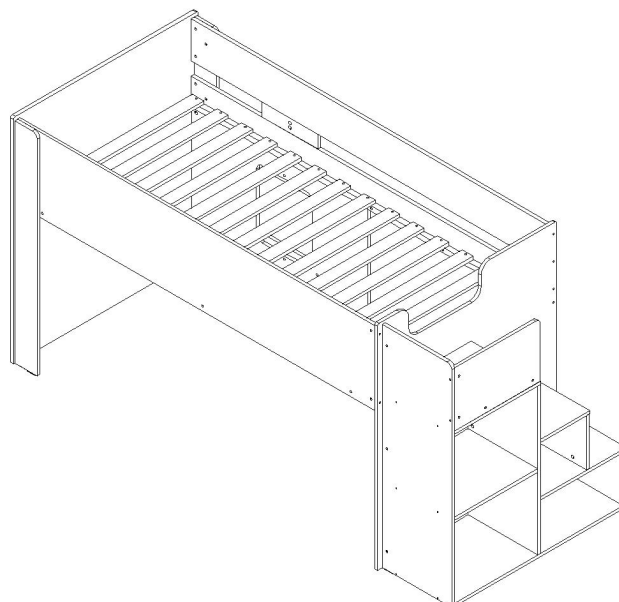
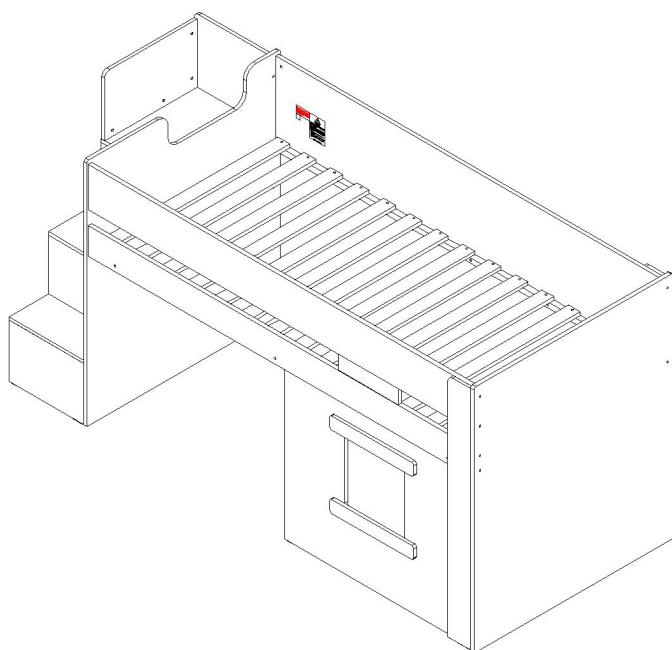
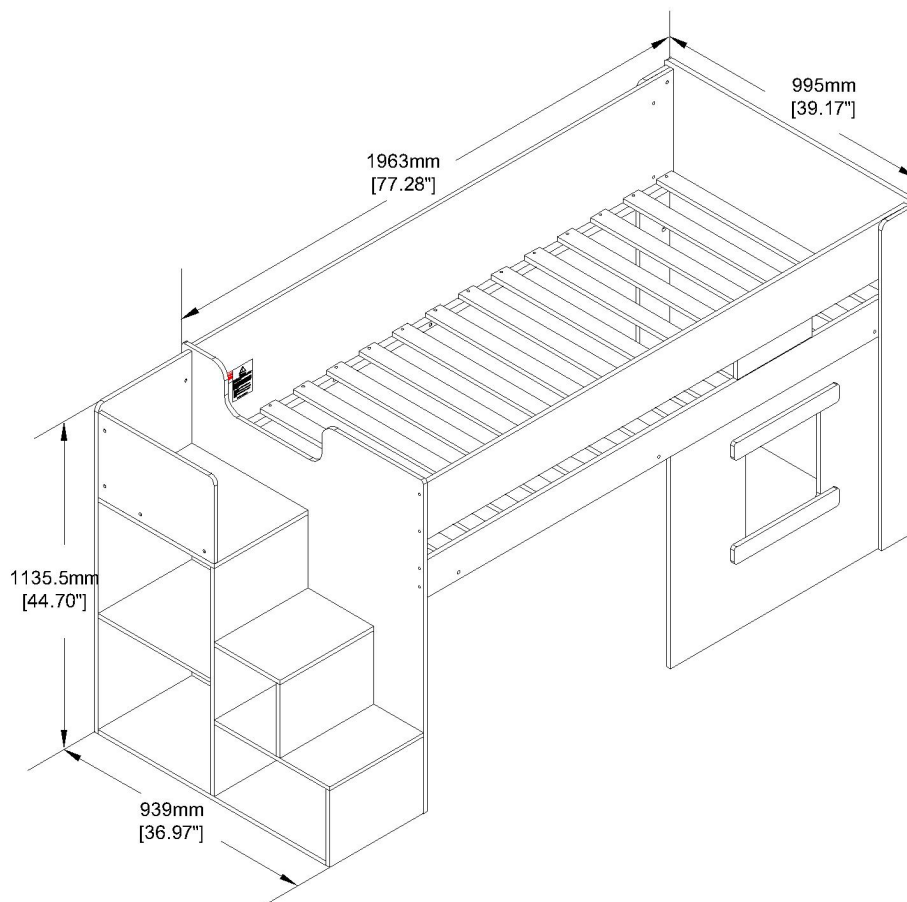
LIVE IN THE WOW

Marlowe Mid Sleeper
Assembly Instructions

Model : MG 7735

Product Size : 920mm x 1930mm (Base Int Size)

Thank you for purchasing this product. Before starting assembly we suggest you spend a short time reading through this leaflet, then follow the simple step by step guide. Two people are needed to assemble this product.



Model : MG 7735

Product Size : 920mm x 1930mm (Base Int Size)

TOP TIPS BEFORE YOU START !

IMPORTANT - READ CAREFULLY - RETAIN FOR FUTURE REFERENCE

1. Please check that all parts & hardware are present before you start the assembly of your furniture.
2. For ease and speed of assembly, we recommend that before you commence each step of the assembly, Please identify all the parts required for that step.
3. We recommend that where possible, all items are assembled near to the area in which they will be placed in use, to avoid moving the product unnecessarily once assembled.
4. For the protection of your furniture, particularly items of high gloss finish, we recommend that the product is placed on a Protected surface during assembly to prevent any damage.
5. During assembly please take care not to over-tighten any fittings, as this may damage the product.

CARE AND MAINTENANCE OF YOUR FURNITURE

- Please periodically check all fittings and re-tighten as necessary.
- To clean your item, please use a damp cloth and wipe clean.
- Never allow any kind of liquid to remain on your furniture. Absorption can cause wood to warp or finishes to de-laminate.
- Please do not place hot items (e.g hot drinks) directly on the wood surface.
- Please do not drag or pull your furniture.

IMPORTANT INFORMATION

1. Thickness of mattress should not exceed 184mm.
2. Children should be discouraged from playing on top of this bunk bed.
3. The bunk bed should be checked periodically by the owner to ensure that the guardrail, ladder, and other components are maintained in the correct position and state of repair and that all connectors are tight.
4. A bunk bed is not to be placed near a ceiling fan unless the distance between the closest points on the ceiling fan bunk Bed is at least 2 metres.
5. Use guardrails on both sides of upper bunk.
6. Prohibit horseplay on or under bed(s).
7. Prohibit more than one person on upper bunk.
8. Use Ladder for entering and leaving upper bunk.
9. If the bunk bed will be placed next to the wall, the guardrail that runs the full length of the bed should be placed against The wall to prevent entrapment between the bed and the wall.
10. **WARNING** Do not use the bunk bed/high bed if any structural part is broken or missing.
11. Ventilation of the room is necessary in order to keep the humidity low and to prevent mould in and around the bed.
12. **WARNING** "high beds & the upper bed of bunk beds are not suitable for children under six years due to risk of injury from falls";
13. **WARNING** "children can become trapped between the bed & the wall, a roof pitch, the ceiling, adjoining pieces of furniture (e.g.cupboard) and the like. To avoid risk of serious injury the distance between the top safety barrier and the adjoining structure shall not exceed 75mm nor shall be more than 230mm"
14. always follow the manufacturer's instruction;
15. Recommended Mattress Size : 90cm x 190cm (UK Single) with Maximum Depth of 18.4cm
16. This item conforms to European Safety Standards - BS EN 747-1 : 2012 + A1 : 2015 & BS EN 747-2 : 2012 + A1 : 2015
17. **WARNING** "Bunk beds and high beds can present a serious risk of injury from strangulation if not used correctly. Never attach or hang items to any part of the bunk bed that are not designed to be used with the bed, for example, but not limited to ropes, strings, cords, hooks, belts and bags"
18. High beds and the upper bed of bunk beds is suitable for a maximum mattress thickness of 184mm. The top of mattress must not come above the line marked on the bed.

STRANGULATION HAZARD:

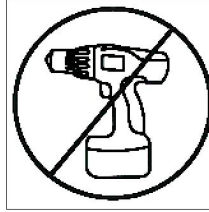
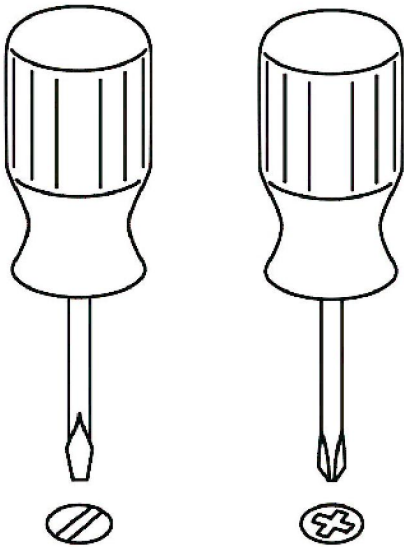
19. Never attach or hang items to any part of the bunk bed that are not designed for use with the bed for example, but not limited to hook, belt and jump ropes.

Guide To Assembly

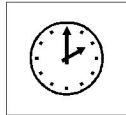
Model : MG 7735

Tools Required For Assembly

Phillips Screw Driver



DO NOT USE POWER TOOLS TO ASSEMBLE THIS PRODUCT. USE OF POWER TOOLS WILL INVALIDATE ANY CLAIM AND MAY DAMAGE THIS PRODUCT MAKING IT UNSAFE.

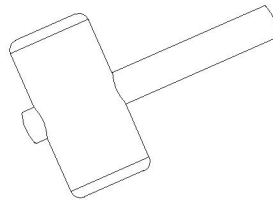


Approximately 3 hour

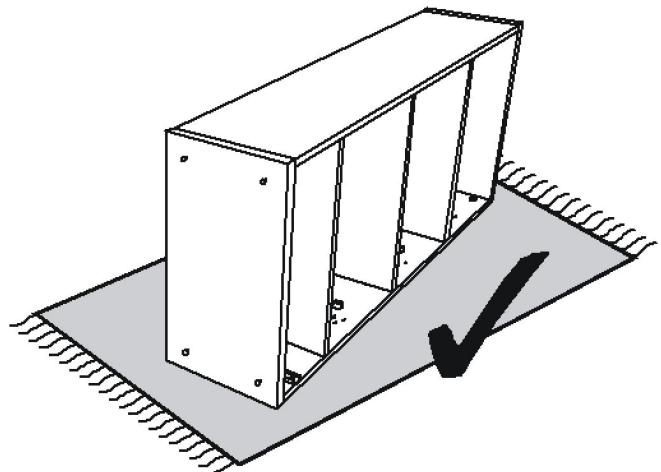
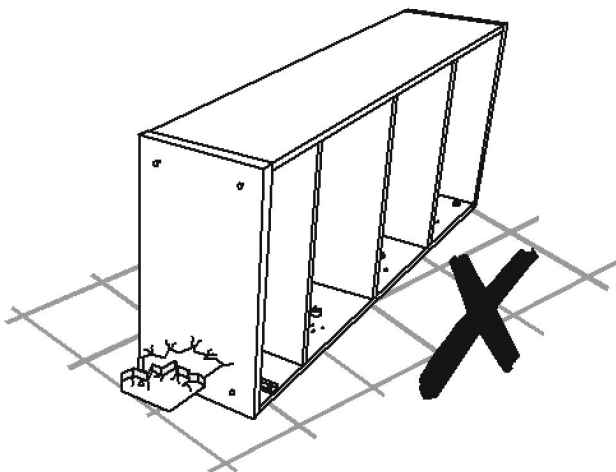
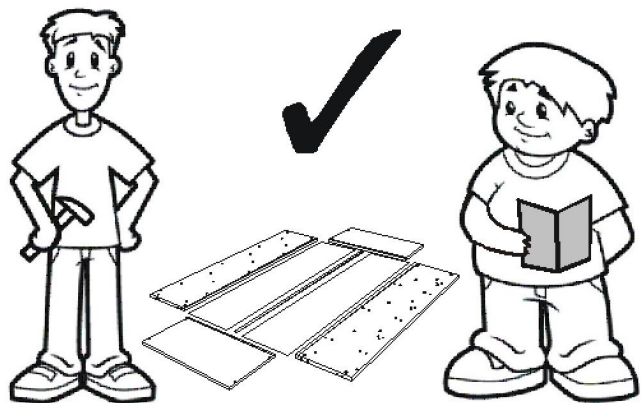
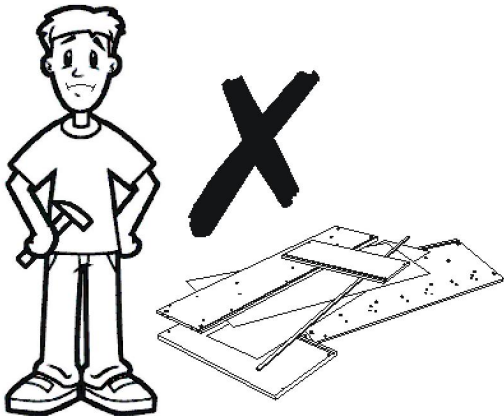
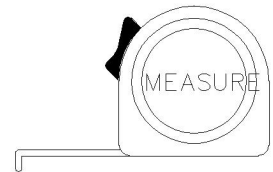


2 People Required

Rubber Hammer



Tape Measure



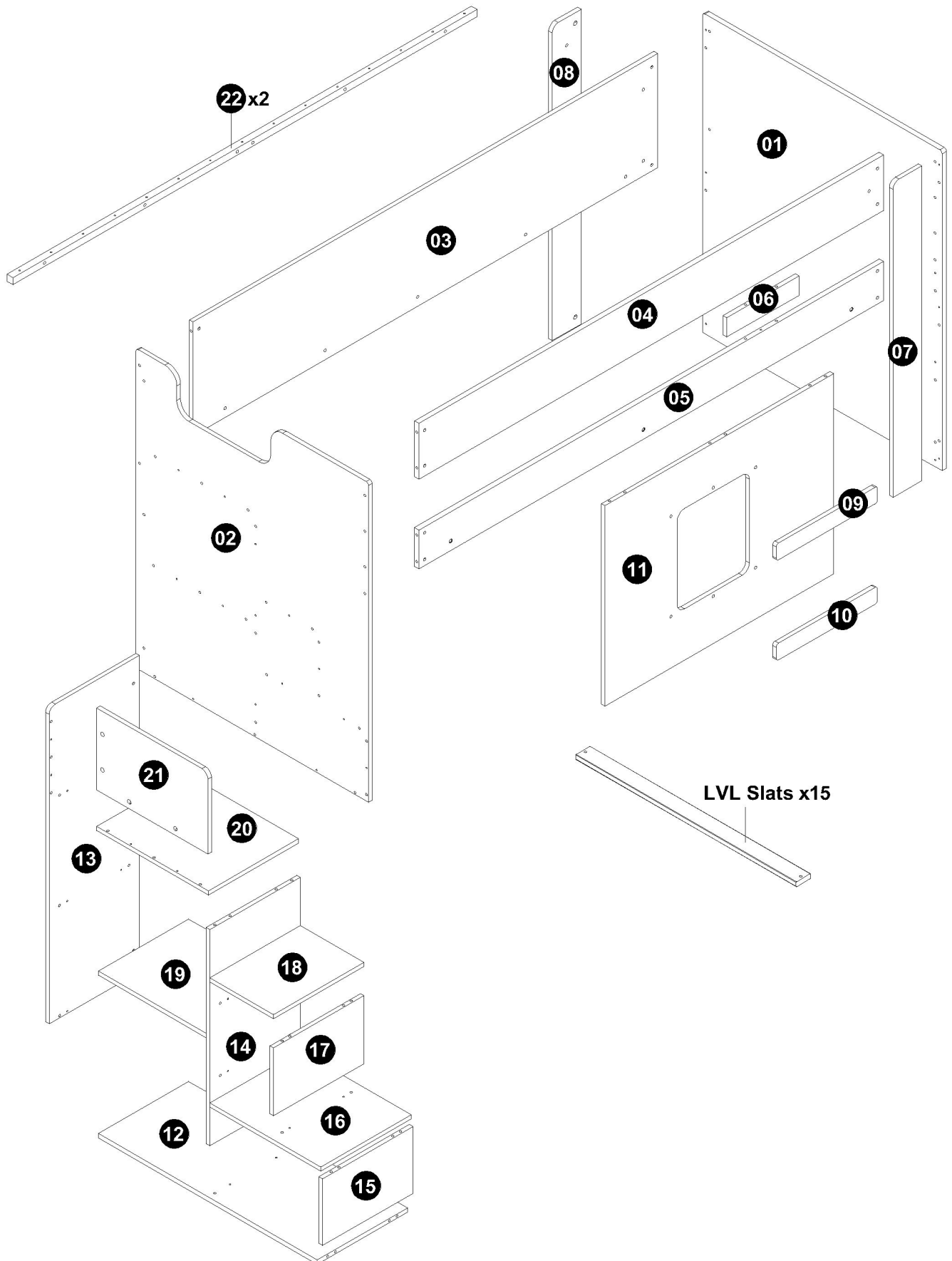
Part List

Model : MG 7735

Carton 1 of 3			Carton 3 of 3		
No.	Part Name	Pcs	No.	Part Name	Pcs
03	Side Panel (Back)	1	07	Side Panel (Right)	1
04	Side Panel (Front Upper)	1	08	Side Panel (Left)	1
05	Side Panel (Front Bottom)	1	12	Ladder Support Panel (Bottom)	1
06	Side Panel (Front Middle)	1	13	Ladder Support Panel (Back)	1
22	Side Rail	2	14	Ladder Support Panel (Middle)	1
	LVL Slats	15	15	Ladder Support Panel (Front)	1
Assembly Instructions + Fitting List			16	Ladder 1st Step Panel	1
			17	Ladder 2nd Step Support Panel	1
Carton 2 of 3			18	Ladder 2nd Step Panel	1
			19	Ladder Cabinet Panel	1
01	Side Panel (Right)	1	20	Ladder 3rd Step Panel	1
02	Side Panel (Left)	1	21	Ladder Side Panel	1
09	Window Panel (Upper)	1			
10	Window Panel (Bottom)	1			
11	Side Support Panel (Bottom)	2			

Part List

Model : MG 7735

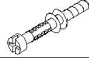

















Fitting List

Model : MG 7735

Carton 1 of 3

Fitting List

No.	Part Name		Pcs
A	Cam Stud (small)		44
B	Cam		44
C	M8 x 25mm Wood Dowel		63
D	45mm Chipboard Screw		8
E	14mm Chipboard Screw		16
F	L Bracket		4
G	M6 x 13mm Baller		8
H	M6 JCN Nut		6
J	M6 Round Nut		11
K	M6 x 50mm Allen Bolt		19
L	M6 x 35mm Allen Bolt		10
M	M6 x 30mm Allen Bolt		30
N	M6 x 25mm Allen Bolt		12
P	M6 Allen Wrench		2
Q	Felt Pads (45 x 14 mm)		18
R	Sticker (25mm)		12

Caution

There are many small components used in the construction of this unit. These loose items should be kept away from young children whilst assembling your unit. As an extra precaution, screw cover caps should be permanently fixed in position. (Where applicable)

USEFUL HINTS & TIPS

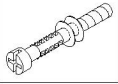
Two people will be required to assemble this unit

Please keep this assembly instruction for future reference

Guide To Assembly

Model : MG 7735

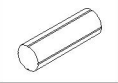
1



A x 10



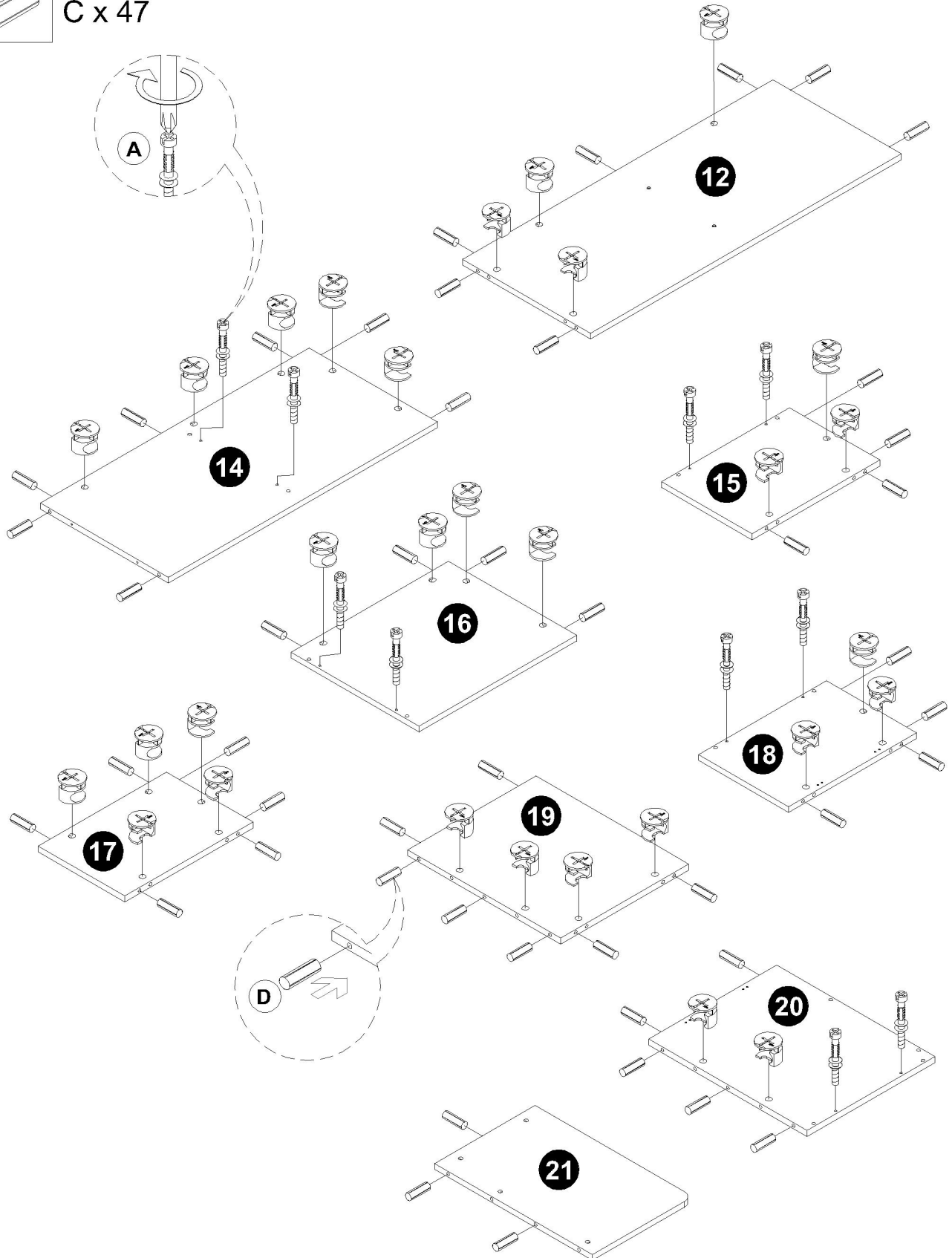
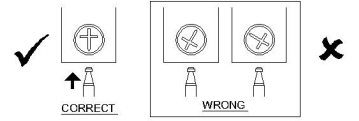
B x 30



C x 47

WHEN FITTING CAMS

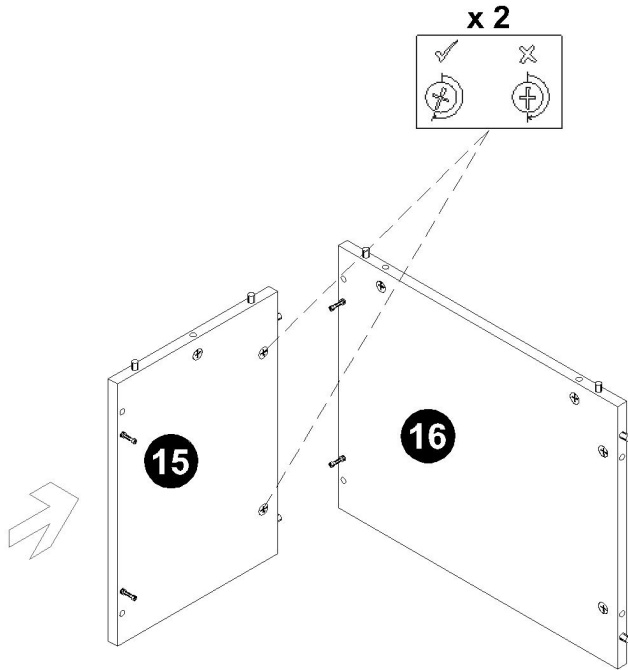
ENSURE STARTING POSITION IS CORRECT
BEFORE YOU INSERT CONNECTING BOLT
TURN CLOCKWISE UNTIL SECURE



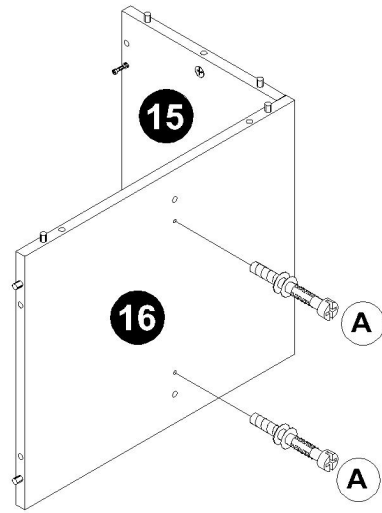
Guide To Assembly

Model : MG 7735

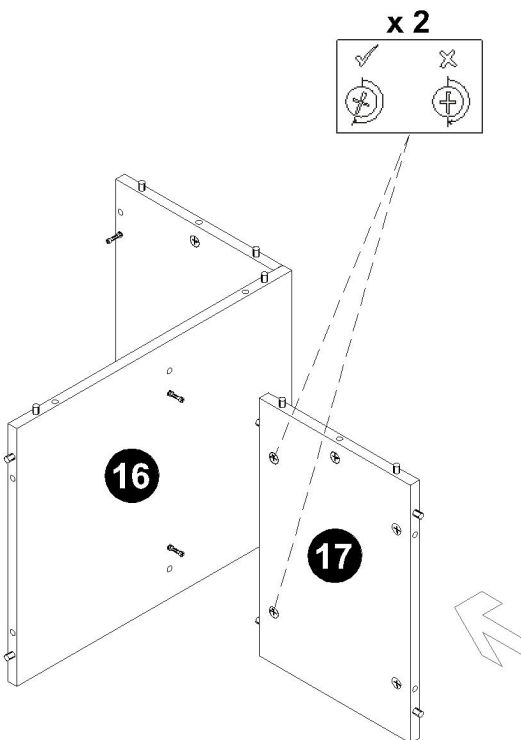
2



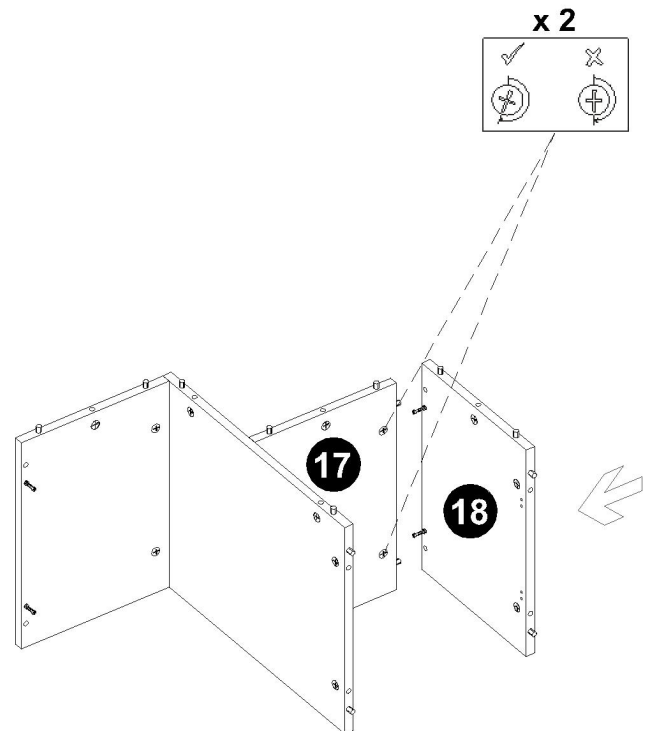
3



4



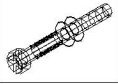
5



Guide To Assembly

Model : MG 7735

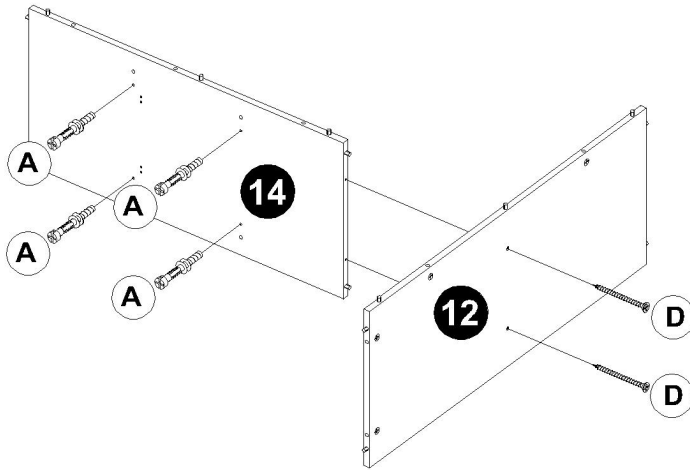
6



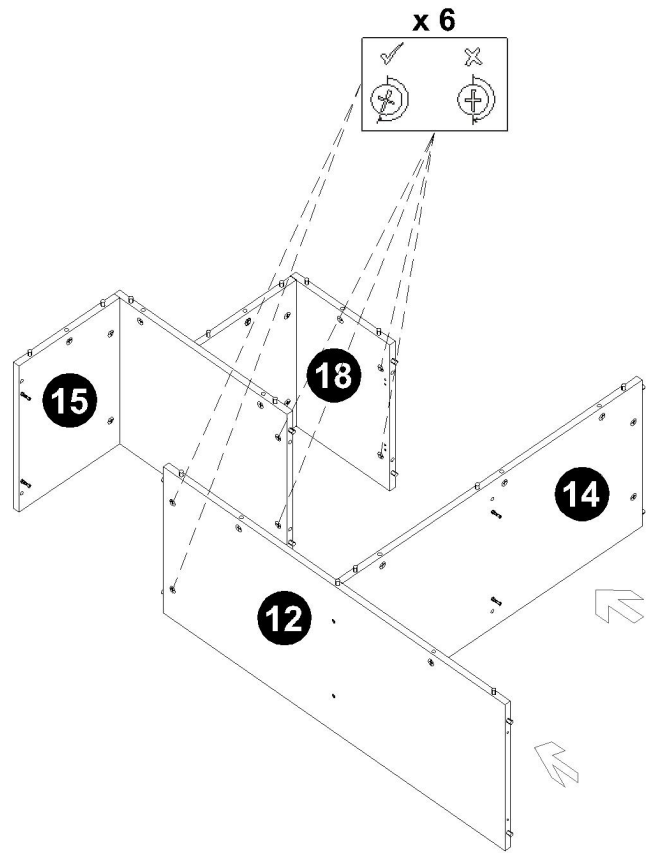
A x 4



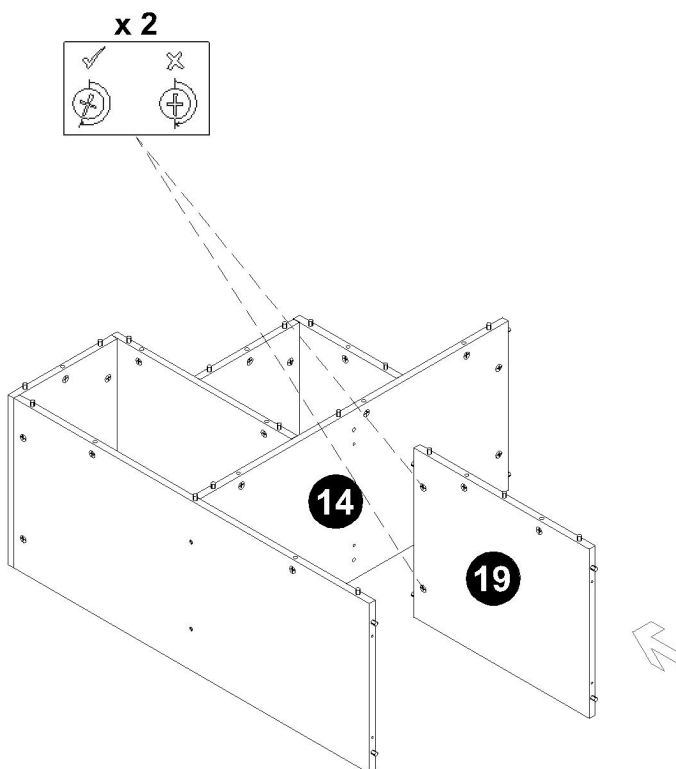
D x 2



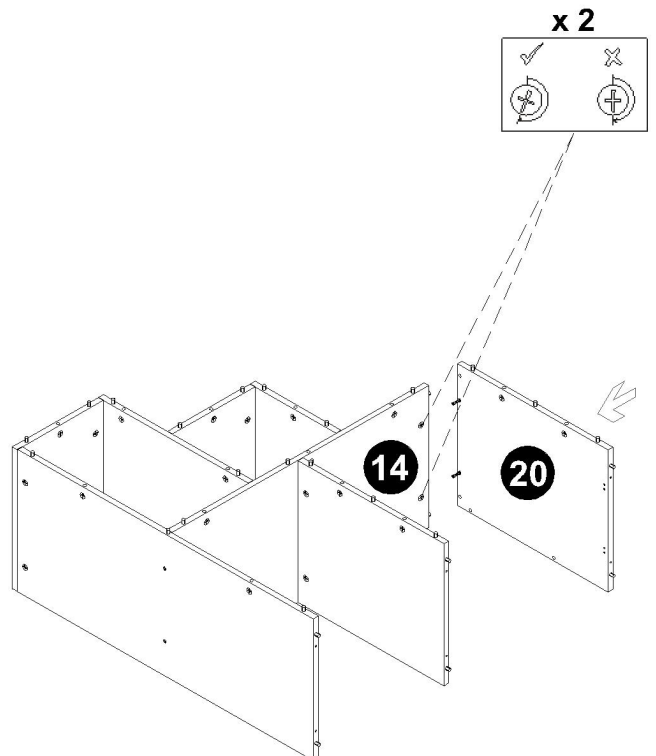
7



8



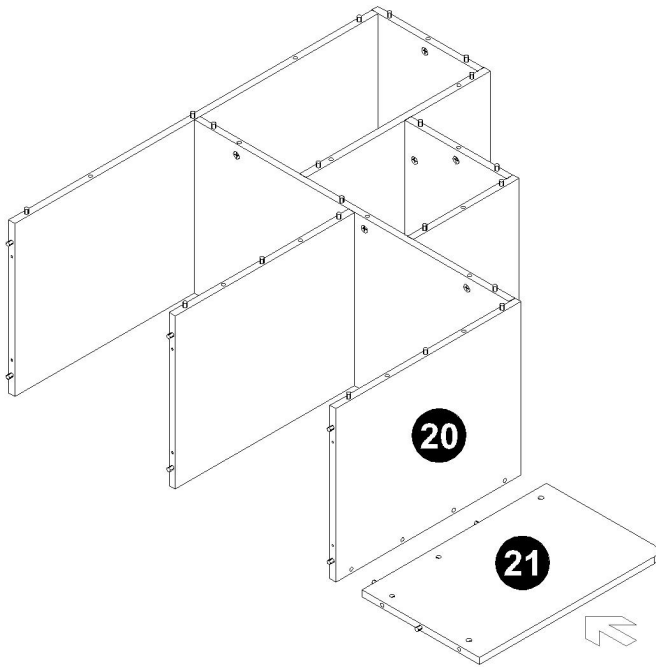
9



Guide To Assembly

Model : MG 7735

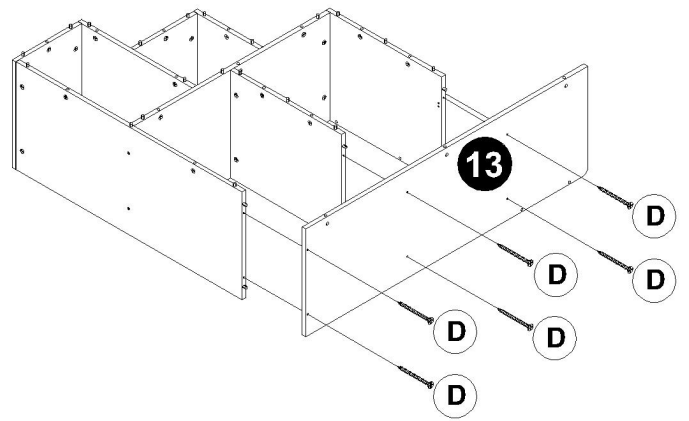
10



11



D x 6



12



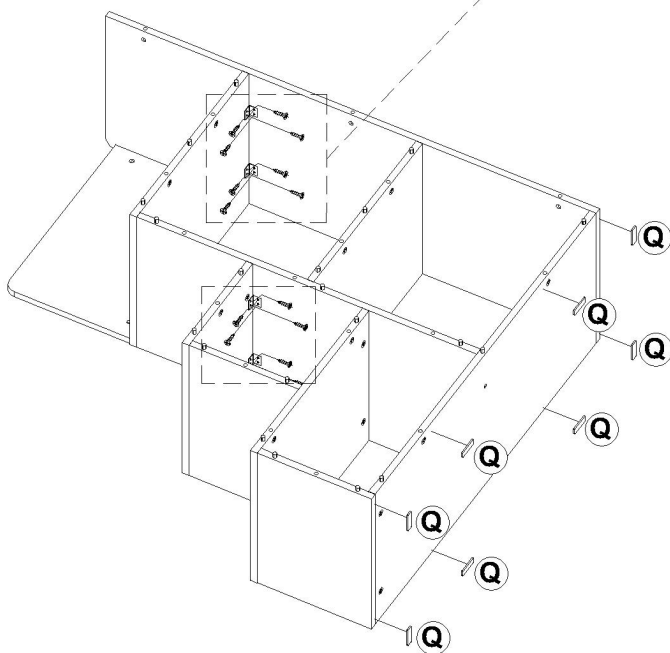
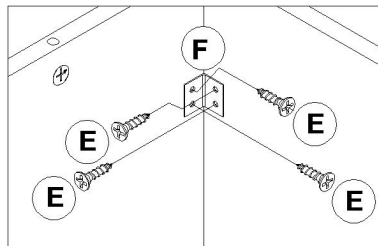
E x 16



F x 4



Q x 8



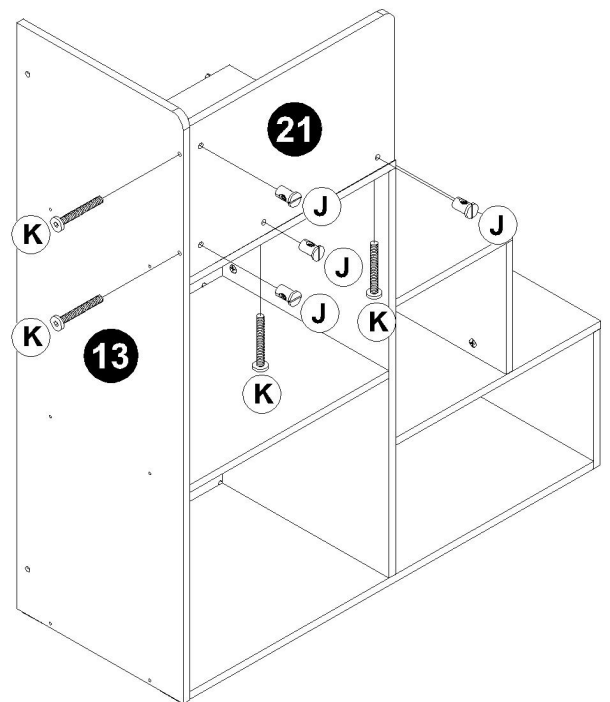
13



K x 4



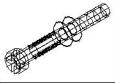
J x 4



Guide To Assembly

Model : MG 7735

14



A x 28



B x 14



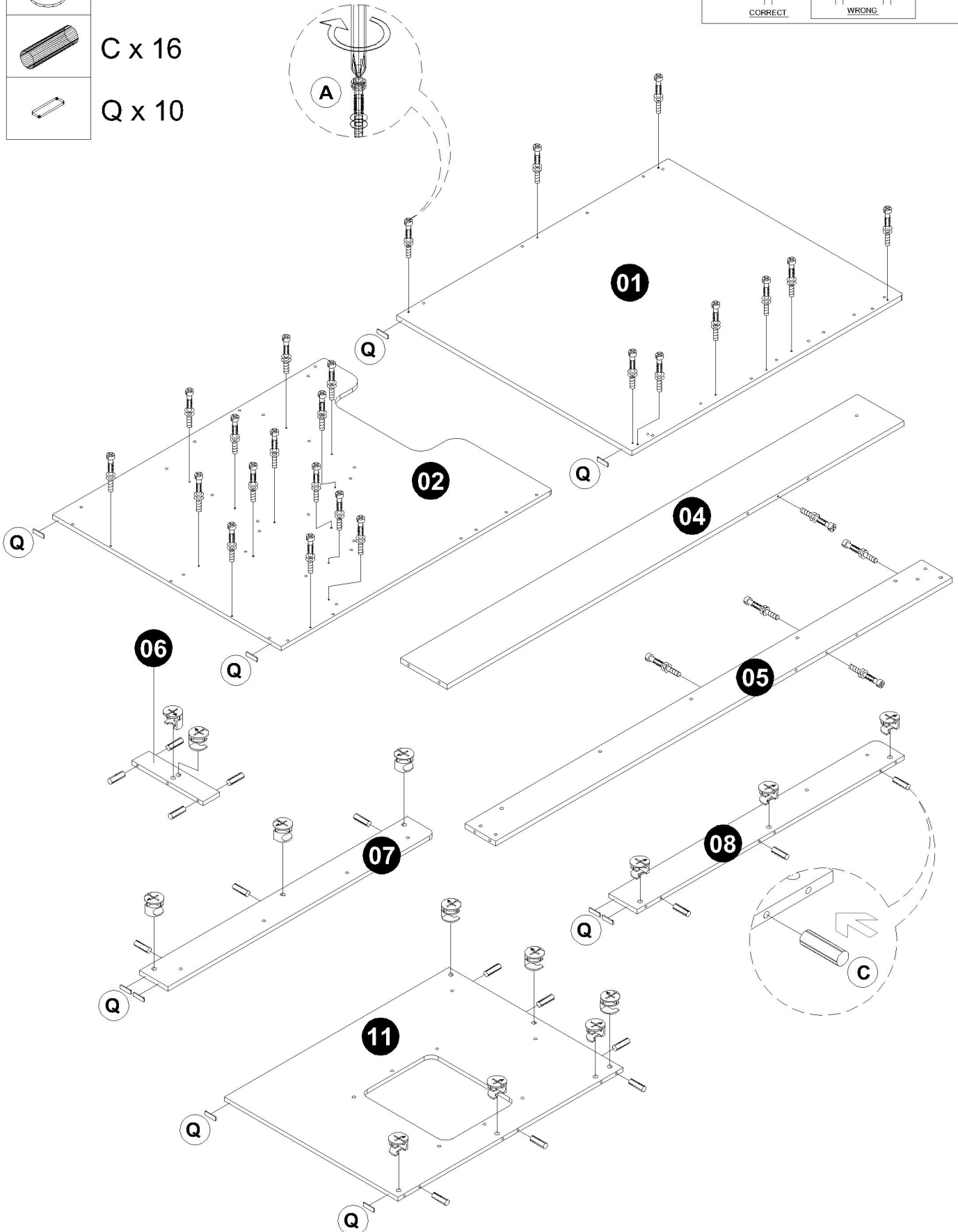
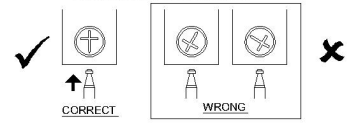
C x 16



Q x 10

WHEN FITTING CAMS

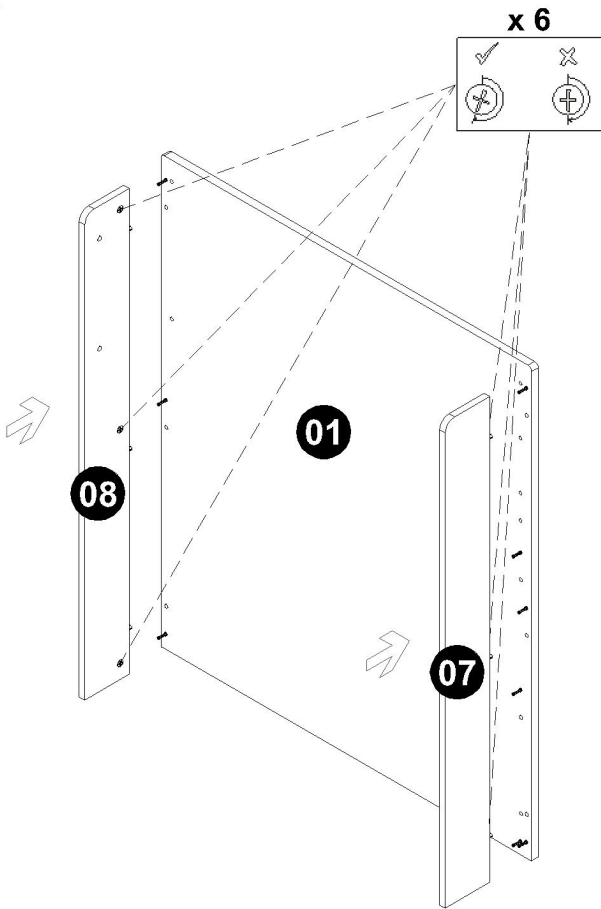
ENSURE STARTING POSITION IS CORRECT
BEFORE YOU INSERT CONNECTING BOLT
TURN CLOCKWISE UNTIL SECURE



Guide To Assembly

Model : MG 7735

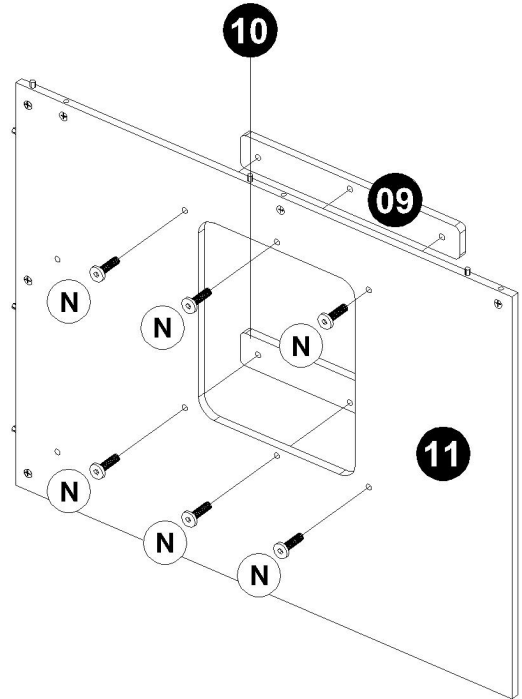
15



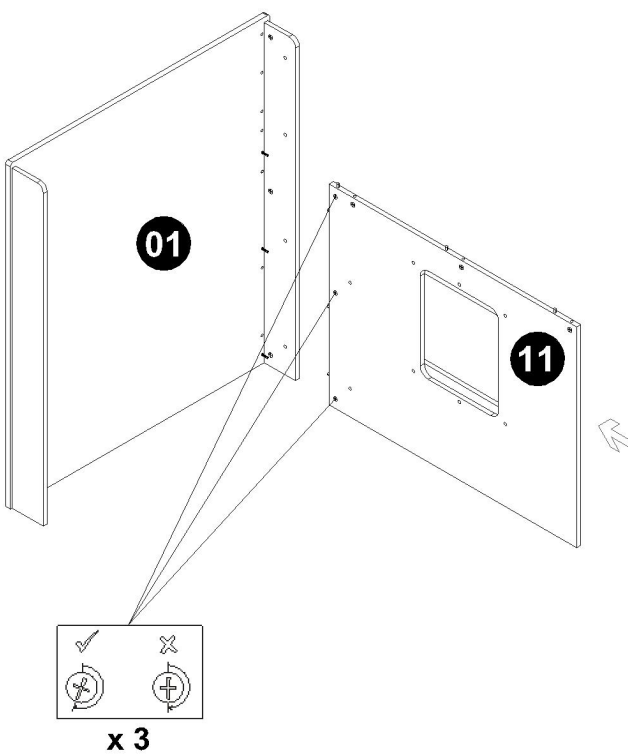
16



N x 6



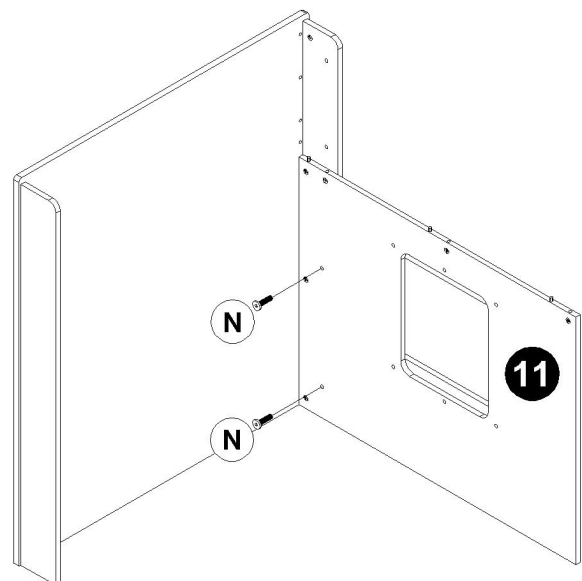
17



18



N x 2



Guide To Assembly

Model : MG 7735

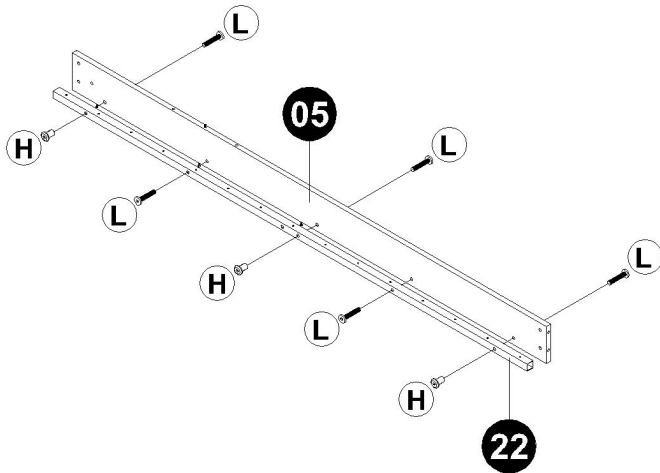
19



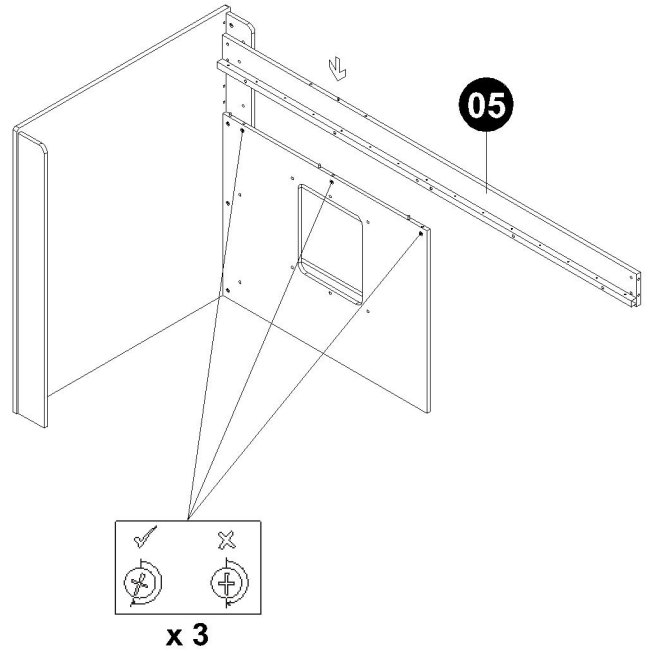
H x 3



L x 5



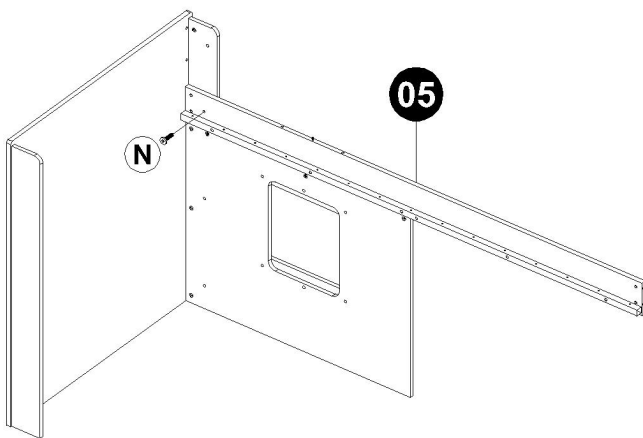
20



21



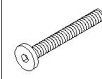
N x 1



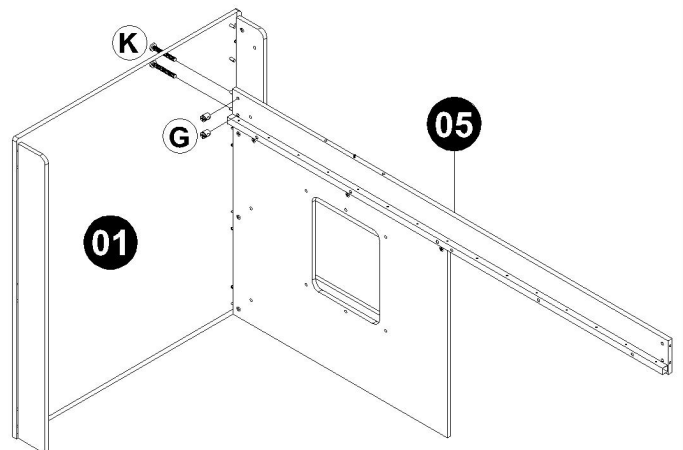
22



G x 2



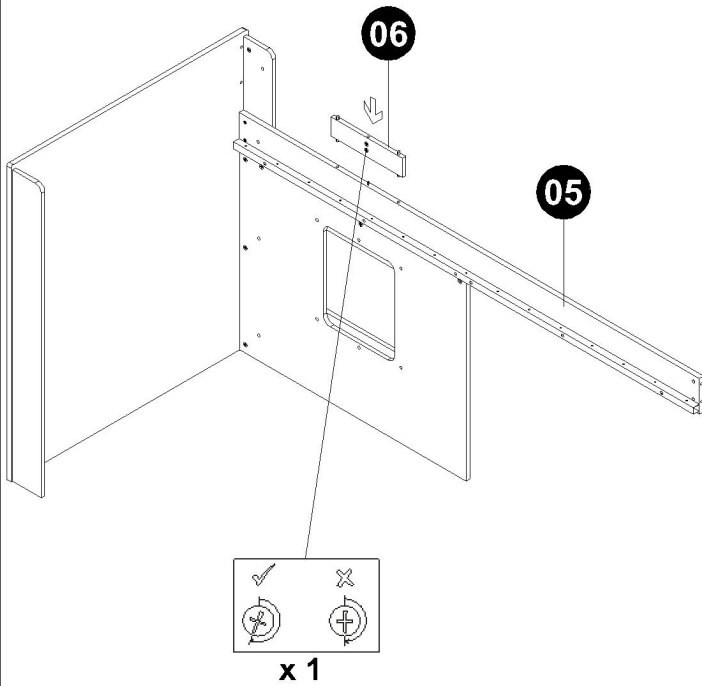
K x 2



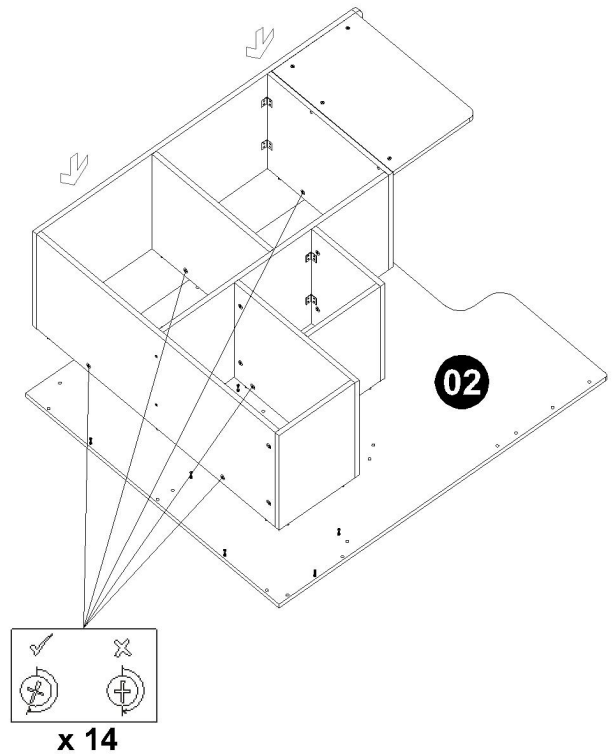
Guide To Assembly

Model : MG 7735

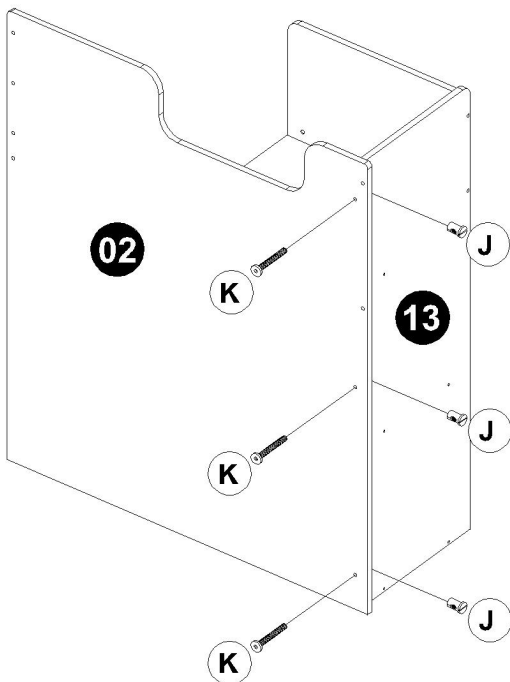
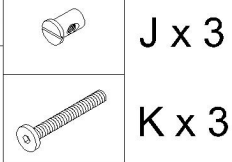
23



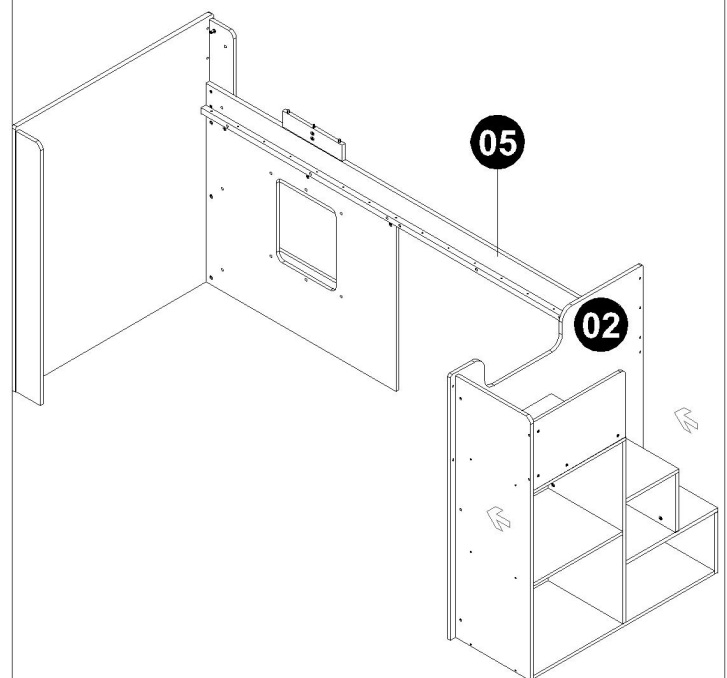
24



25



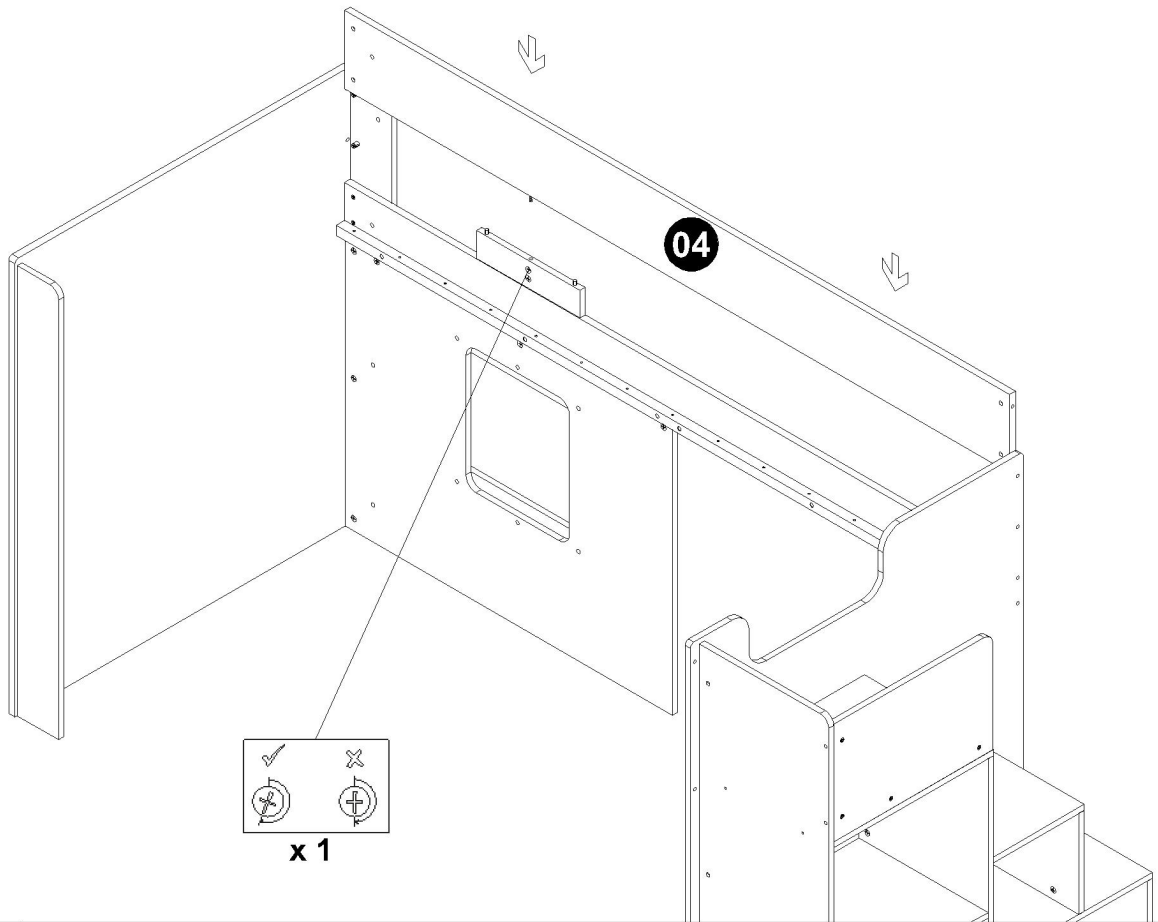
26



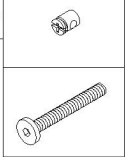
Guide To Assembly

Model : MG 7735

27

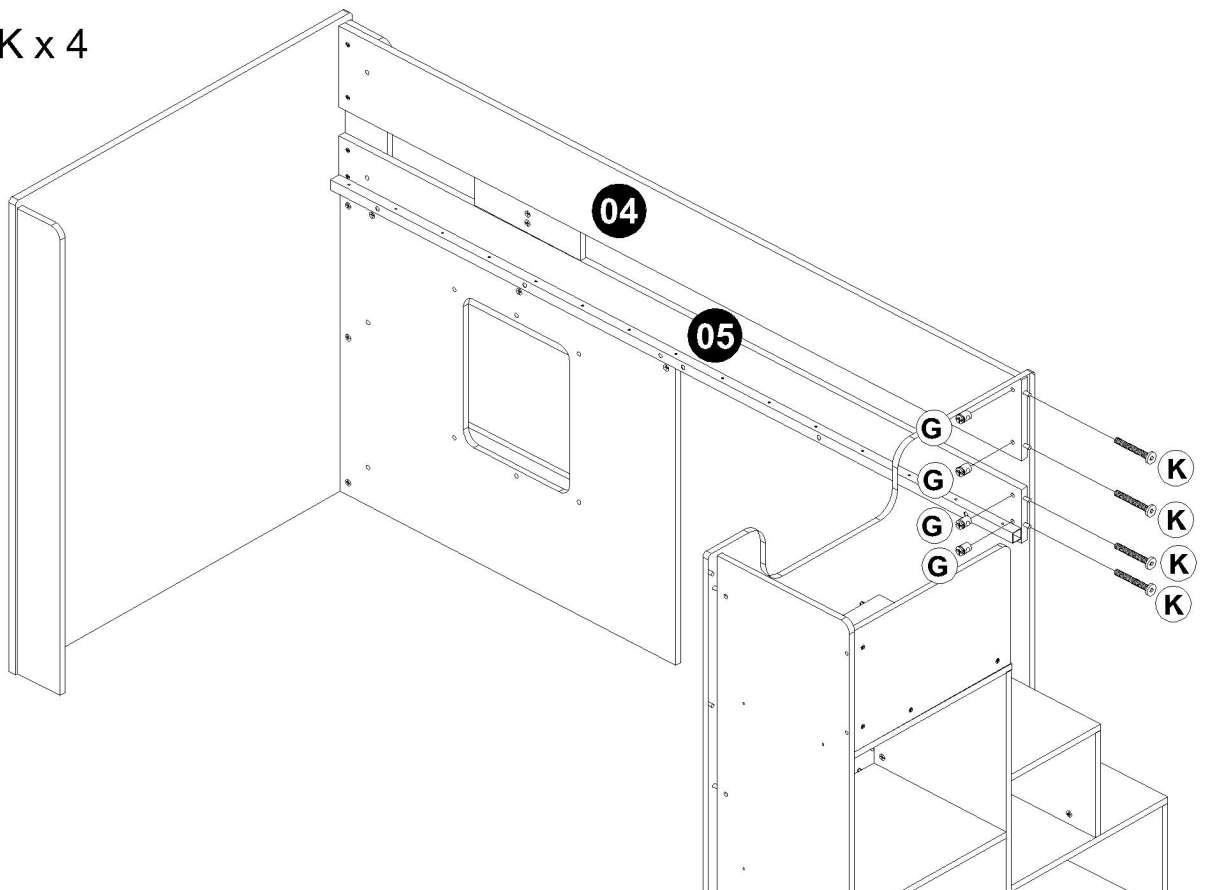


28



G x 4

K x 4



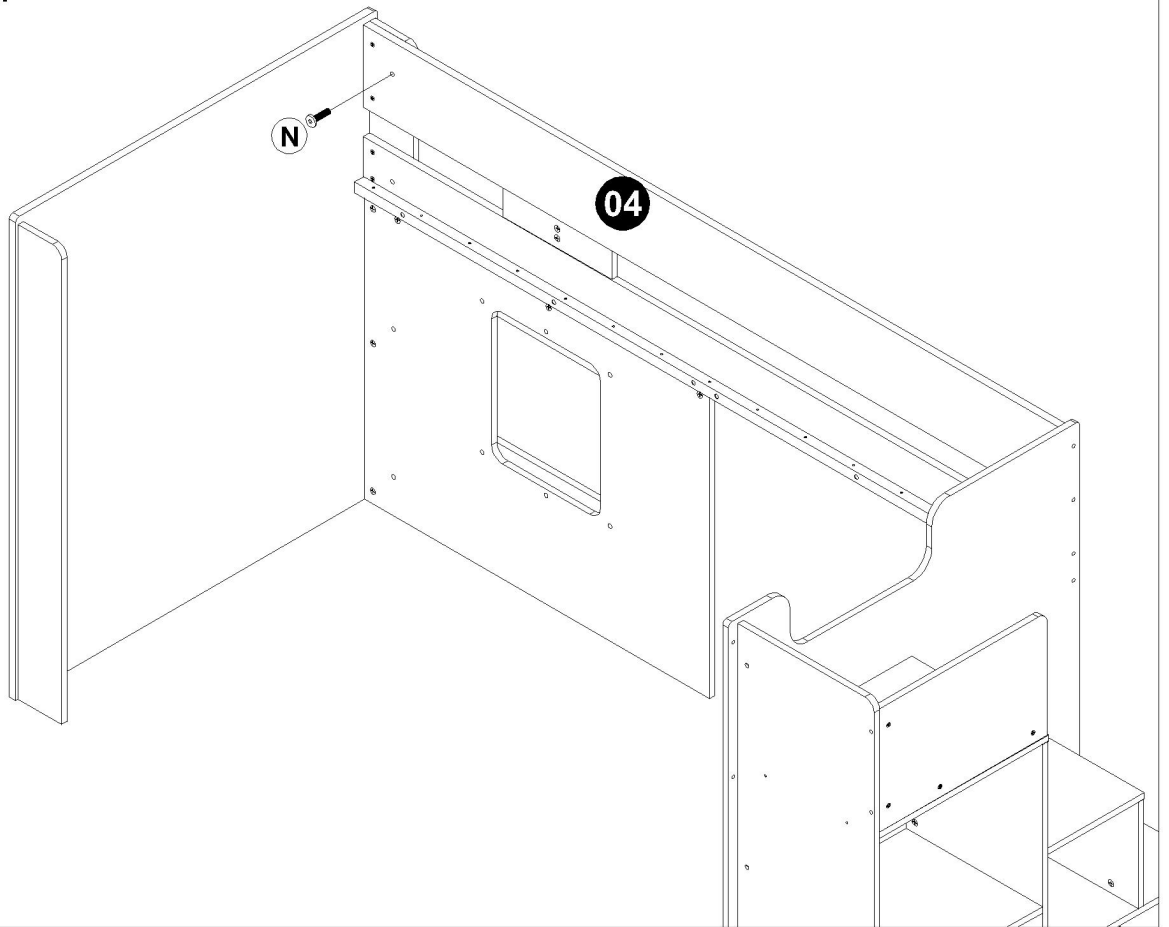
Guide To Assembly

Model : MG 7735

29



N x 1



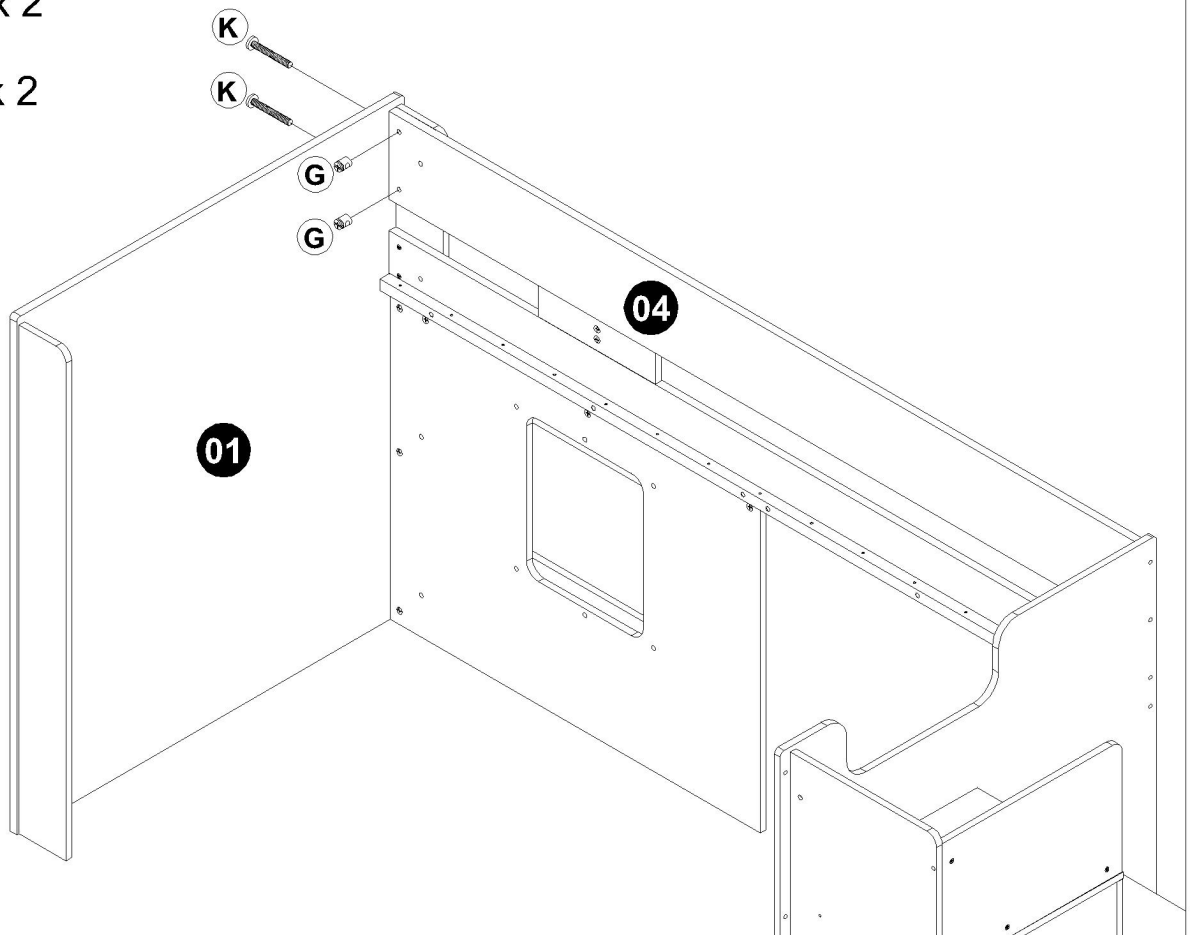
30



G x 2





K x 2

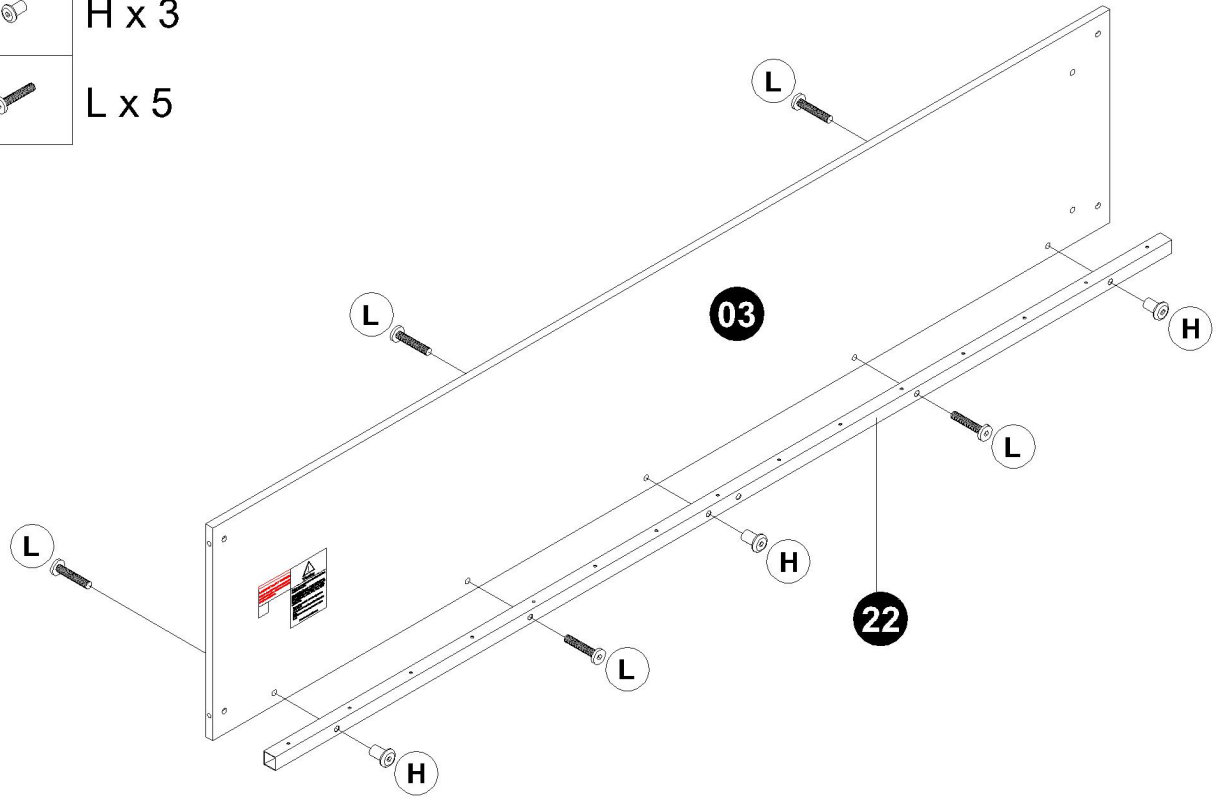


Guide To Assembly




Model : MG 7735

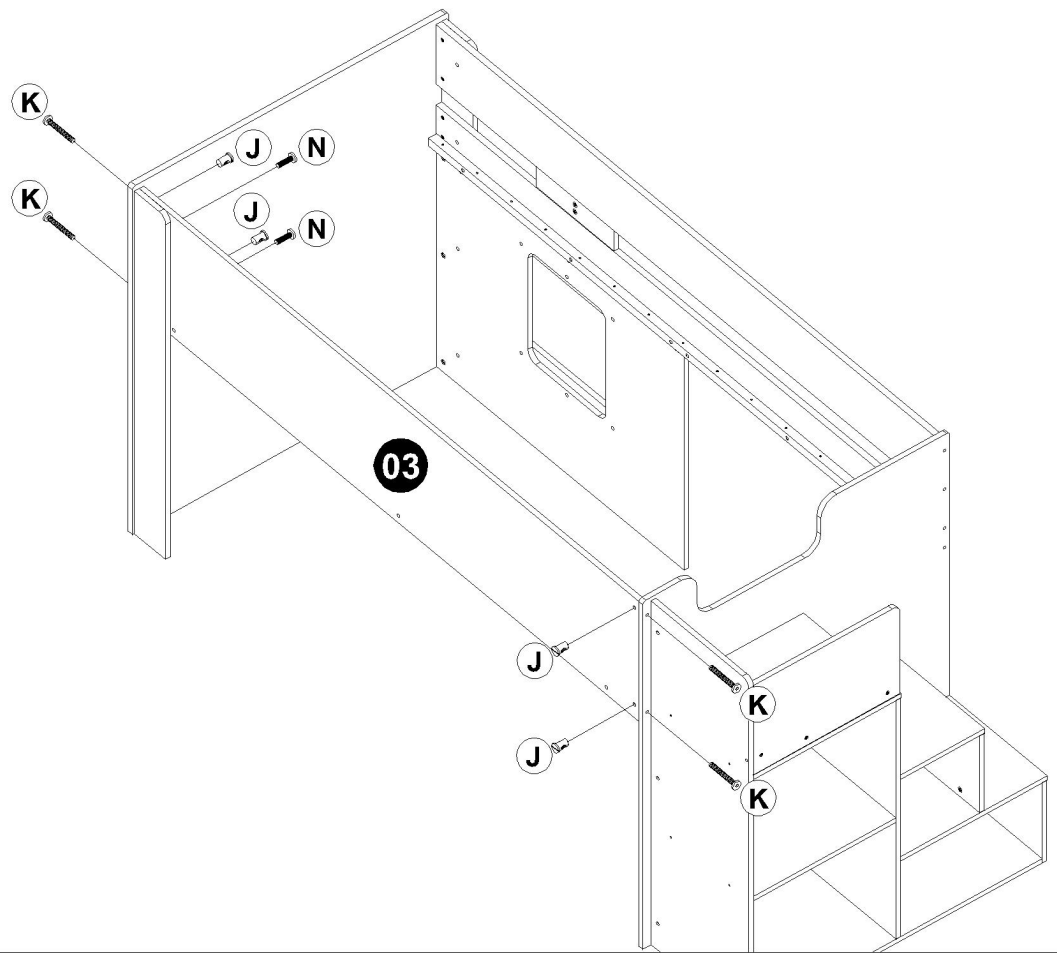
31

-  H x 3
-  L x 5



32

-  J x 4
-  K x 4
-  N x 2



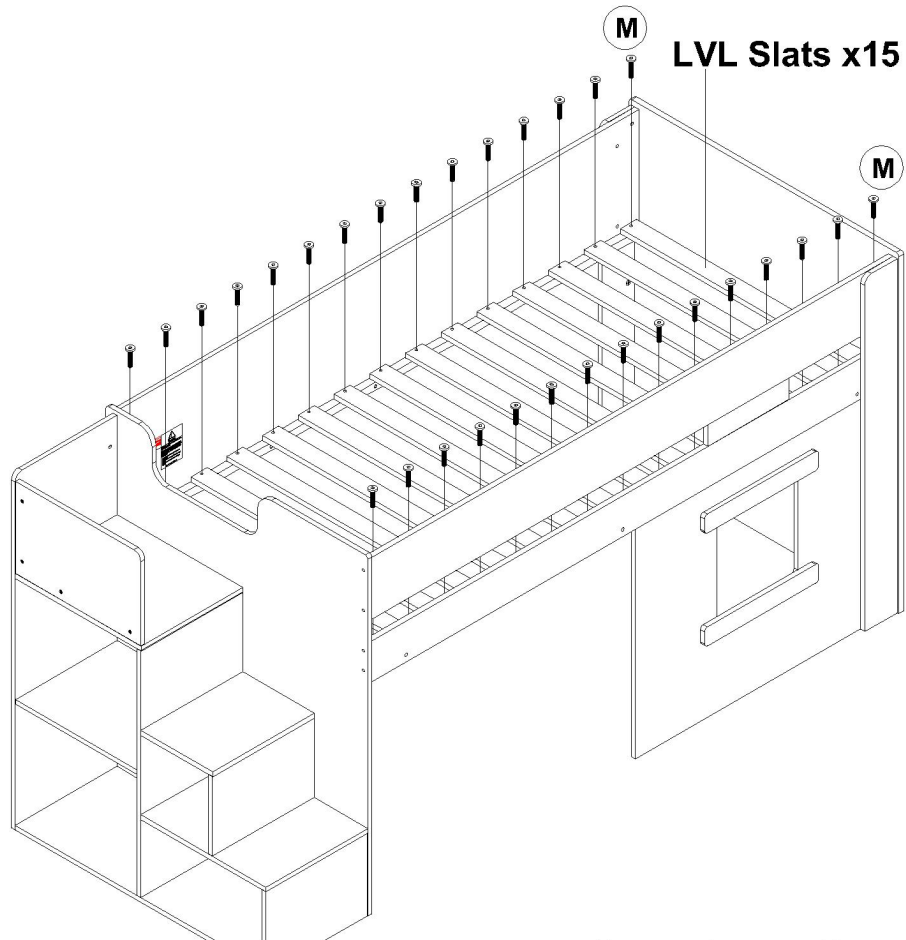
Guide To Assembly

Model : MG 7735

33



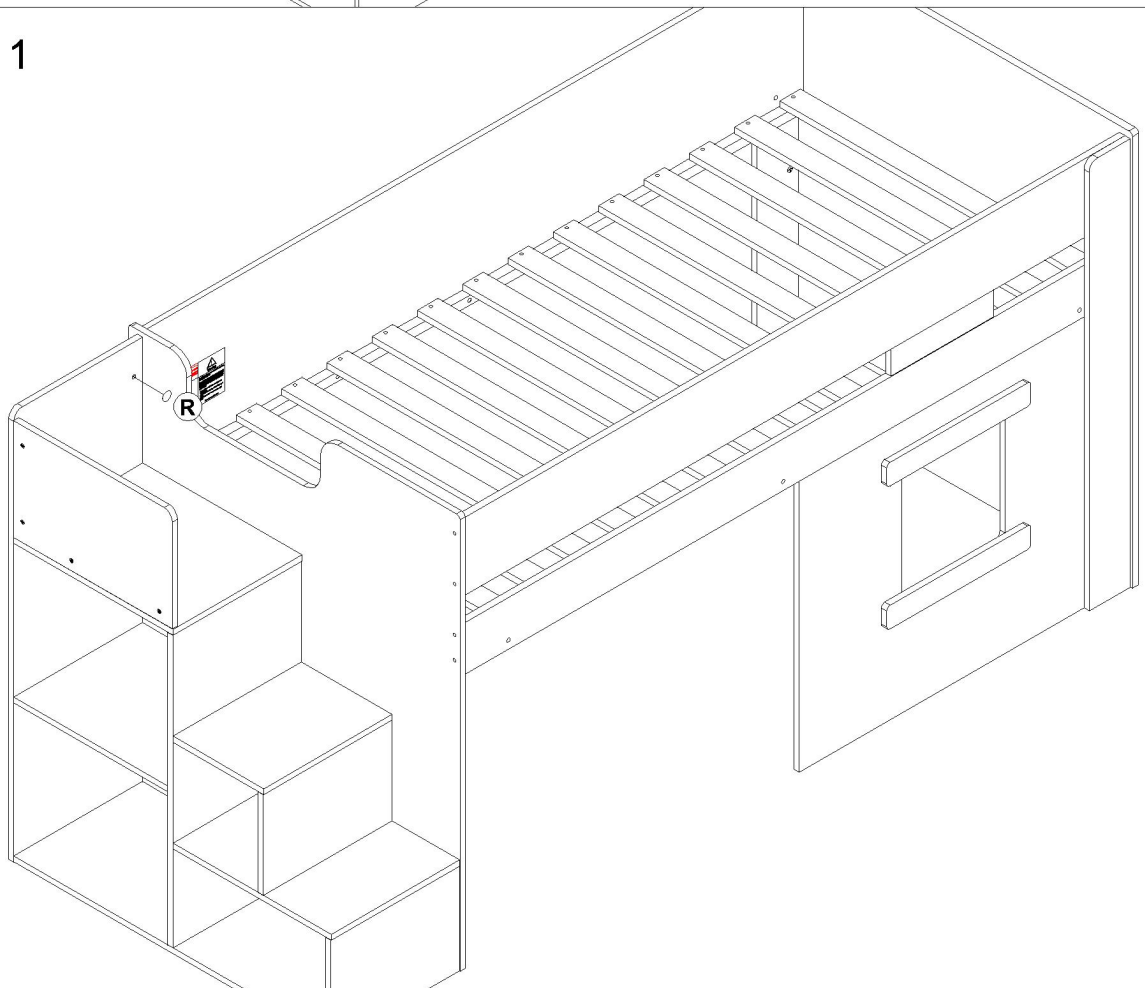
M x 30



34



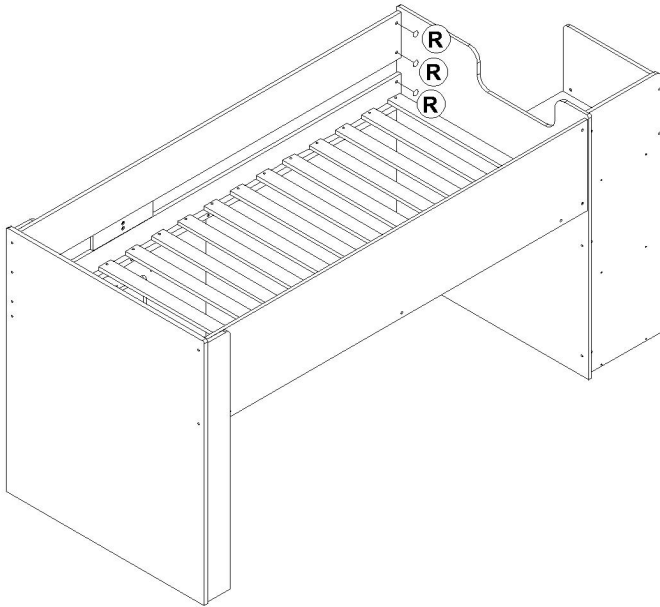
R x 1



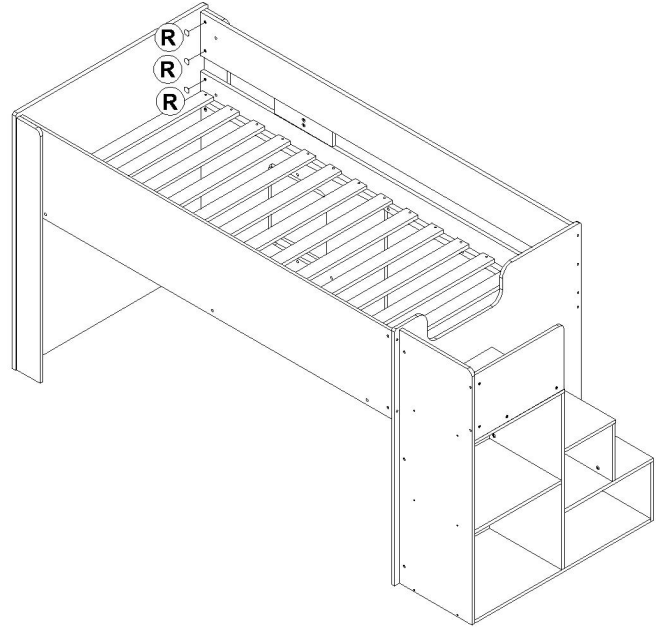
Guide To Assembly

Model : MG 7735

35 ○ R x 3



36 ○ R x 3



37 ○ R x 5

