

cuckoolandTM.com

LIVE IN THE WOW

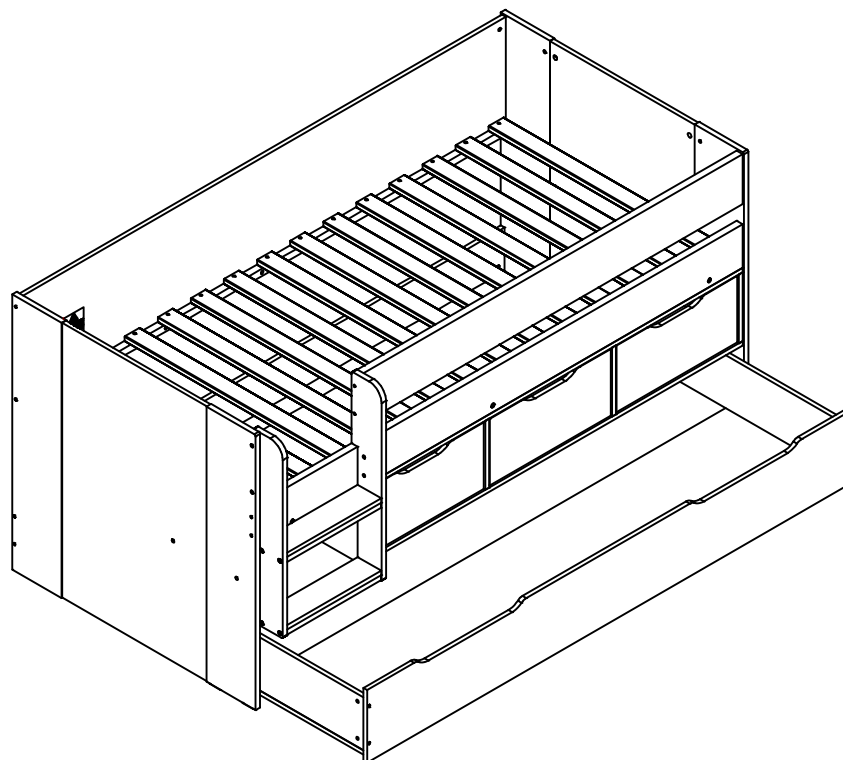
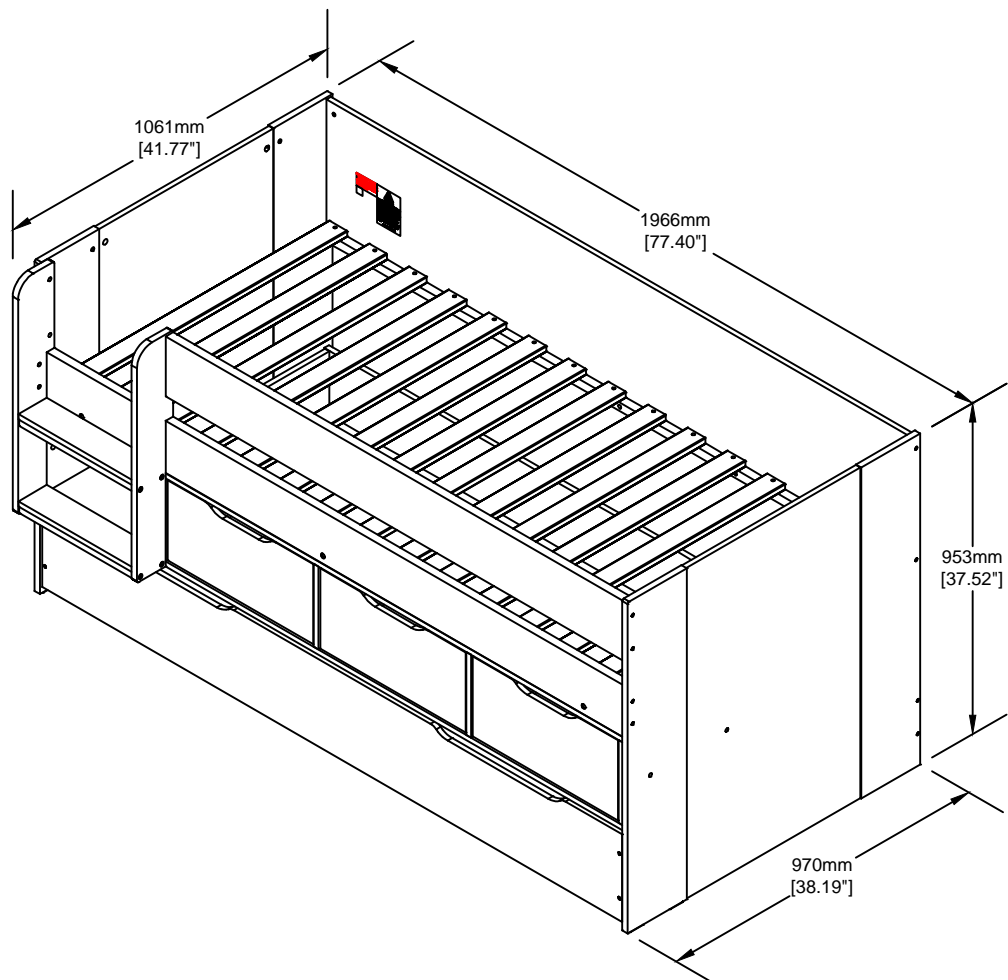
Lars Low Cabin

Assembly Instructions

Model : MG 7777

Product Size : 920mm x 1930mm (Base Int Size)

Thank you for purchasing this product. Before starting assembly we suggest you spend a short time reading through this leaflet, then follow the simple step by step guide. Two people are needed to assemble this product.



Model : MG 7777

Product Size : 920mm x 1930mm (Base Int Size)

TOP TIPS BEFORE YOU START !

IMPORTANT - READ CAREFULLY - RETAIN FOR FUTURE REFERENCE

1. Please check that all parts & hardware are present before you start the assembly of your furniture.
2. For ease and speed of assembly, we recommend that before you commence each step of the assembly, Please identify all the parts required for that step.
3. We recommend that where possible, all items are assembled near to the area in which they will be placed in use, to avoid moving the product unnecessarily once assembled.
4. For the protection of your furniture, particularly items of high gloss finish, we recommend that the product is placed on a Protected surface during assembly to prevent any damage.
5. During assembly please take care not to over-tighten any fittings, as this may damage the product.

CARE AND MAINTENANCE OF YOUR FURNITURE

- Please periodically check all fittings and re-tighten as necessary.
- To clean your item, please use a damp cloth and wipe clean.
- Never allow any kind of liquid to remain on your furniture. Absorption can cause wood to warp or finishes to de-laminate.
- Please do not place hot items (e.g hot drinks) directly on the wood surface.
- Please do not drag or pull your furniture.

IMPORTANT INFORMATION

1. Thickness of mattress should not exceed 184mm.
2. Children should be discouraged from playing on top of this bunk bed.
3. The bunk bed should be checked periodically by the owner to ensure that the guardrail, ladder, and other components are maintained in the correct position and state of repair and that all connectors are tight.
4. A bunk bed is not to be placed near a ceiling fan unless the distance between the closest points on the ceiling fan bunk Bed is at least 2 metres.
5. Use guardrails on both sides of upper bunk.
6. Prohibit horseplay on or under bed(s).
7. Prohibit more than one person on upper bunk.
8. Use Ladder for entering and leaving upper bunk.
9. If the bunk bed will be placed next to the wall, the guardrail that runs the full length of the bed should be placed against The wall to prevent entrapment between the bed and the wall.
10. **WARNING** Do not use the bunk bed/high bed if any structural part is broken or missing.
11. Ventilation of the room is necessary in order to keep the humidity low and to prevent mould in and around the bed.
12. **WARNING** "high beds & the upper bed of bunk beds are not suitable for children under six years due to risk of injury from falls";
13. **WARNING** "children can become trapped between the bed & the wall, a roof pitch, the ceiling, adjoining pieces of furniture (e.g.cupboard) and the like. To avoid risk of serious injury the distance between the top safety barrier and the adjoining structure shall not exceed 75mm nor shall be more than 230mm"
14. always follow the manufacturer's instruction;
15. Recommended Mattress Size : 90cm x 190cm (UK Single) with Maximum Depth of 18.4cm
16. This item conforms to European Safety Standards - BS EN 747-1 : 2012 + A1 : 2015 & BS EN 747-2 : 2012 + A1 : 2015
17. **WARNING** "Bunk beds and high beds can present a serious risk of injury from strangulation if not used correctly. Never attach or hang items to any part of the bunk bed that are not designed to be used with the bed, for example, but not limited to ropes, strings, cords, hooks, belts and bags"
18. High beds and the upper bed of bunk beds is suitable for a maximum mattress thickness of 184mm. The top of mattress must not come above the line marked on the bed.

STRANGULATION HAZARD:

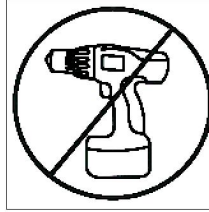
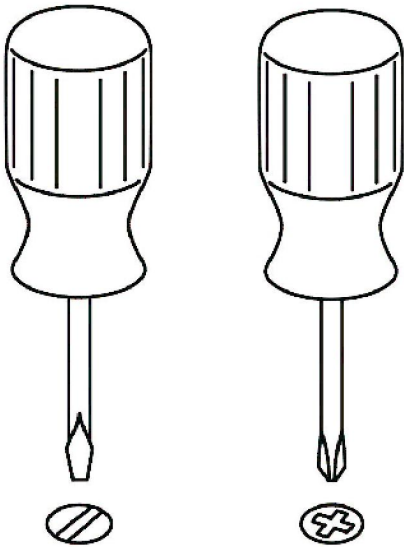
19. Never attach or hang items to any part of the bunk bed that are not designed for use with the bed for example, but not limited to hook, belt and jump ropes.

Guide To Assembly

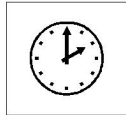
Model : MG 7777

Tools Required For Assembly

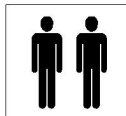
Phillips Screw Driver



DO NOT USE POWER TOOLS TO ASSEMBLE THIS PRODUCT. USE OF POWER TOOLS WILL INVALIDATE ANY CLAIM AND MAY DAMAGE THIS PRODUCT MAKING IT UNSAFE.

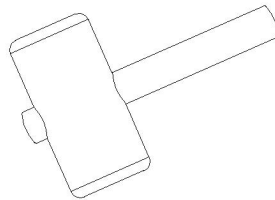


Approximately 3 hour

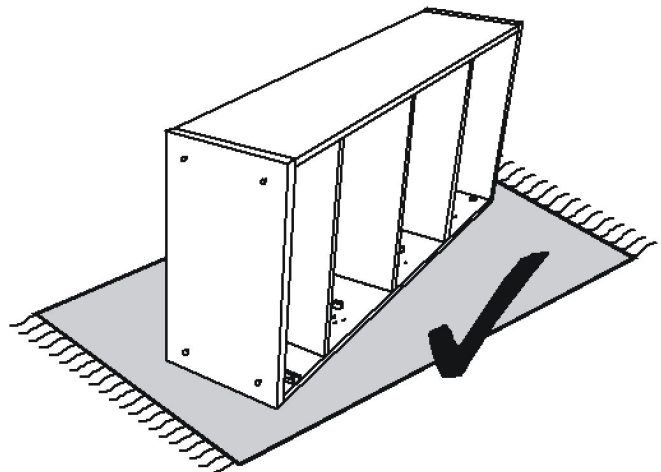
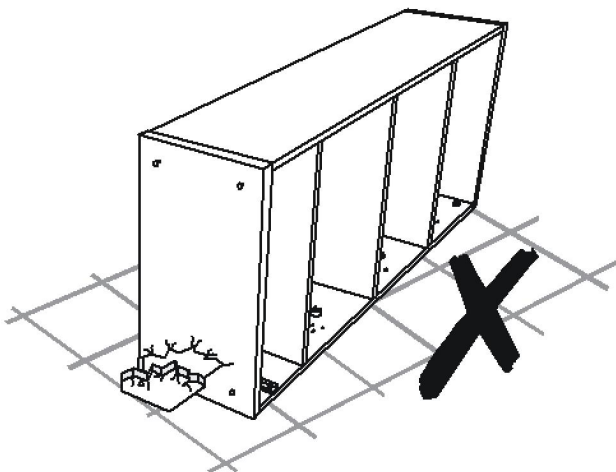
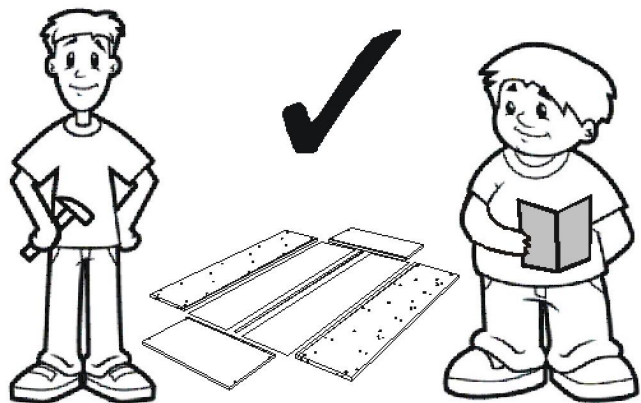
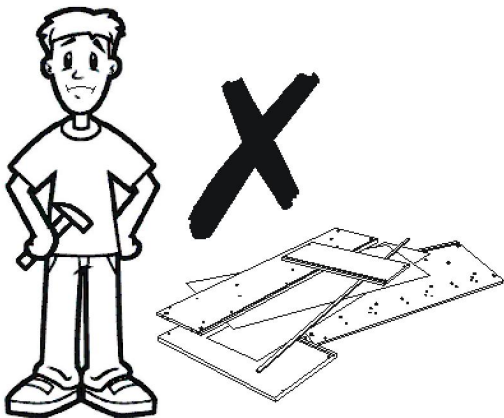
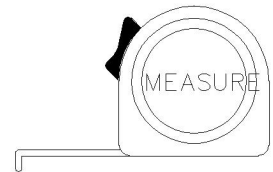


2 People Required

Rubber Hammer



Tape Measure



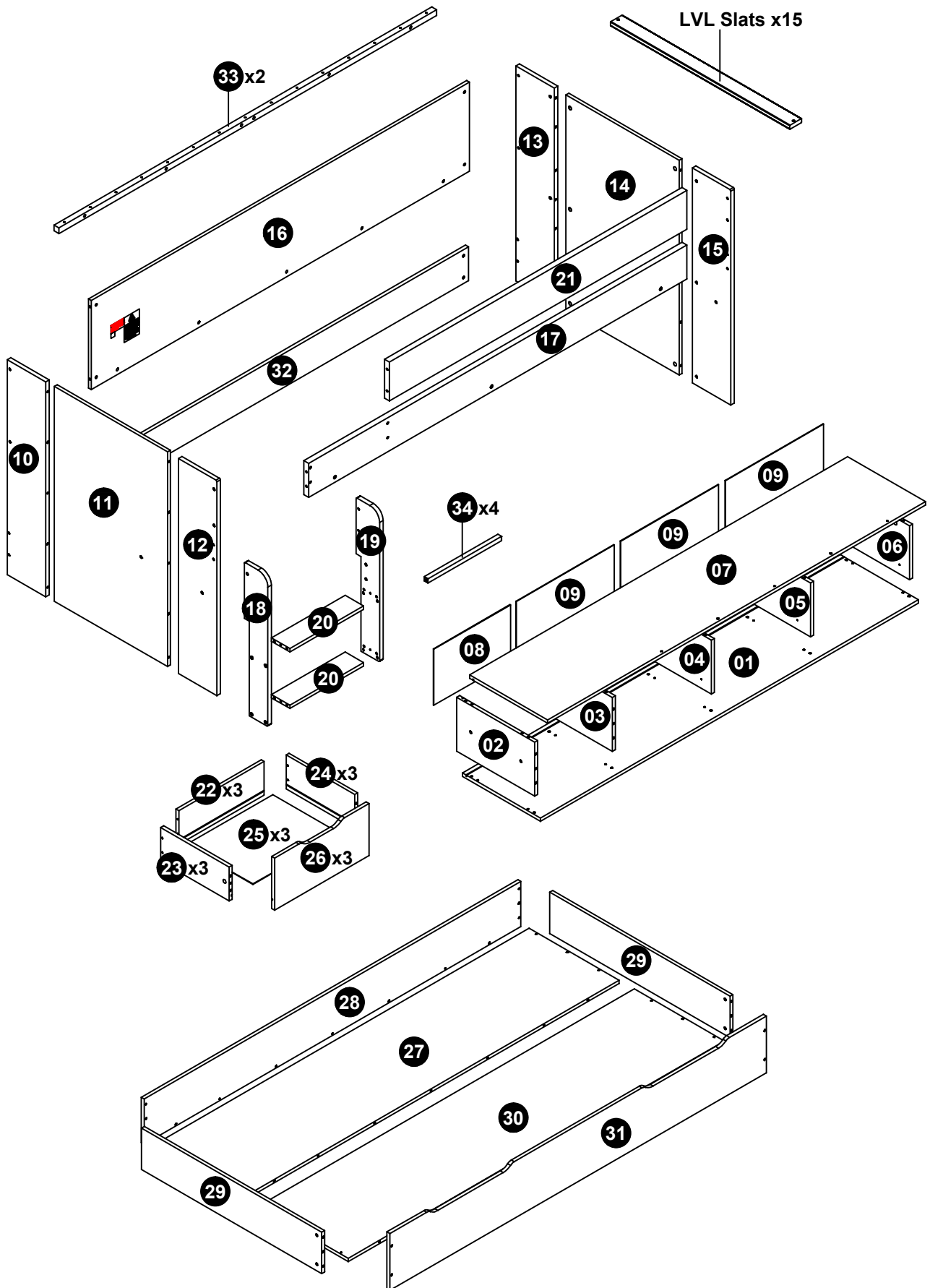
Part List

Model : MG 7777

Carton 1 of 4			Carton 3 of 4		
No.	Part Name	Pcs	No.	Part Name	Pcs
16	Side Panel (Back)	1	10	Left End Panel (Back)	1
17	Side Panel (Front)	1	11	Left End Panel (Center)	1
21	Front Side Panel (Upper)	1	12	Left End Panel (Front)	1
32	Back Panel (Lower)	1	13	Right End Panel (Back)	1
33	Metal Side Rail	2	14	Right End Panel (Center)	1
34	Ladder Support Rail	4	15	Right End Panel (Front)	1
Assembly Instructions + Fitting List			18	Left Panel (Ladder)	1
			19	Right Panel (Ladder)	1
				LVL Slats	15
Carton 2 of 4			Carton 4 of 4		
01	Bottom Panel (Cabinet)	1	27	Bottom Panel (Back Trundle)	1
02	Side Panel (Left)	1	28	Back Panel (Trundle)	1
03	Center Panel (Left)	1	29	Right & Left Panel (Trundle)	2
04	Center Panel	1	30	Bottom Panel (Front Trundle)	1
05	Center Panel (Right)	1	31	Front Panel (Trundle)	1
06	Side Panel (Right)	1			
07	Top Panel (Cabinet)	1			
08	Back Panel (Cabinet)	1			
09	Back Panel (Cabinet)	3			
20	Ladder Step Panel	2			
22	Back Panel (Drawer)	3			
23	Left Panel (Drawer)	3			
24	Right Panel (Drawer)	3			
25	Bottom Panel (Drawer)	3			
26	Front Panel (Drawer)	3			





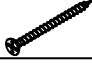

















Part List

Model : MG 7777



Fitting List

Model : MG 7777

Carton 1 of 4			
Fitting List			
No.	Part Name		Pcs
A	Cam Stud (small)		25
B	Cam		40
C	Contractfic Dowel		15
D	M8 x 25mm Wood Dowel		74
E	45mm Chipboard Screw		28
F	38mm Chipboard Screw		12
G	14mm Chipboard Screw		64
H	14" Drawer Slide (SJ) (white)		3 set
J	M6 x 60mm Allen Bolt		4
K	M6 x 50mm Allen Bolt		20
L	M6 x 40mm Allen Bolt		5
M	M6 x 35mm Allen Bolt		13
N	M6 x 30mm Allen Bolt		32
P	M6 x 25mm Allen Bolt		4
Q	Metal L Braket		3
R	M6 x 13mm Baller		27
S	M6 Round Nut		12
T	M6 JCN NUT		12
U	40mm Nylon Caster (White)		12
V	M6 Allen Wrench		2
W	Felt Pads (45 x 14mm)		12
X	Sticker 25mm		31+1

Caution

There are many small components used in the construction of this unit. These loose items should be kept away from young children whilst assembling your unit. As an extra precaution, screw cover caps should be permanently fixed in position. (Where applicable)

USEFUL HINTS & TIPS

Two people will be required to assemble this unit

Please keep this assembly instruction for future reference

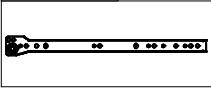
Guide To Assembly

Model : MG 7777

01

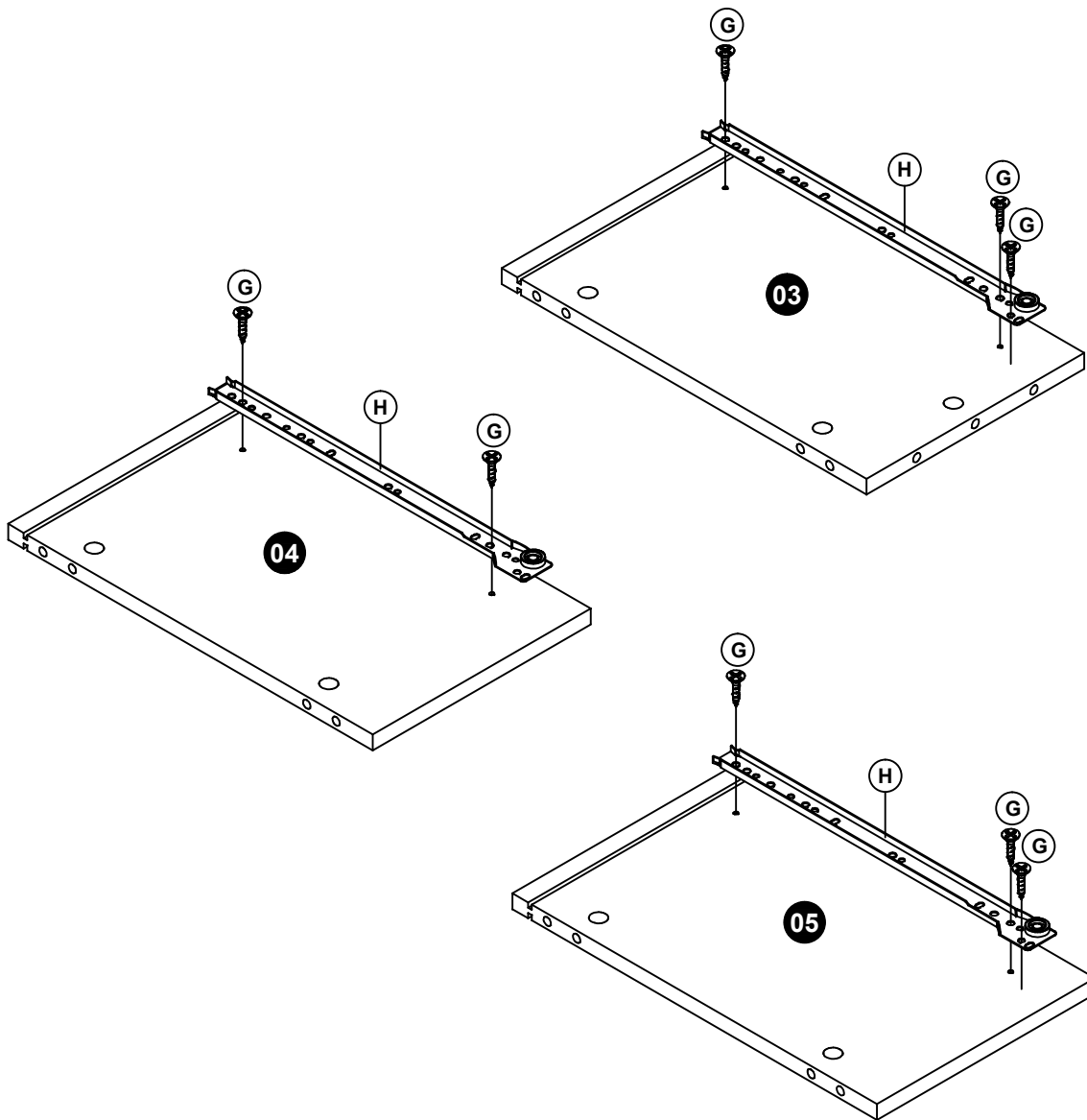
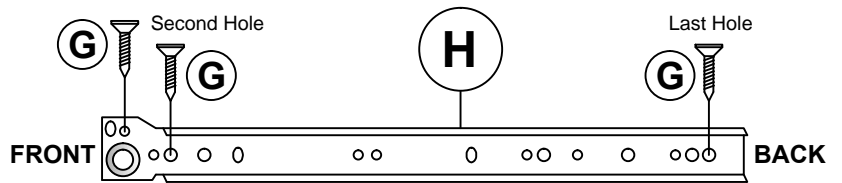


G x 8



H x 3

To Assemble the Drawer Slide, Please Follow Step as Below



To Assemble the Drawer Slide, Please Follow Step as Below

04

Third Hole

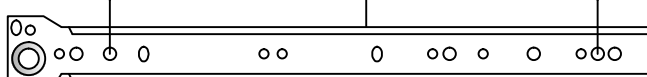


H

Last Second Hole



FRONT



BACK

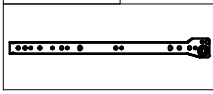
Guide To Assembly

Model : MG 7777

02

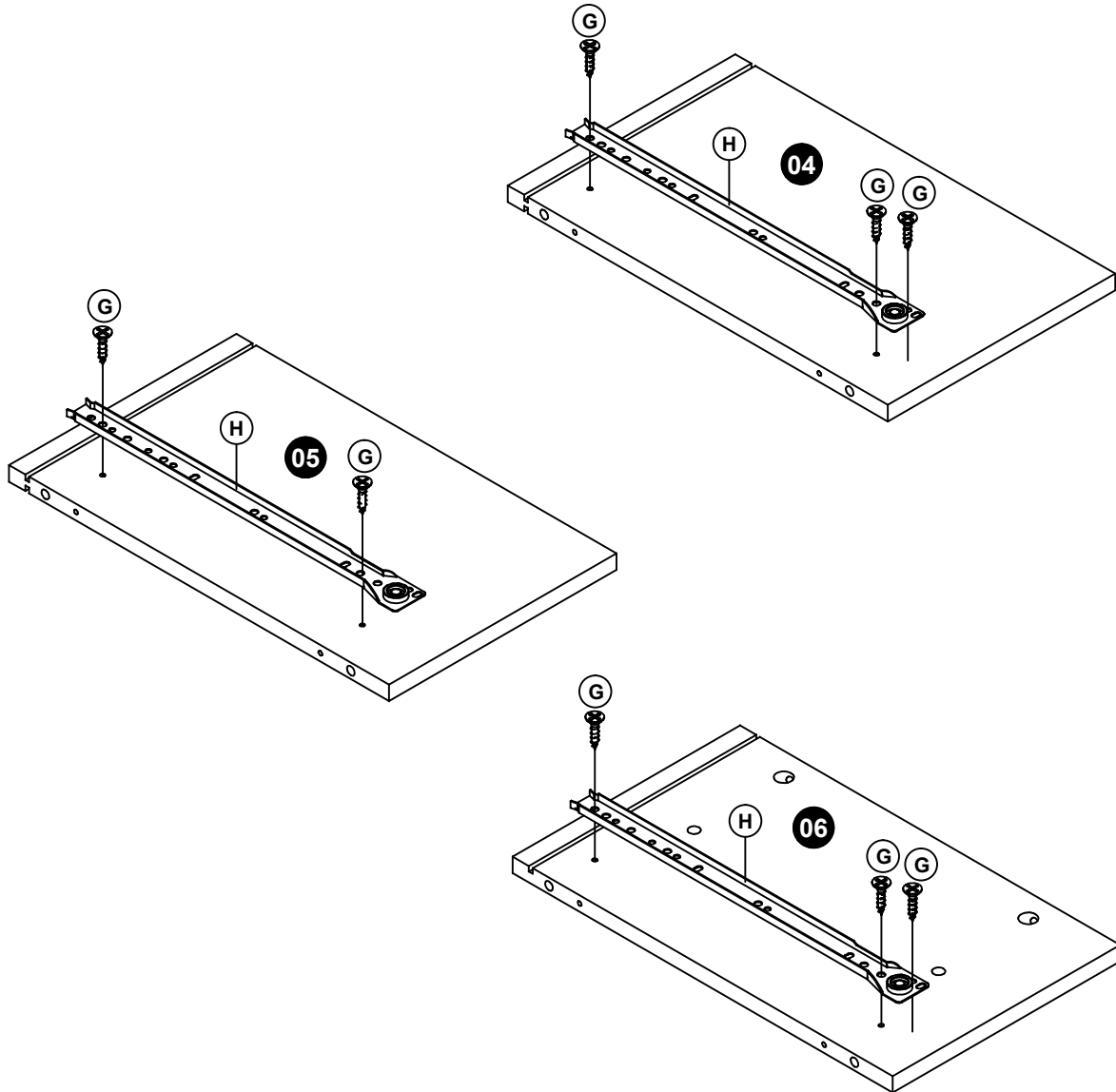
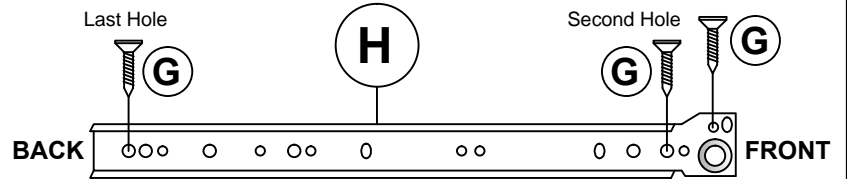


G x 8

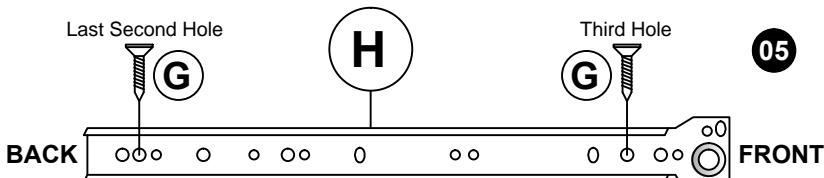


H x 3

To Assembly the Drawer Slide, Please Follow Step as Below



To Assembly the Drawer Slide, Please Follow Step as Below



Guide To Assembly

Model : MG 7777

03



A x 10



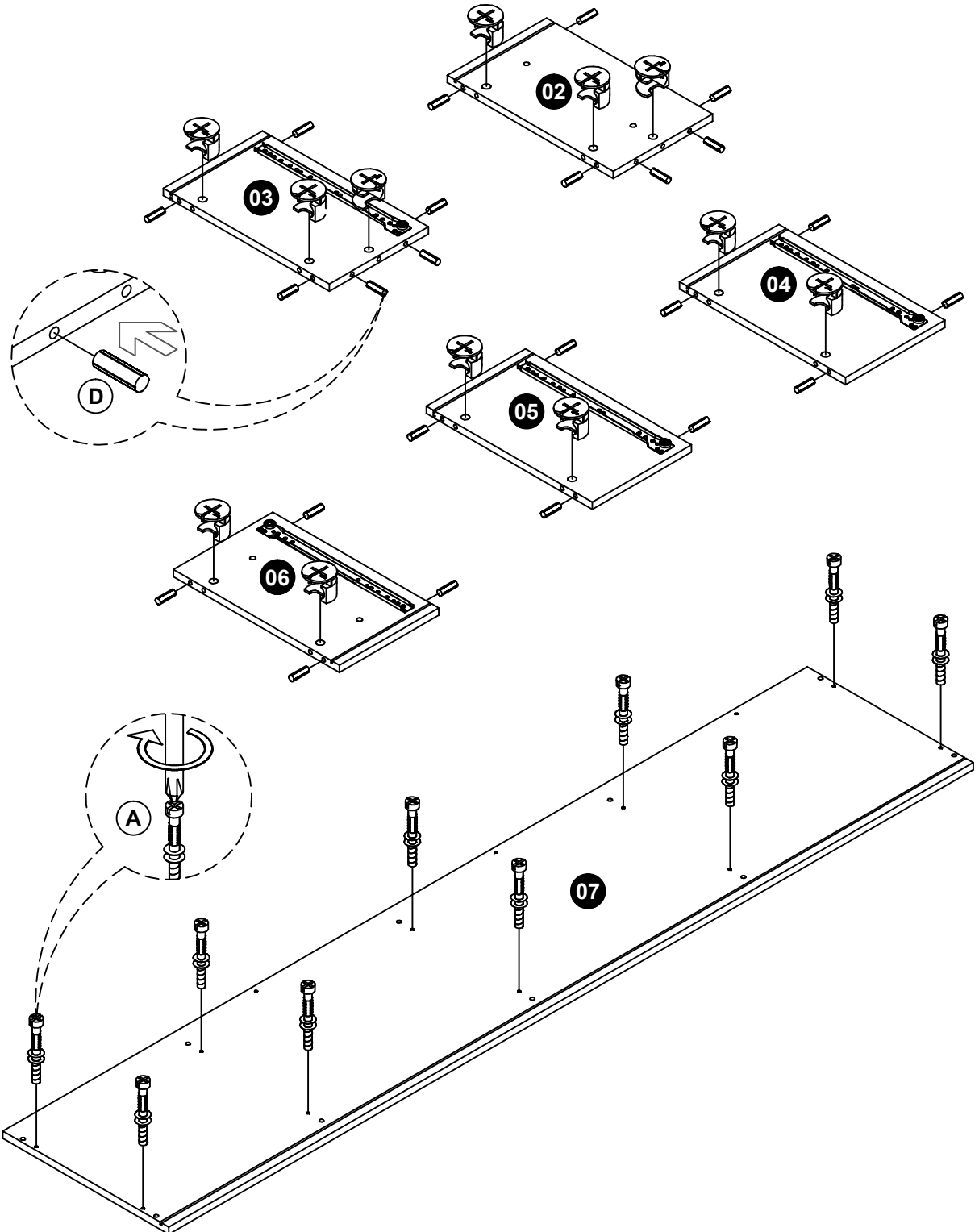
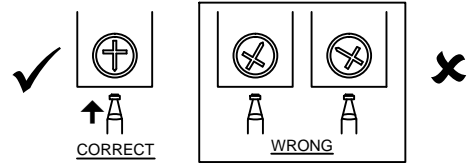
B x 12



D x 24

WHEN FITTING CAMS

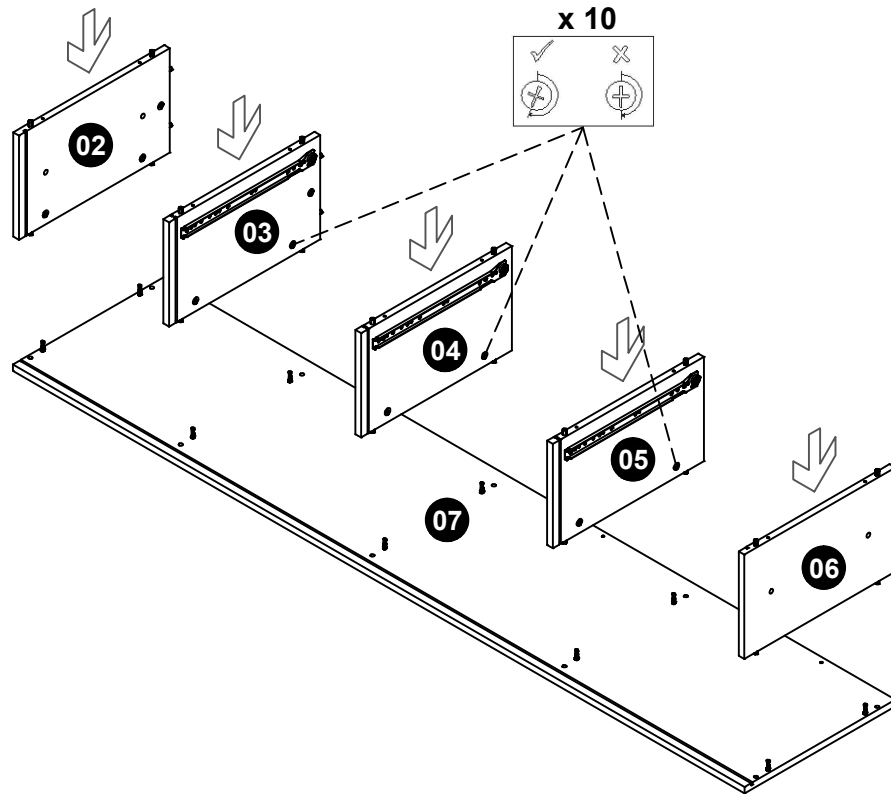
ENSURE STARTING POSITION IS CORRECT
BEFORE YOU INSERT CONNECTING BOLT
TURN CLOCKWISE UNTIL SECURE



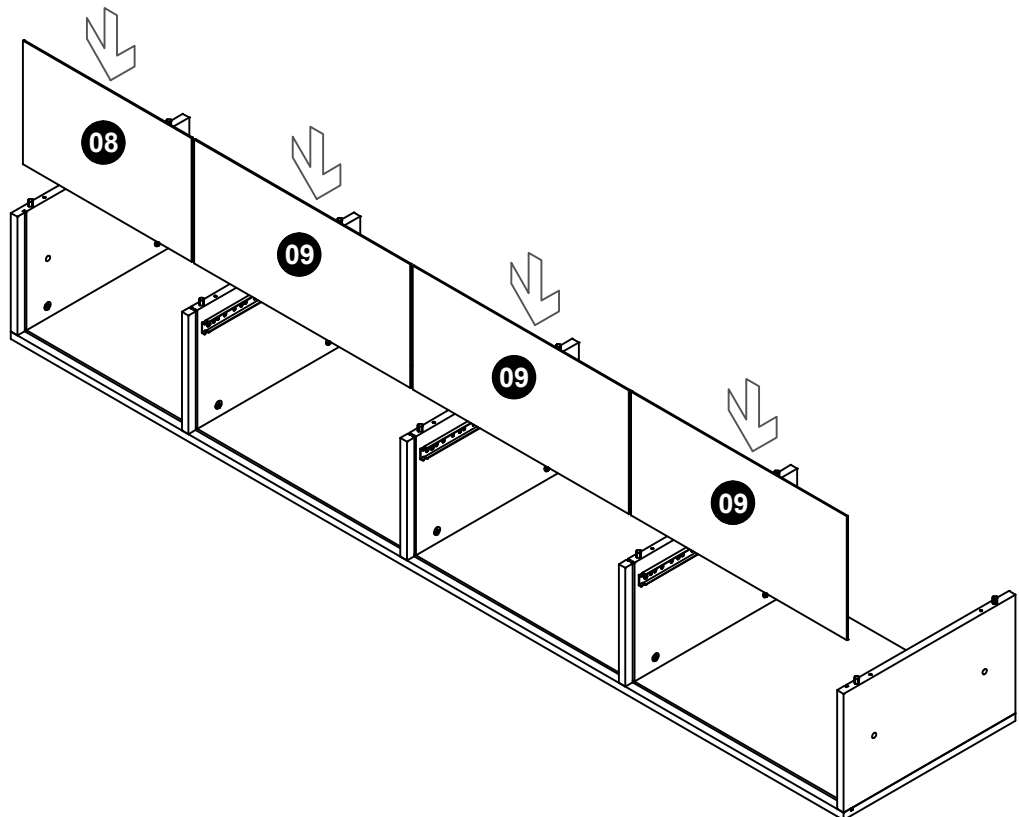
Guide To Assembly

Model : MG 7777

04



05



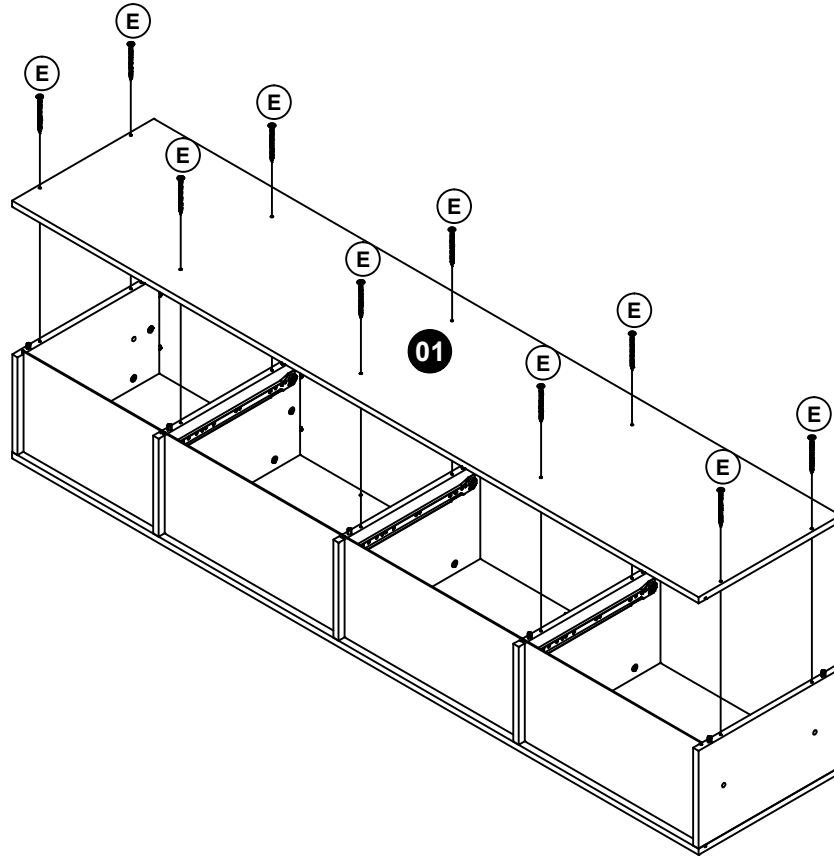
Guide To Assembly

Model : MG 7777

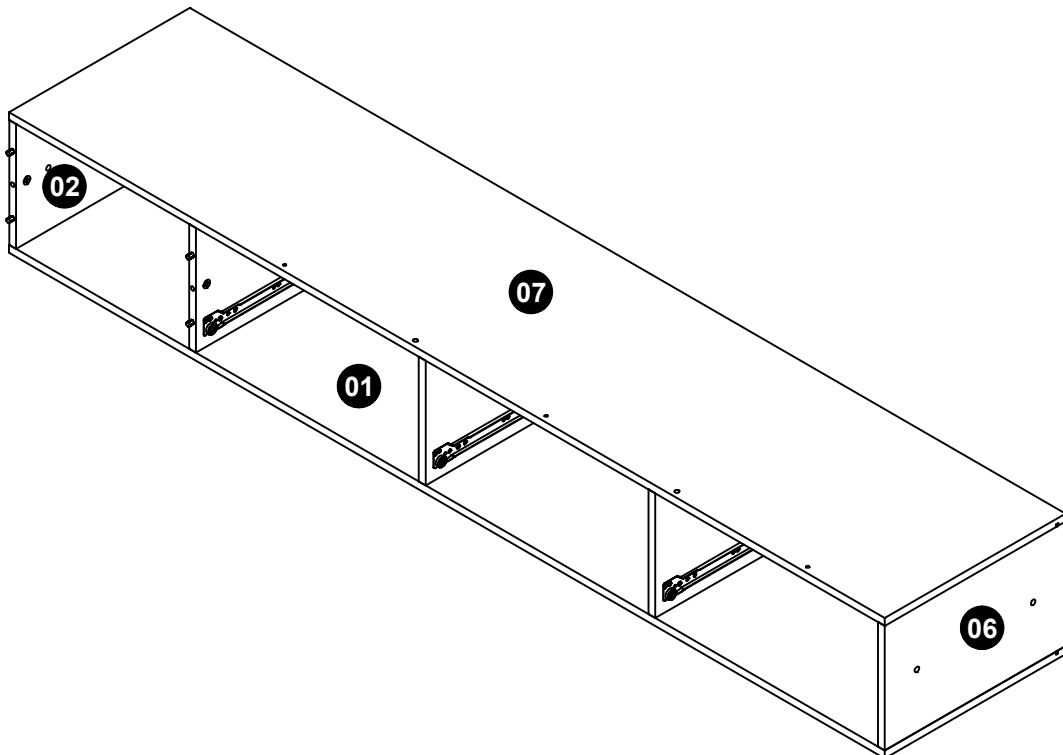
06



E x 10



07



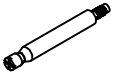
Guide To Assembly

Model : MG 7777

08



B x 12



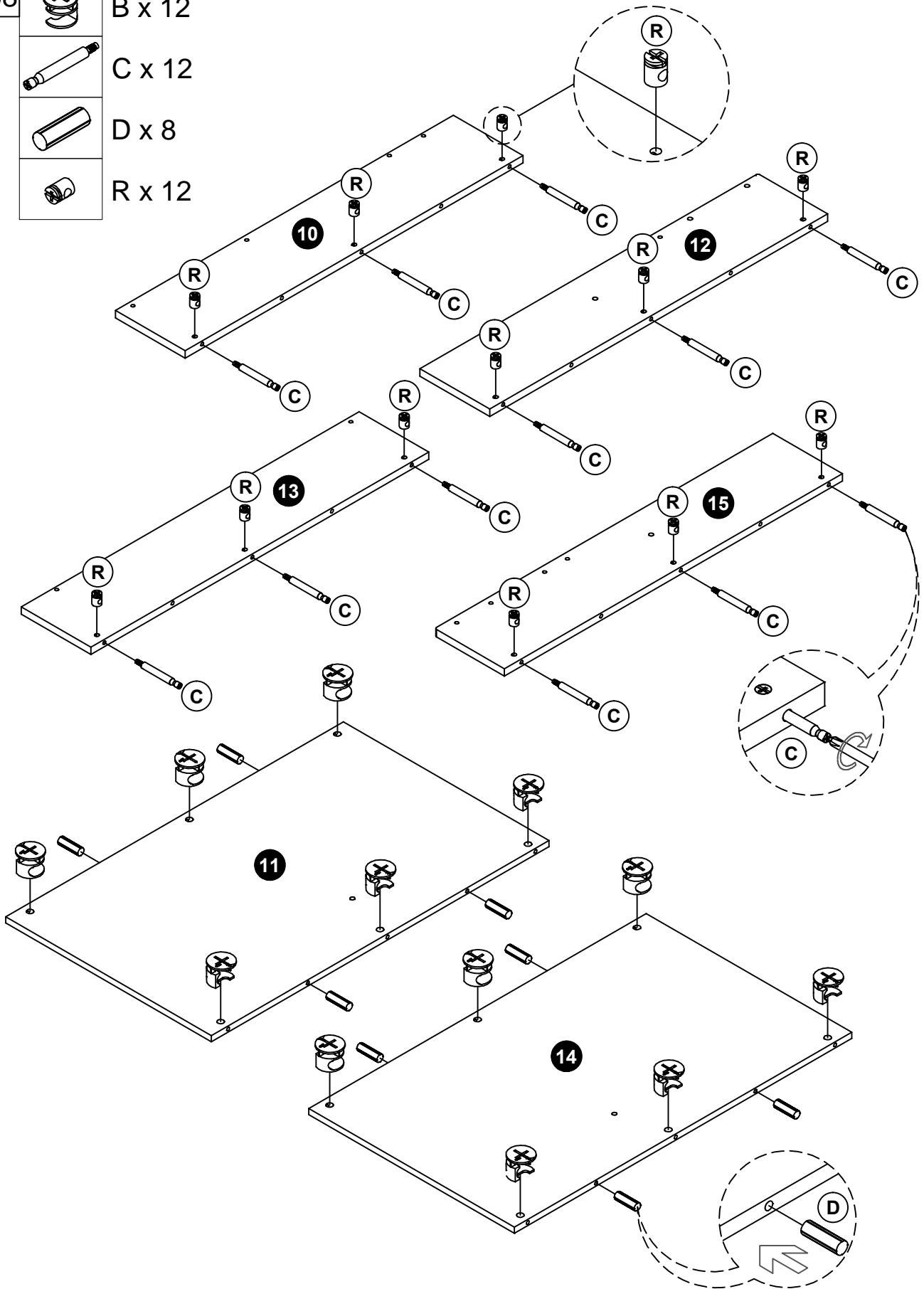
C x 12



D x 8



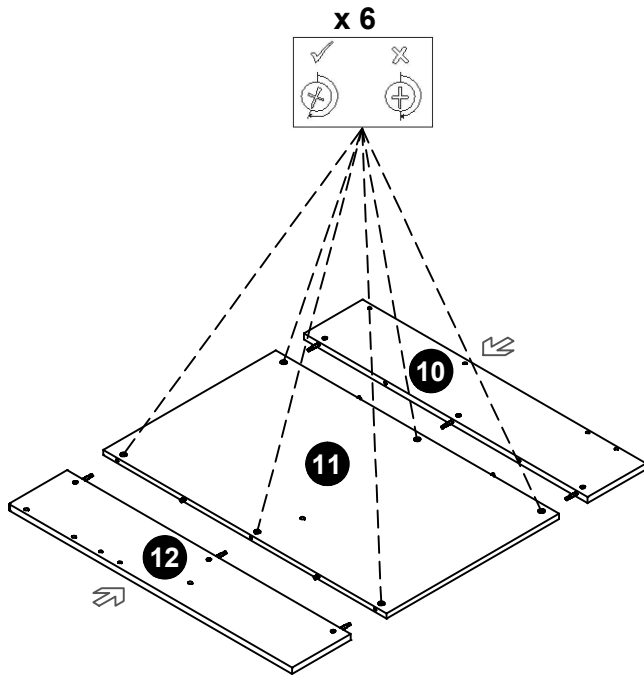
R x 12




Guide To Assembly

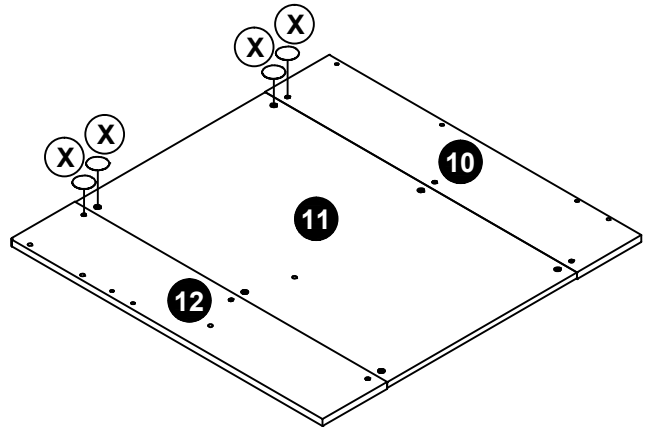
Model : MG 7777

09



10

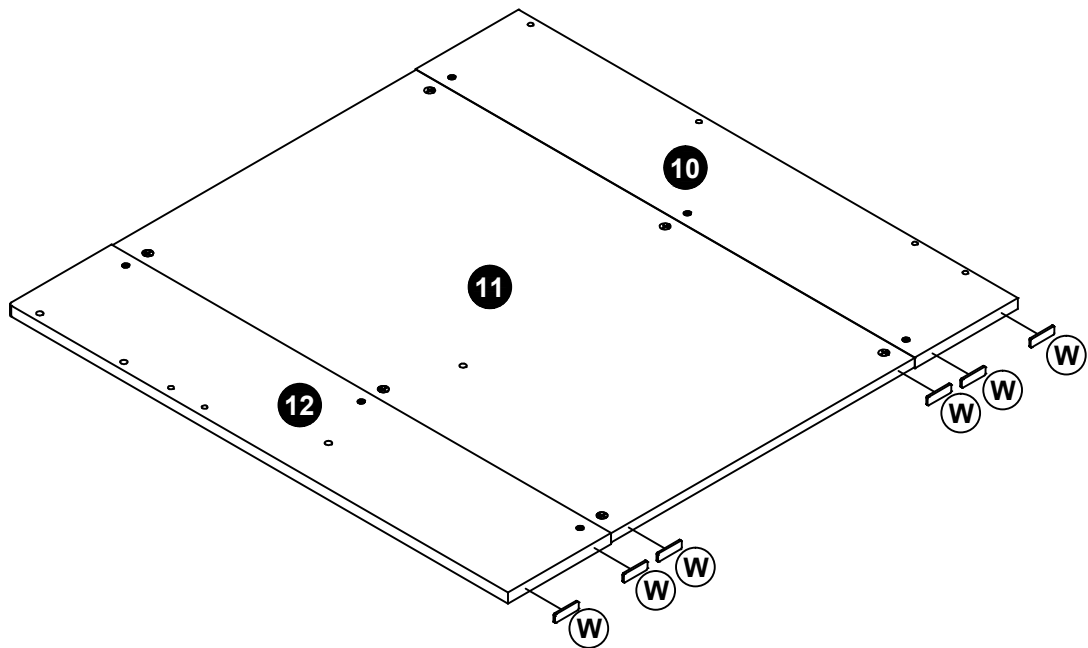
 X x 4



11



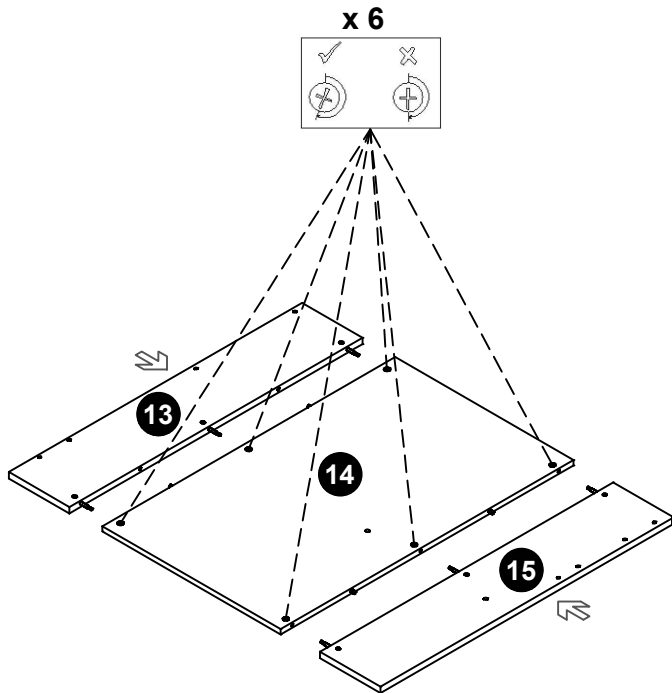
W x 6



Guide To Assembly

Model : MG 7777

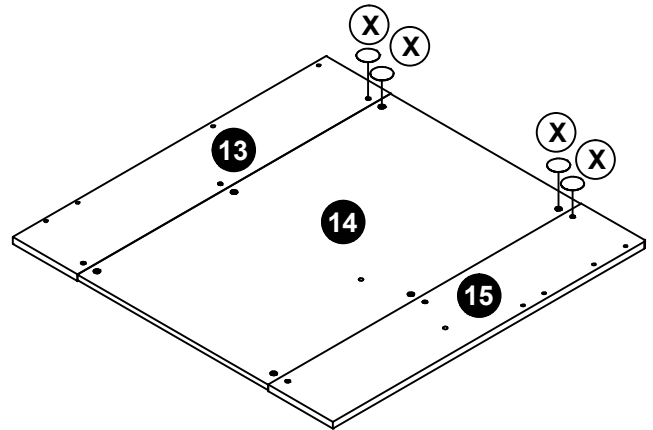
12



13



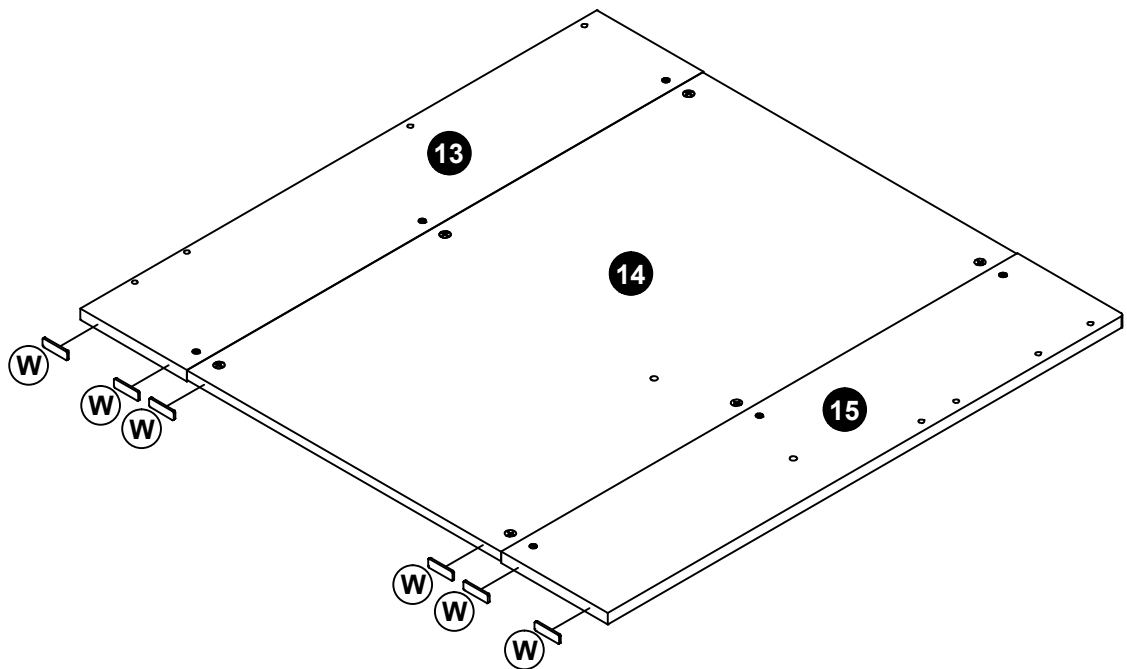
X x 4



14







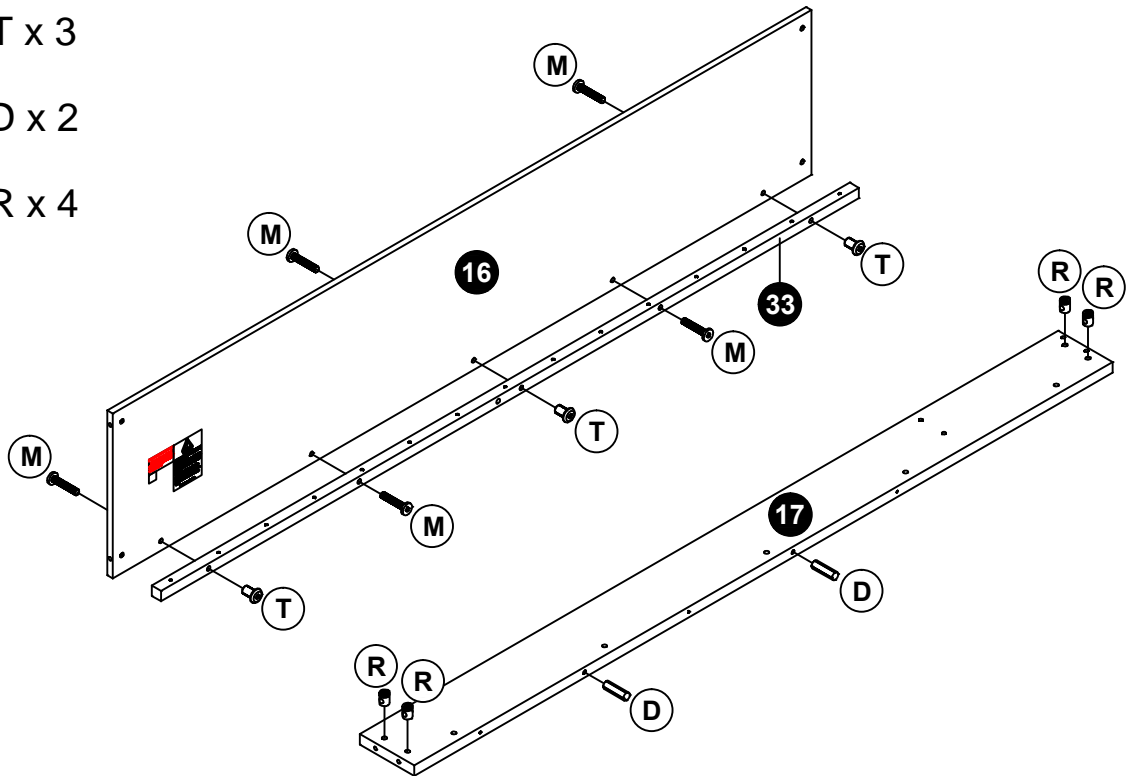
W x 6





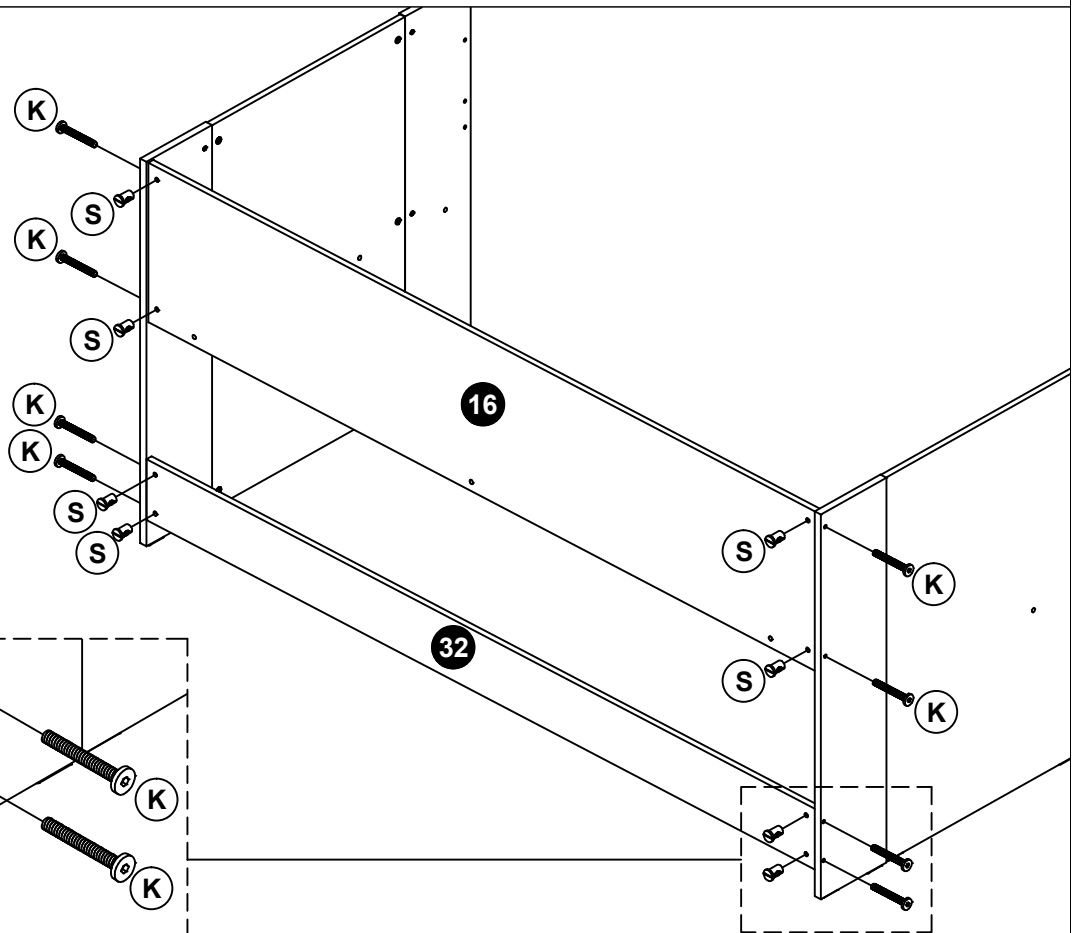
Guide To Assembly

Model : MG 7777

- 15
-  M x 5
 -  T x 3
 -  D x 2
 -  R x 4




- 16
-  K x 8
 -  S x 8

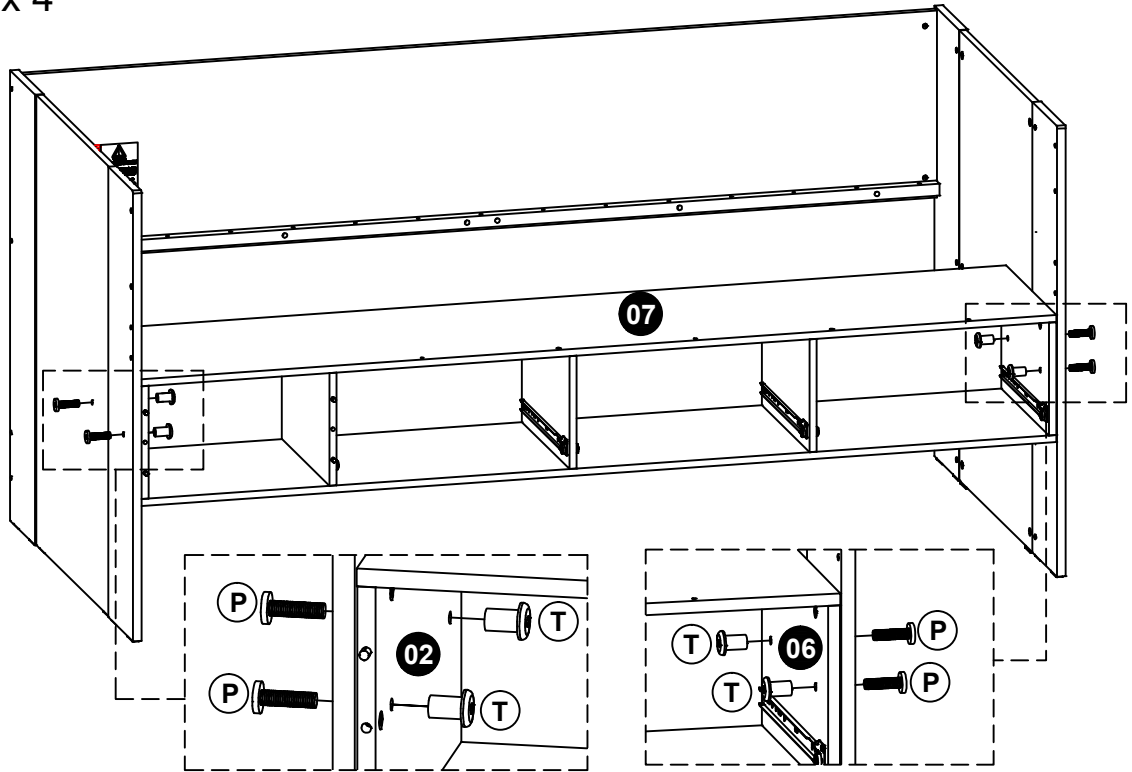


Guide To Assembly

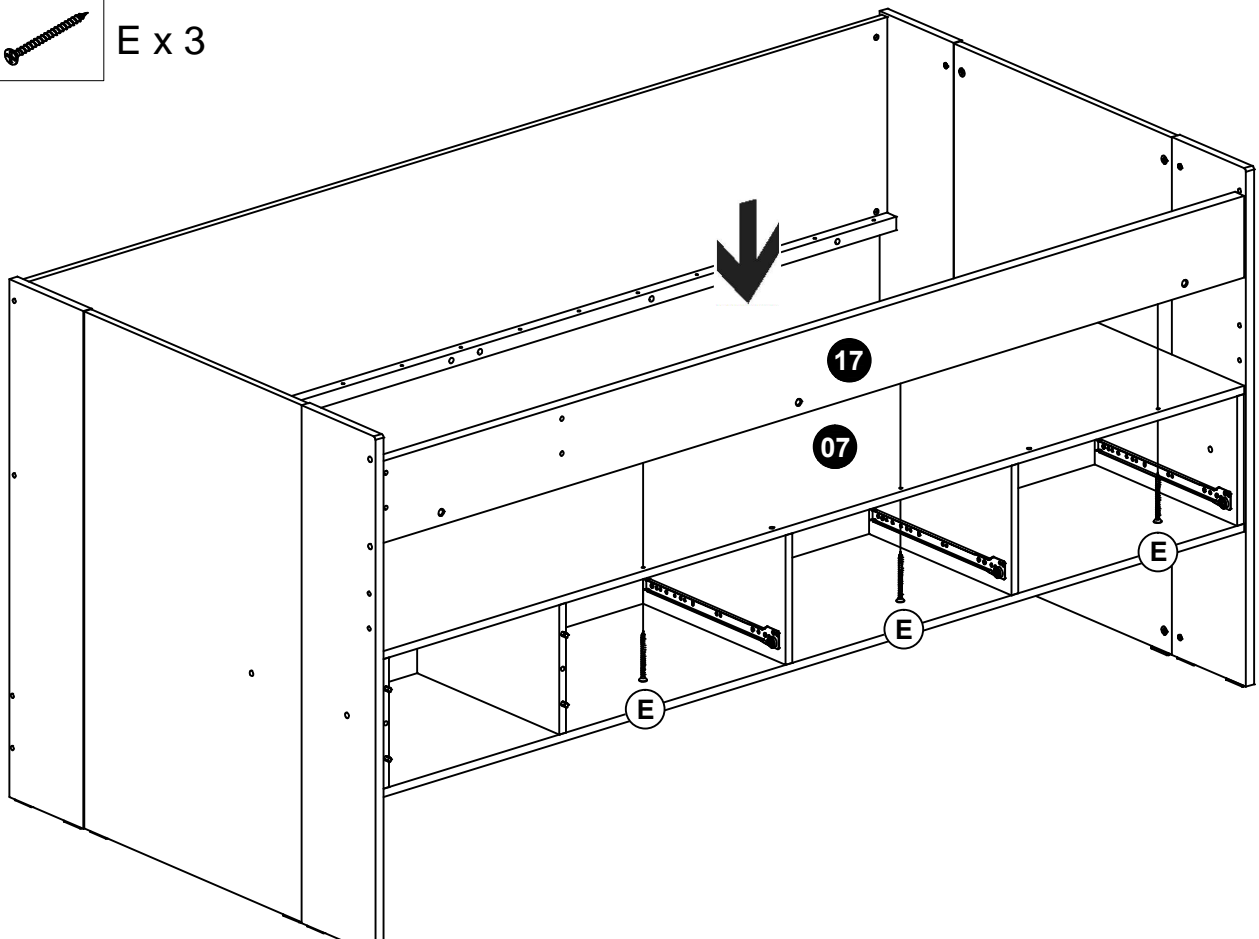
Model : MG 7777

17  P x 4

 T x 4



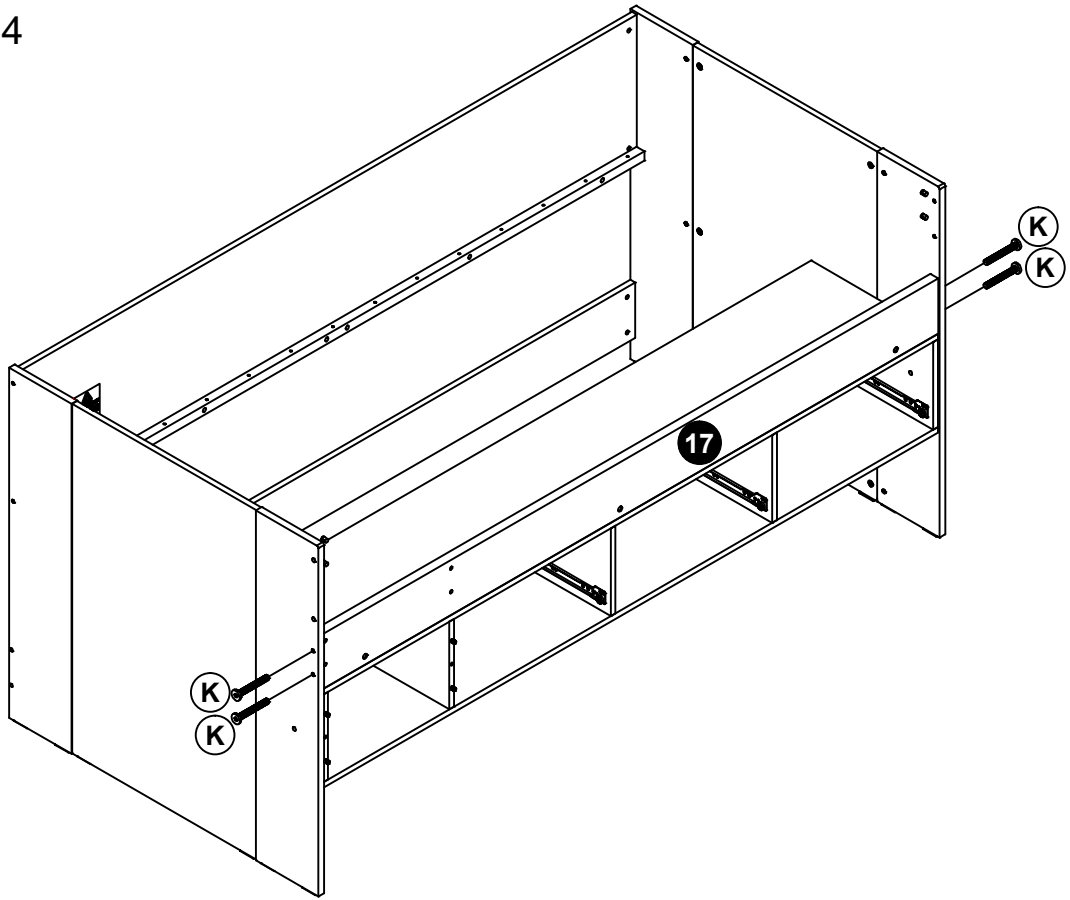
18  E x 3





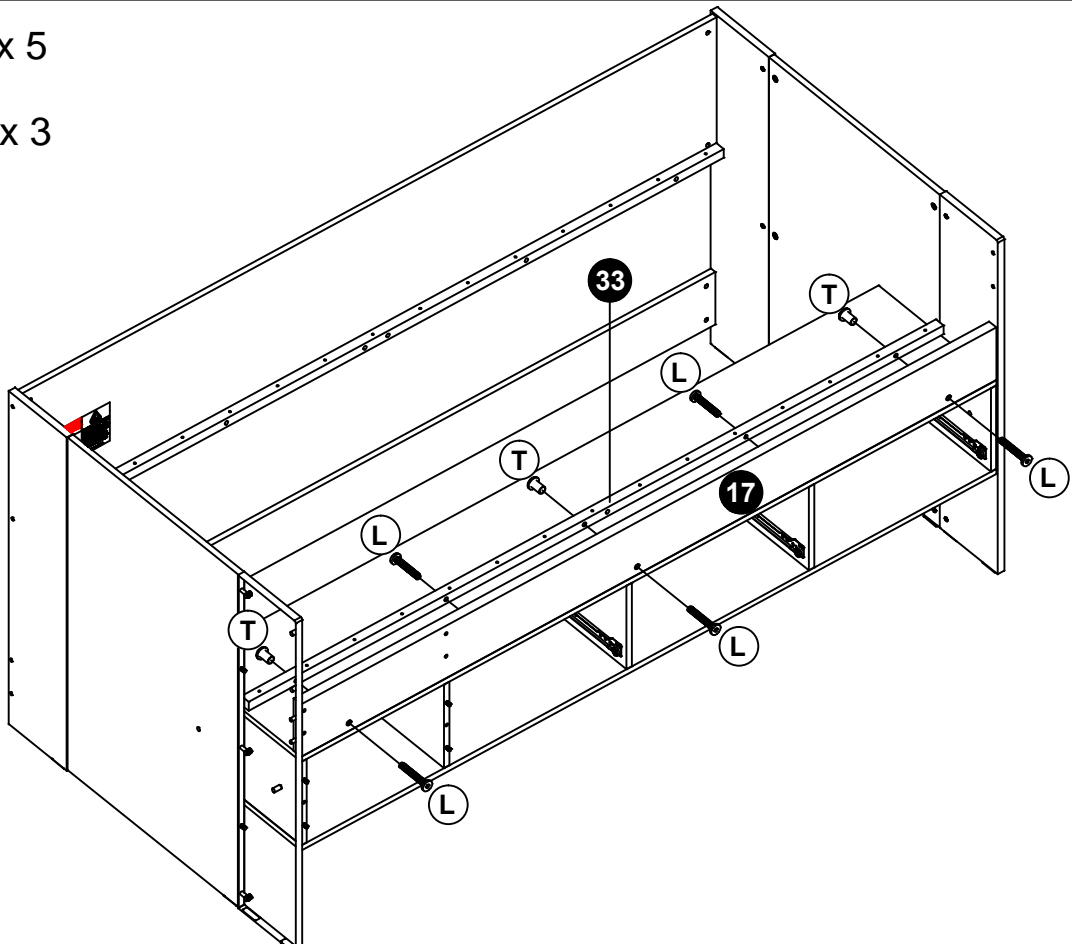
Guide To Assembly

Model : MG 7777

19  K x 4







20  L x 5
 T x 3

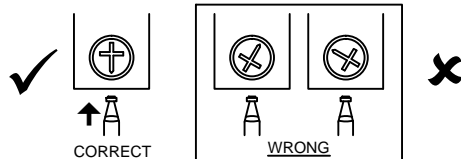





Guide To Assembly




Model : MG 7777

- 21
-  A x 6
 -  B x 4
 -  D x 8
 -  R x 4

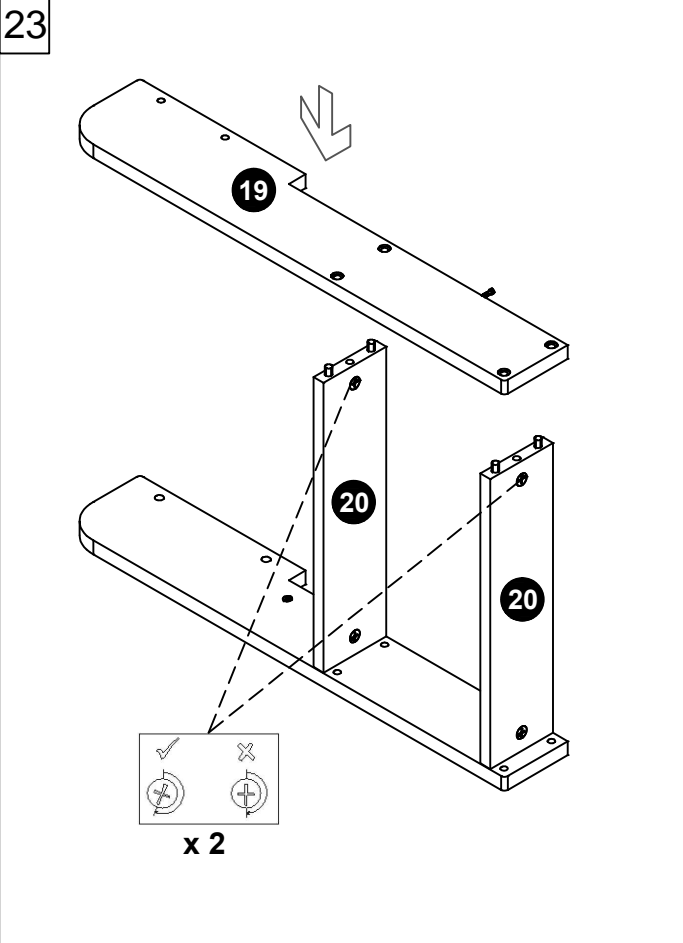
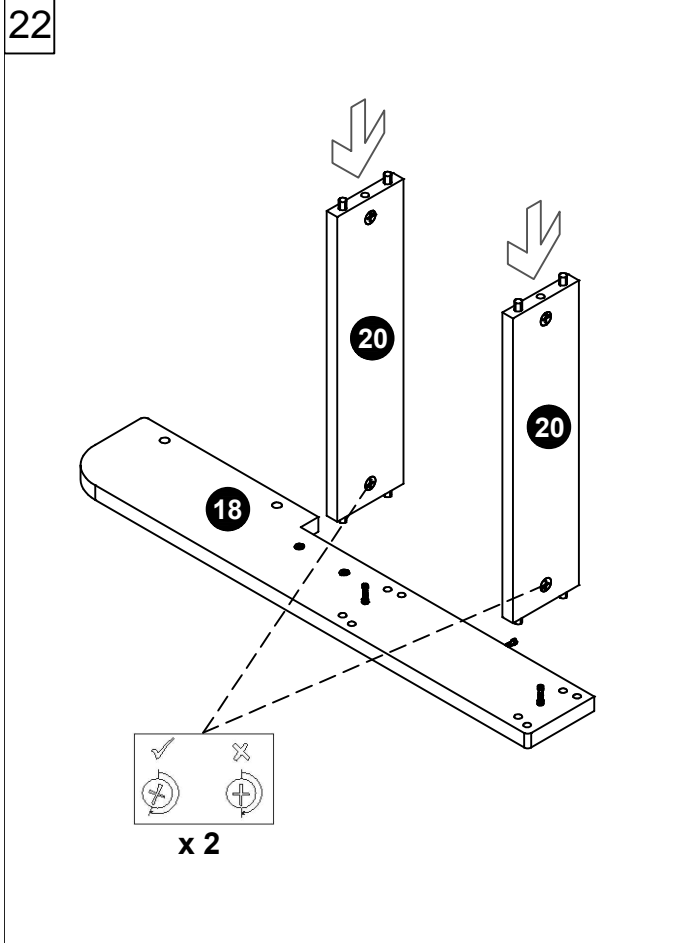
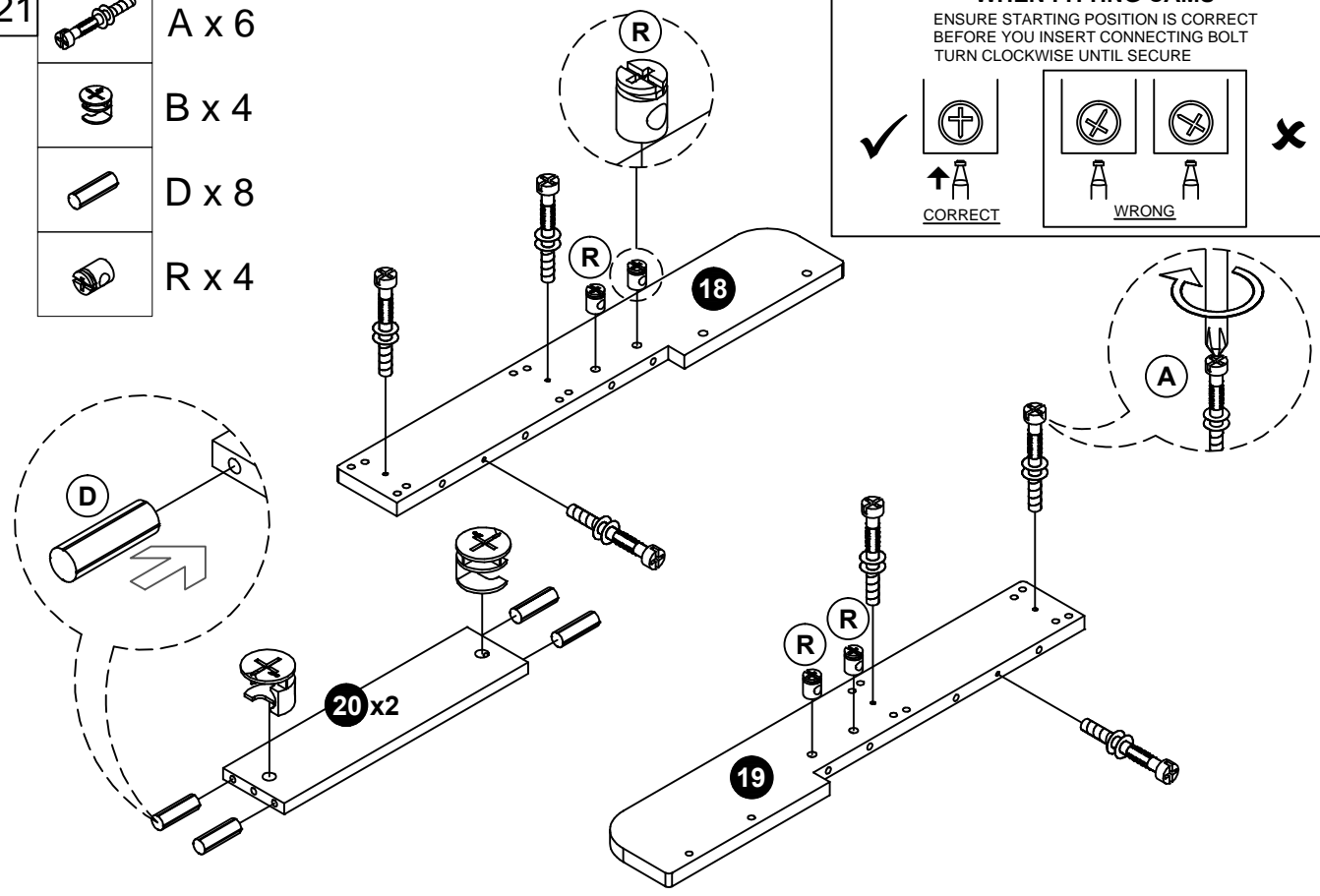
WHEN FITTING CAMS
 ENSURE STARTING POSITION IS CORRECT
 BEFORE YOU INSERT CONNECTING BOLT
 TURN CLOCKWISE UNTIL SECURE



✓    X

↑   

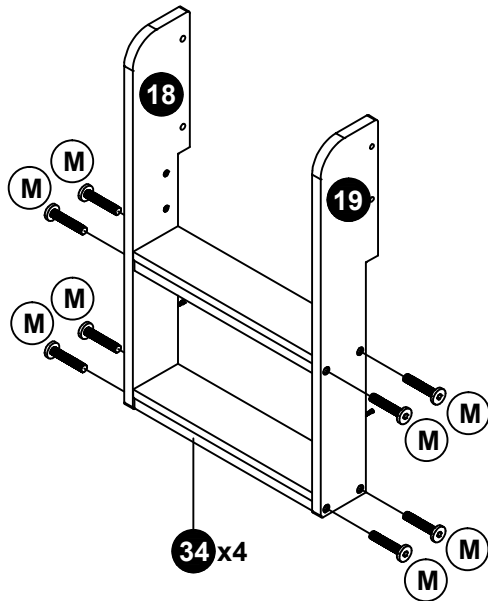
CORRECT WRONG



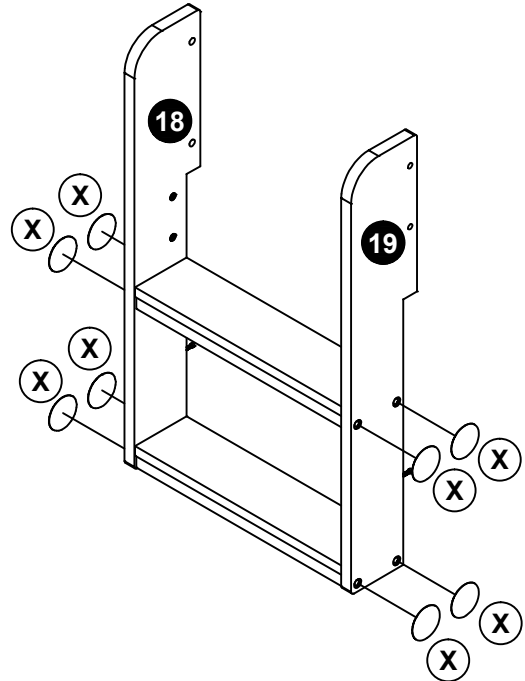
Guide To Assembly

Model : MG 7777

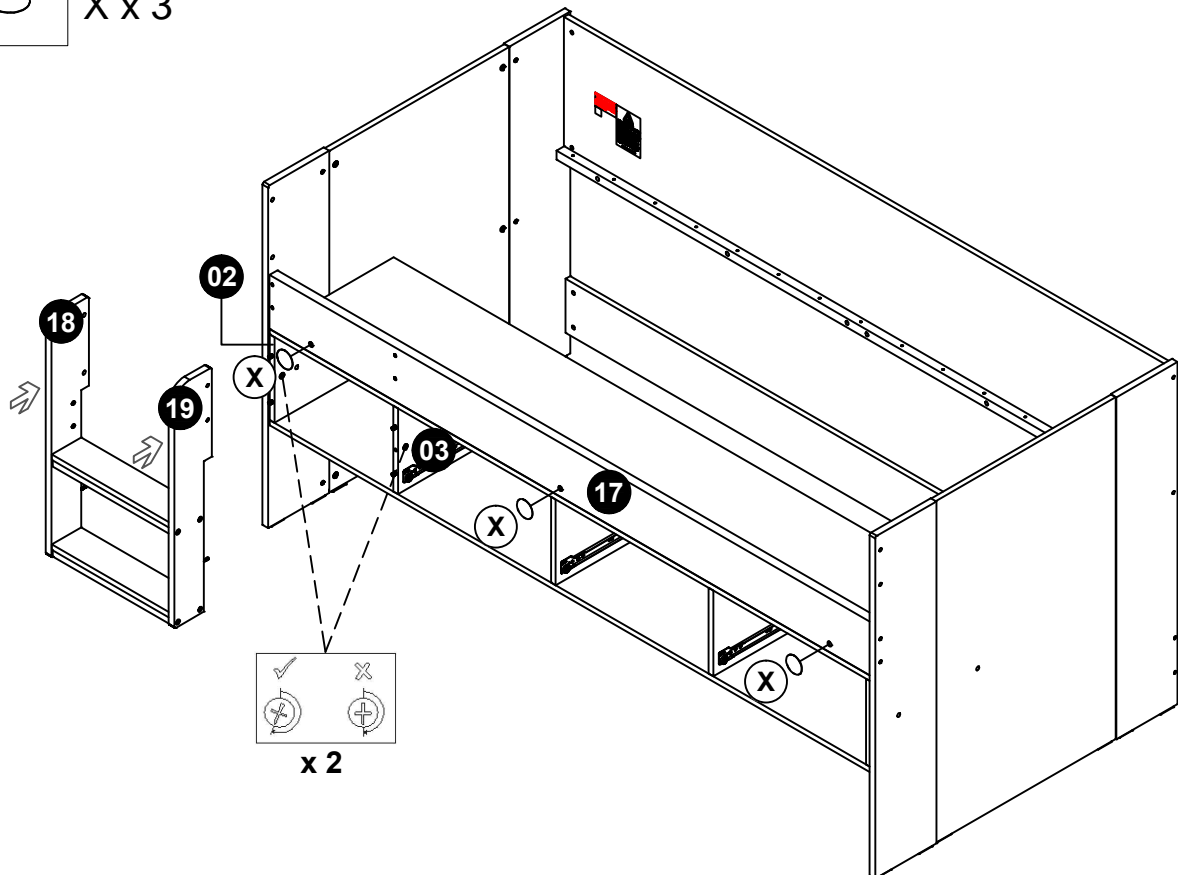
24  M x 8



25  X x 8



26  X x 3



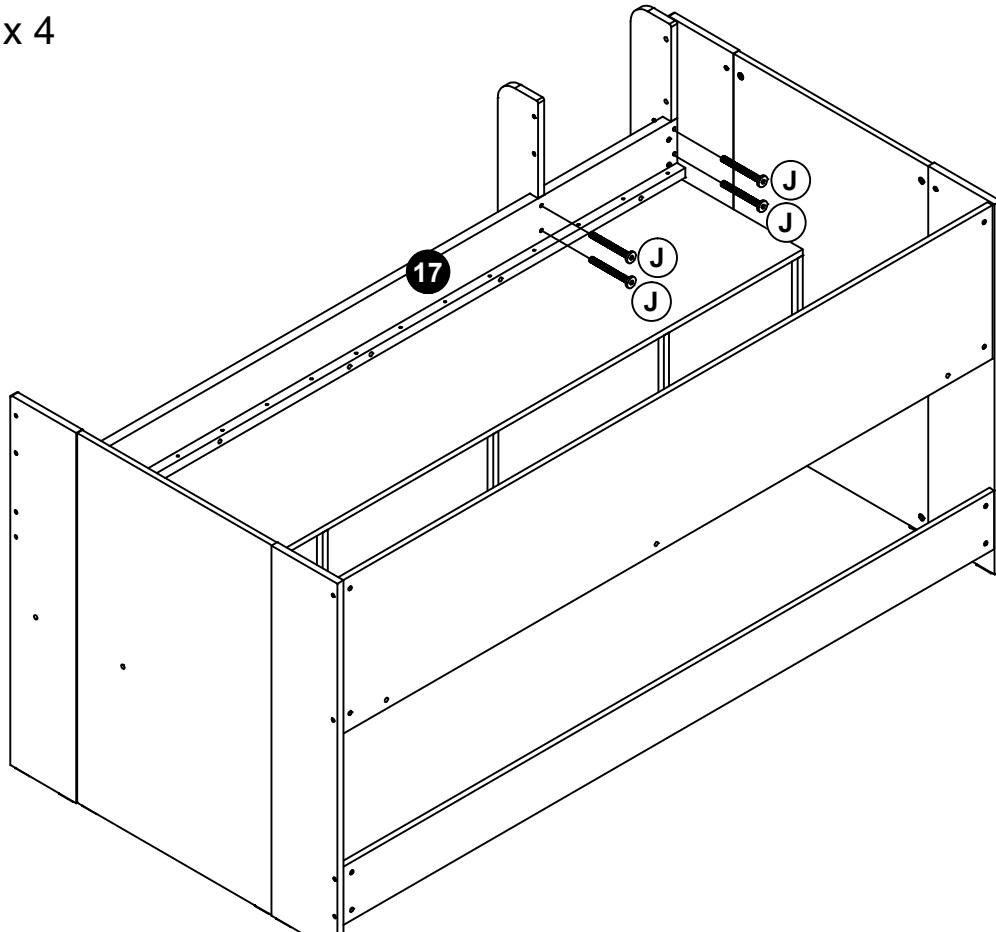
Guide To Assembly

Model : MG 7777

27



J x 4



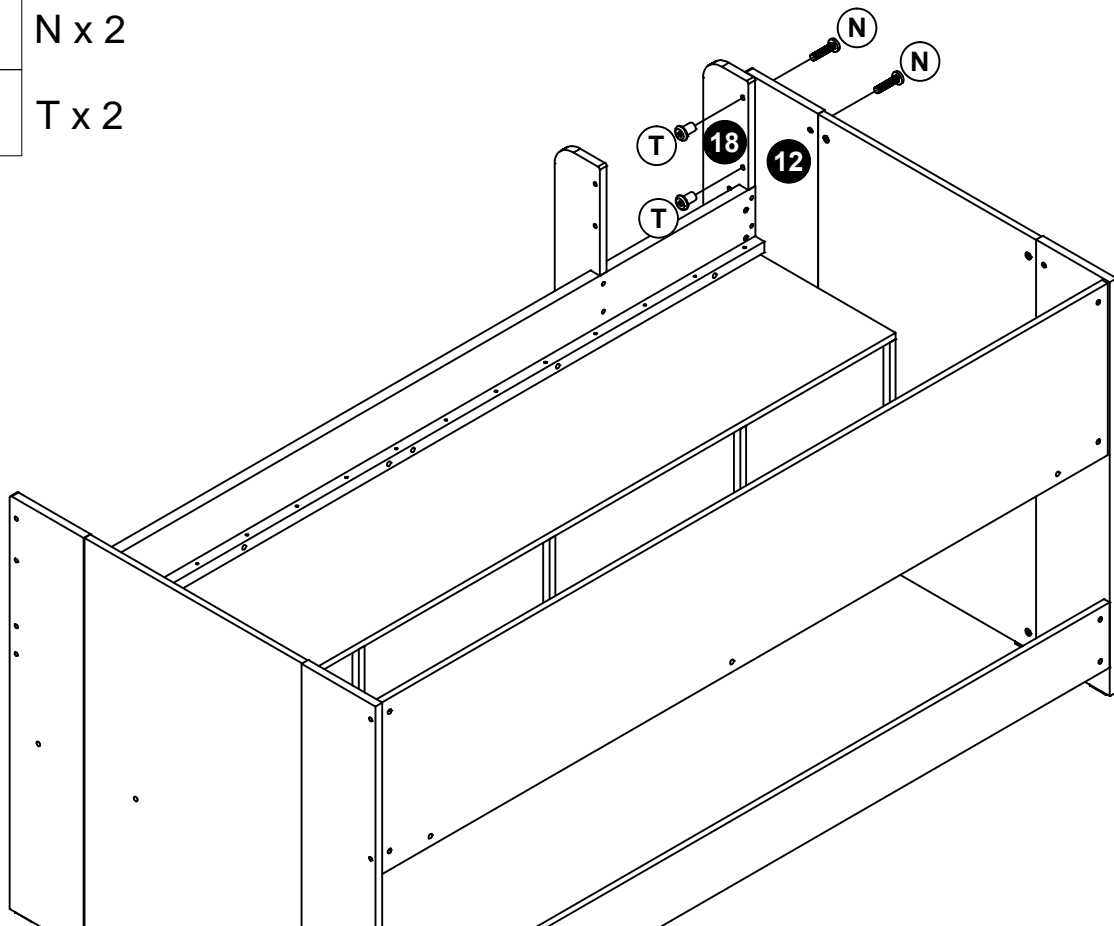
28



N x 2





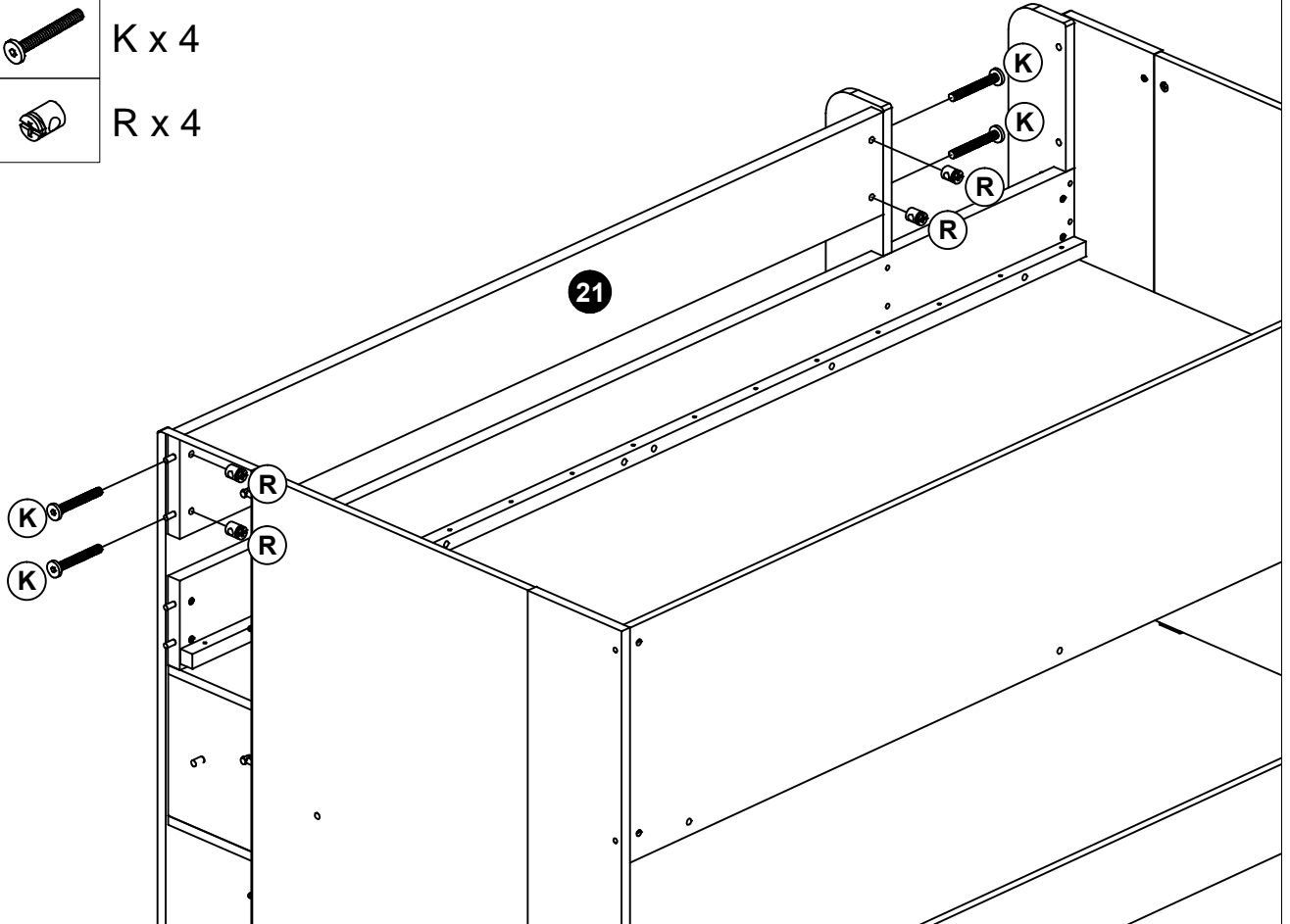
T x 2



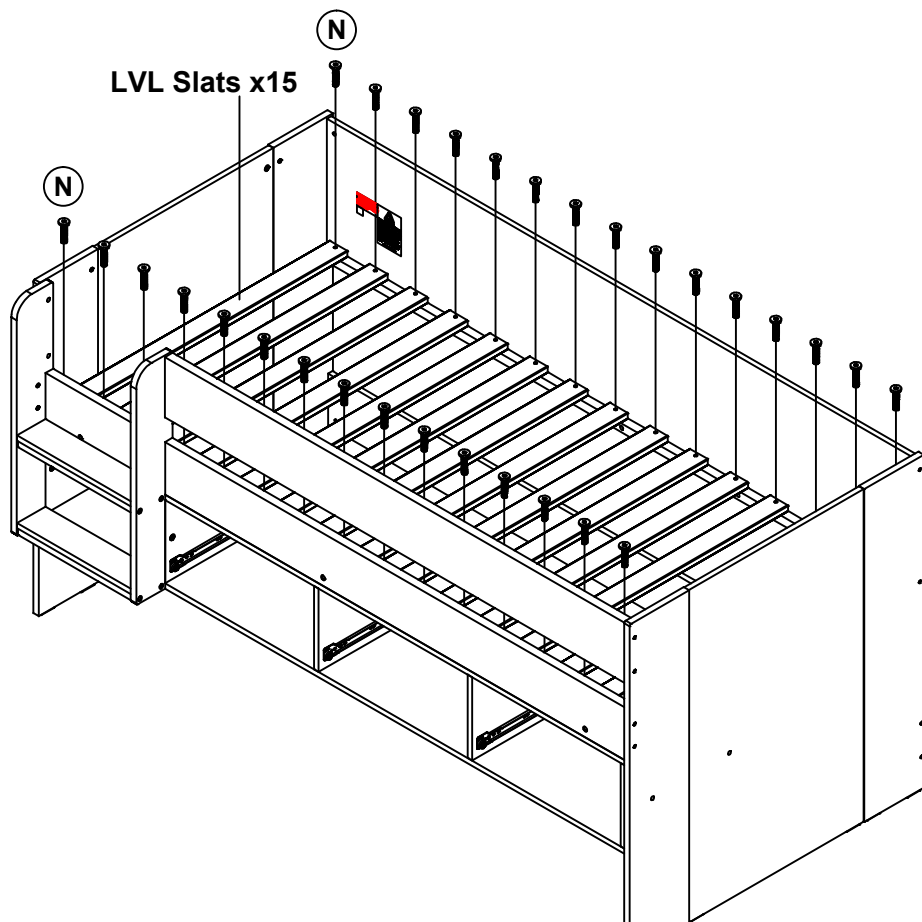
Guide To Assembly

Model : MG 7777

- 29  K x 4
 R x 4



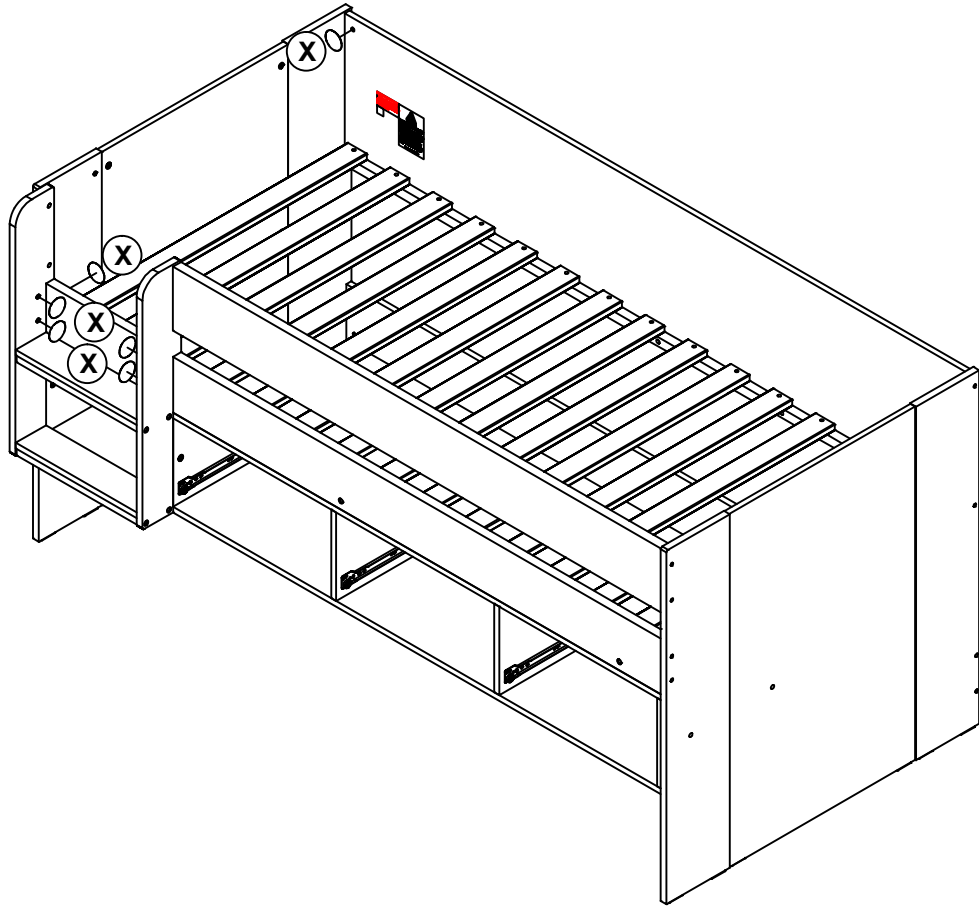
- 30  N x 30



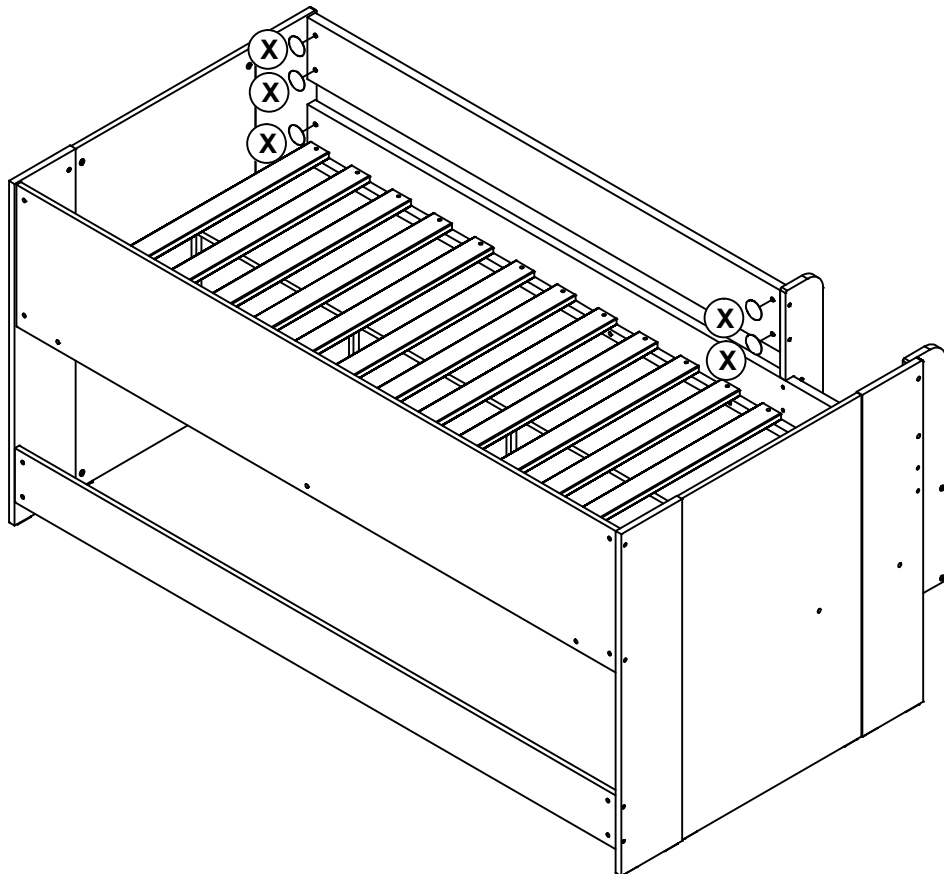
Guide To Assembly

Model : MG 7777

31 ○ X x 6



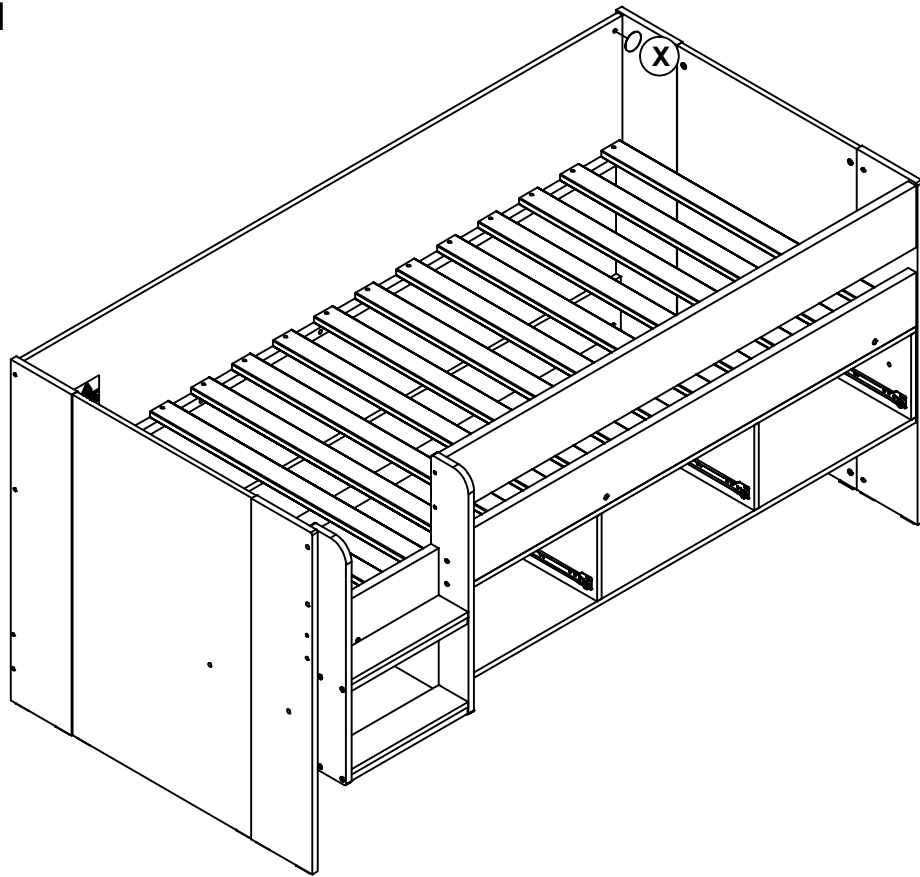
32 ○ X x 5






Guide To Assembly




Model : MG 7777

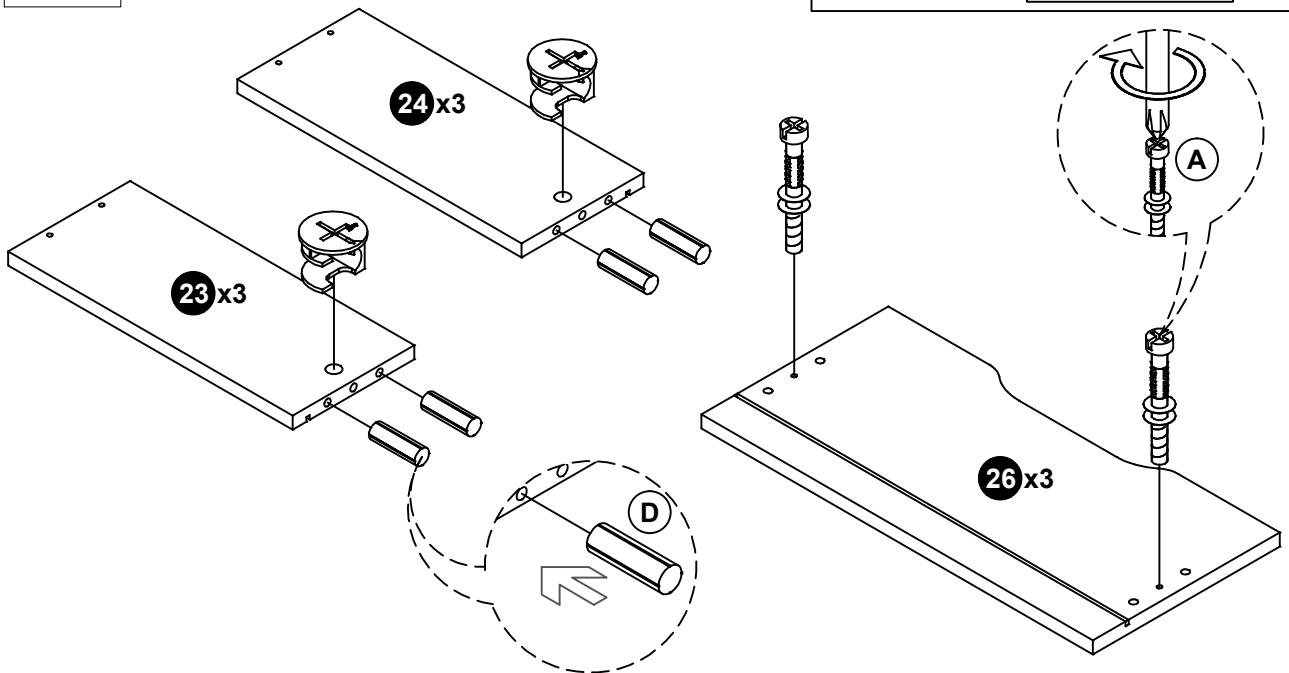
33  X x 1



34  A x 6
 B x 6
 D x 12

WHEN FITTING CAMS
 ENSURE STARTING POSITION IS CORRECT
 BEFORE YOU INSERT CONNECTING BOLT
 TURN CLOCKWISE UNTIL SECURE

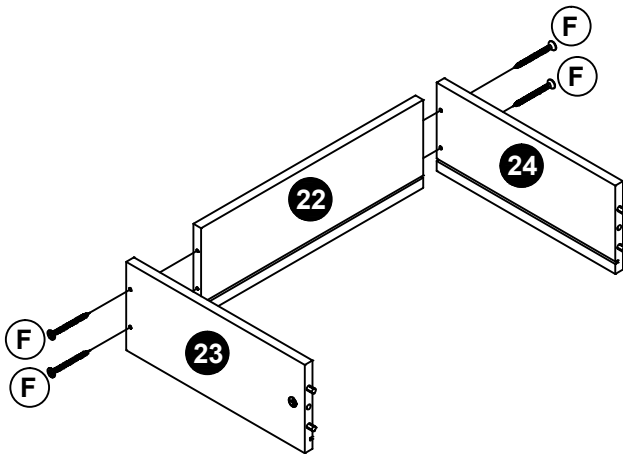
✓    X
 ↑ A
 CORRECT WRONG



Guide To Assembly

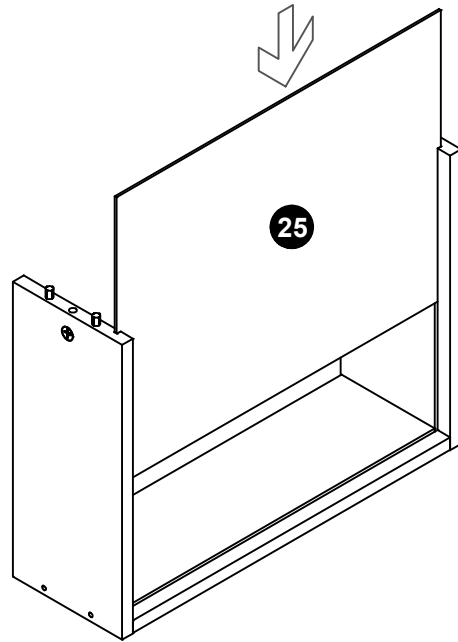
Model : MG 7777

35  F x 12



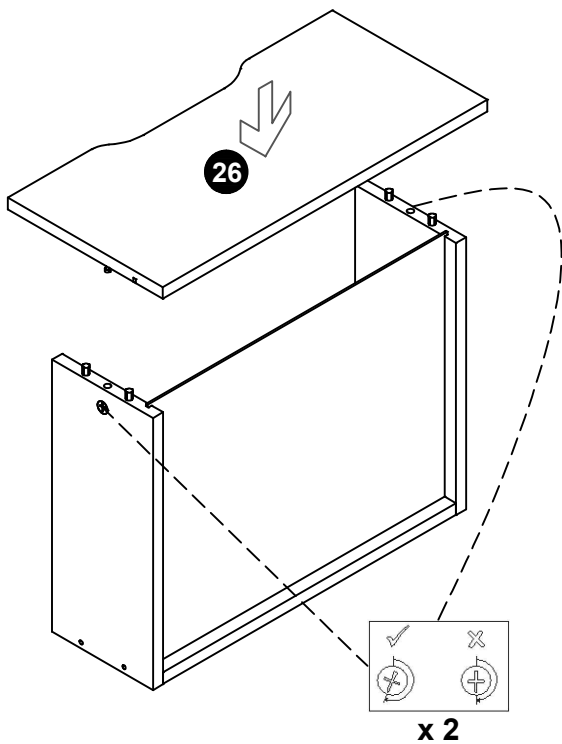
Do This Step 3 Times

36





Do This Step 3 Times

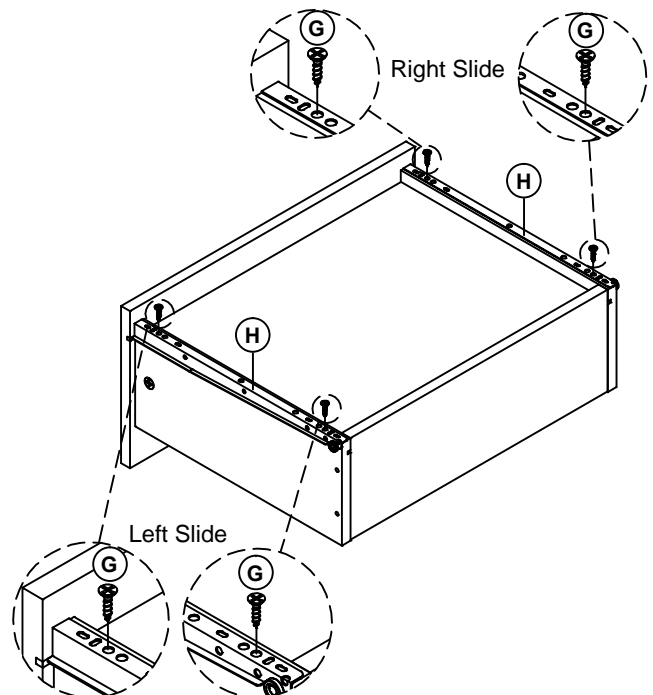
37



Do This Step 3 Times

38

 G x 12
 H x 3 sets



Do This Step 3 Times

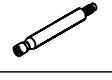
Guide To Assembly

Model : MG 7777

39

 A x 3

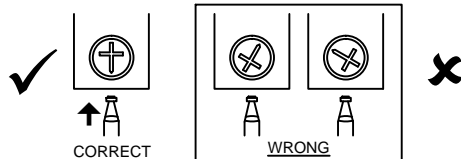
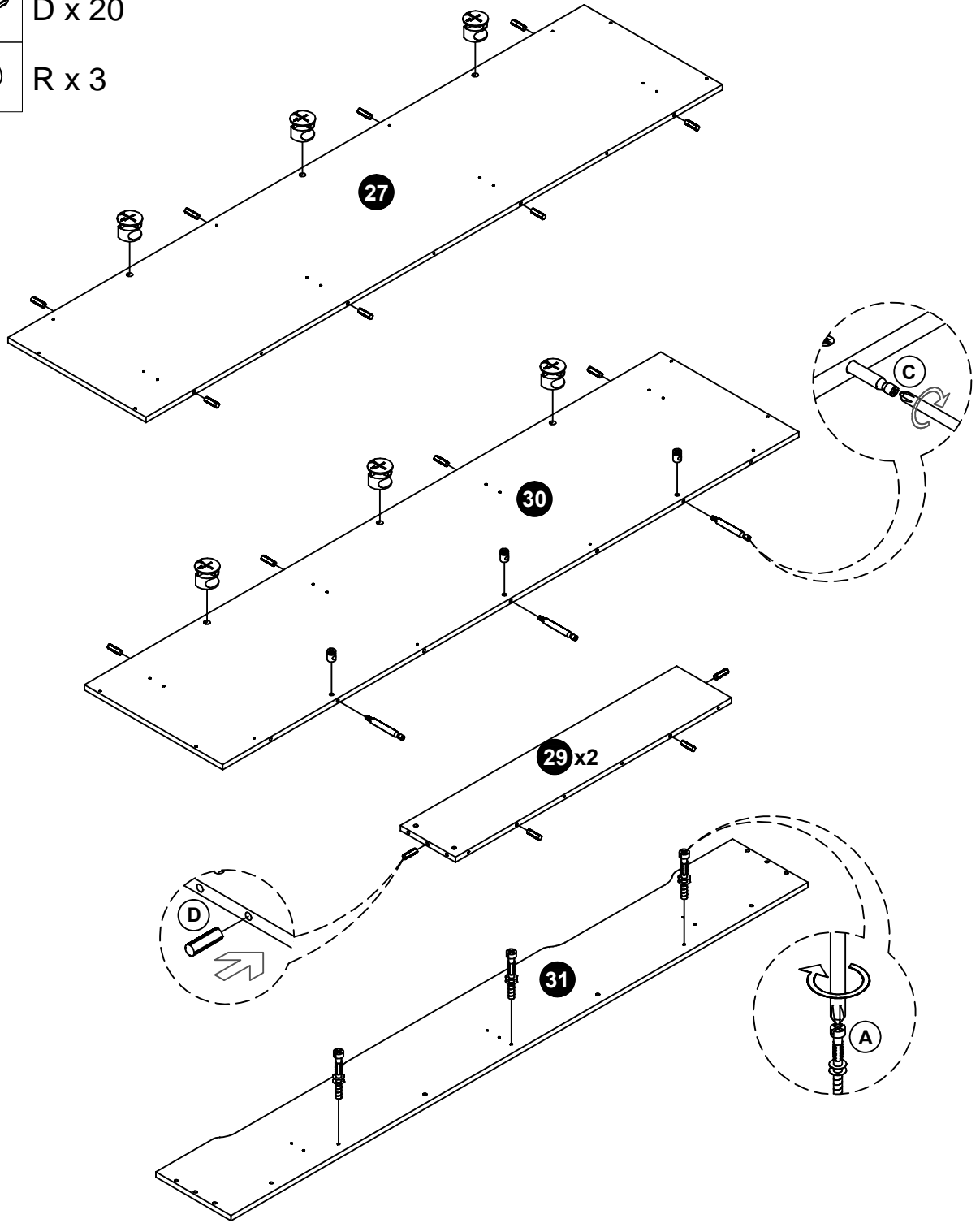
 B x 6

 C x 3

 D x 20

 R x 3

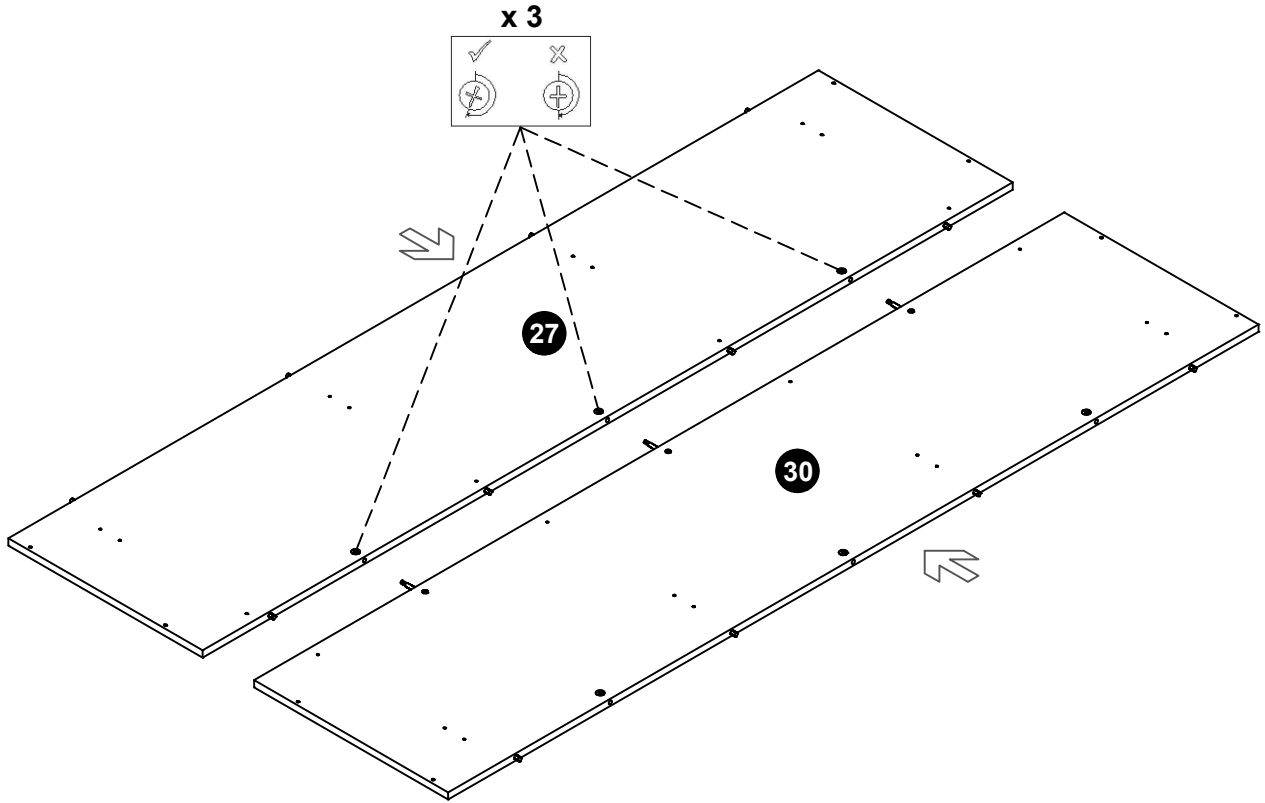
WHEN FITTING CAMS
 ENSURE STARTING POSITION IS CORRECT
 BEFORE YOU INSERT CONNECTING BOLT
 TURN CLOCKWISE UNTIL SECURE

Guide To Assembly

Model : MG 7777

40



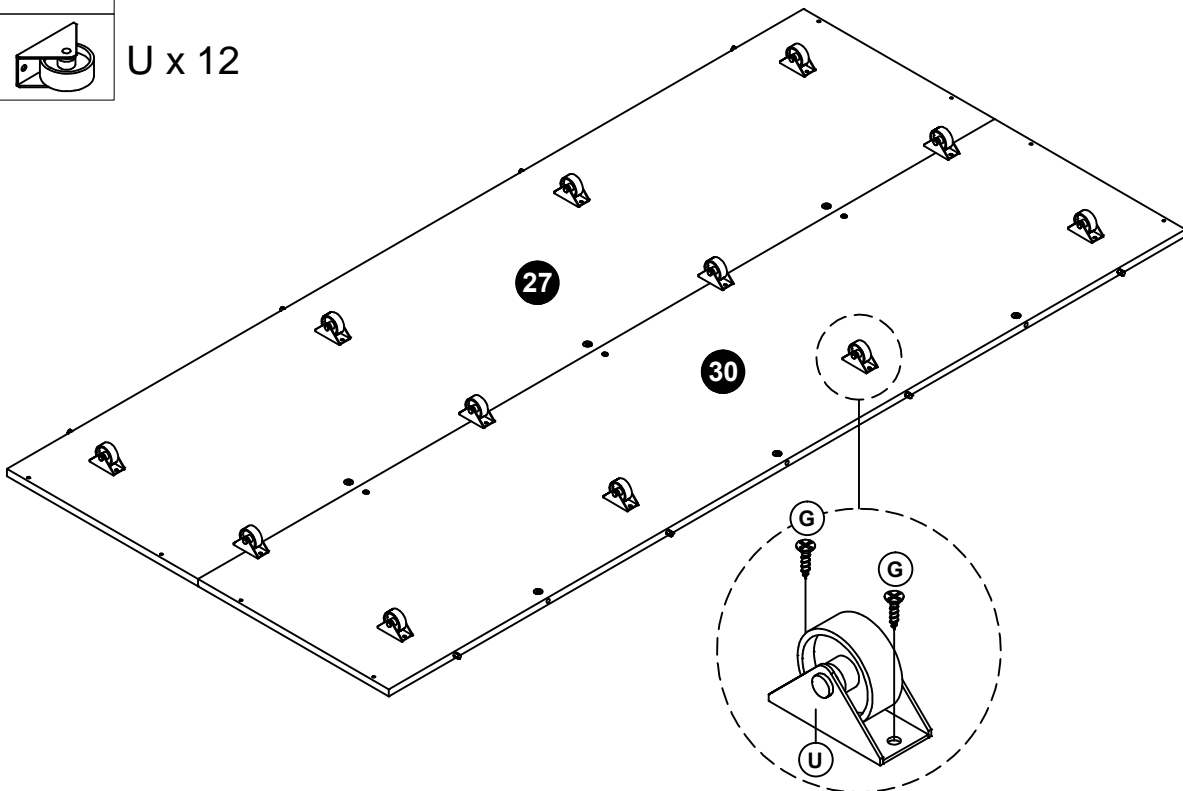
41



G x 24



U x 12



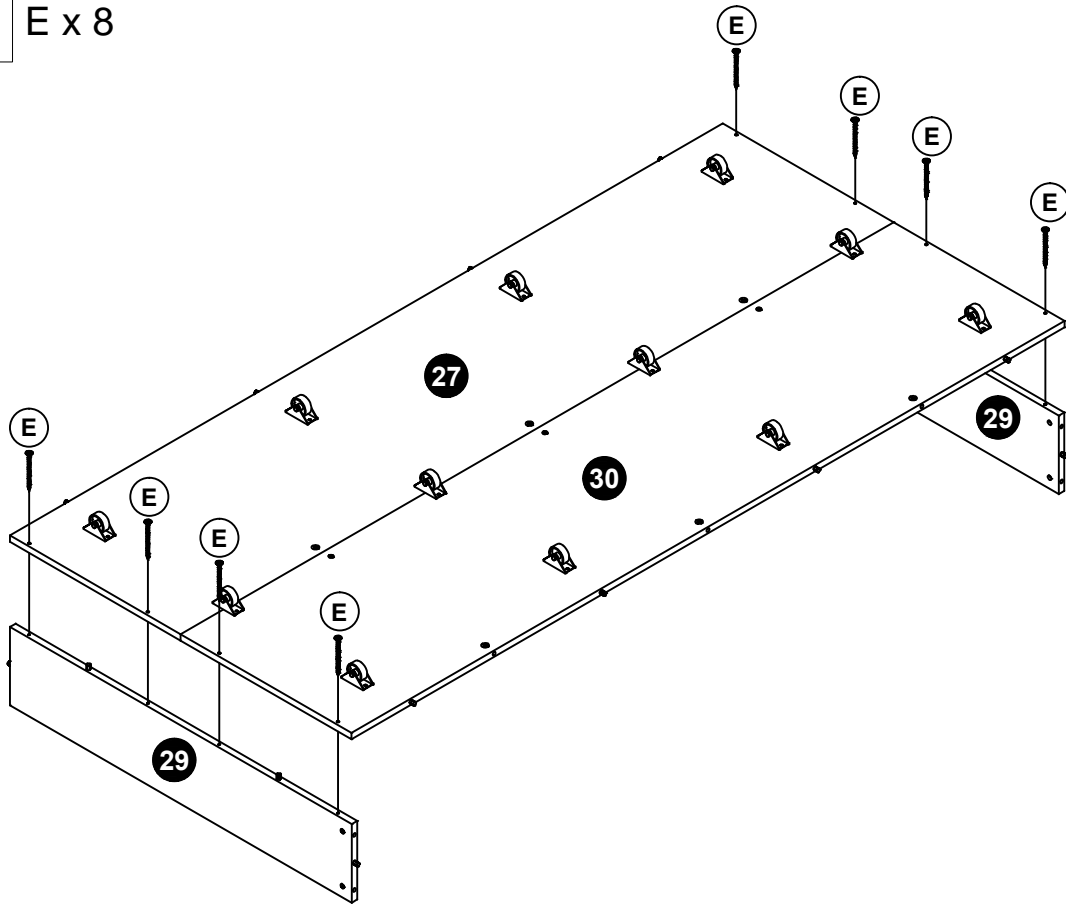
Guide To Assembly

Model : MG 7777

42



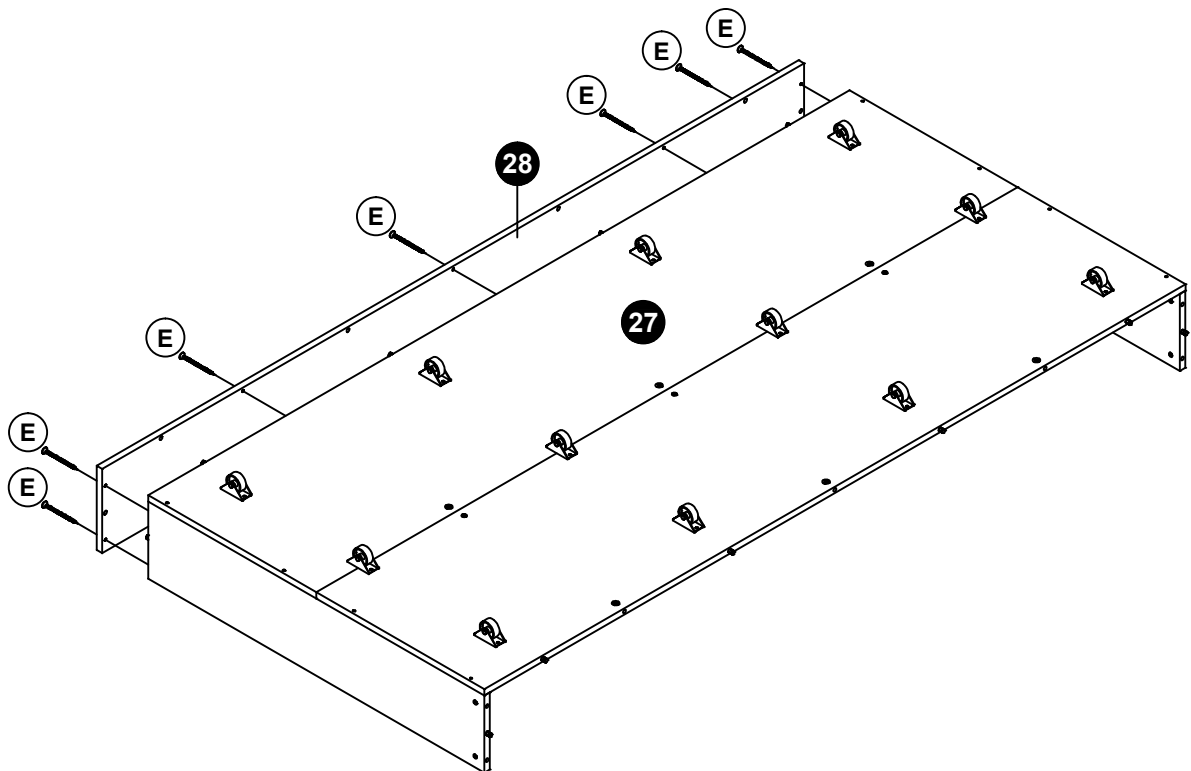
E x 8



43



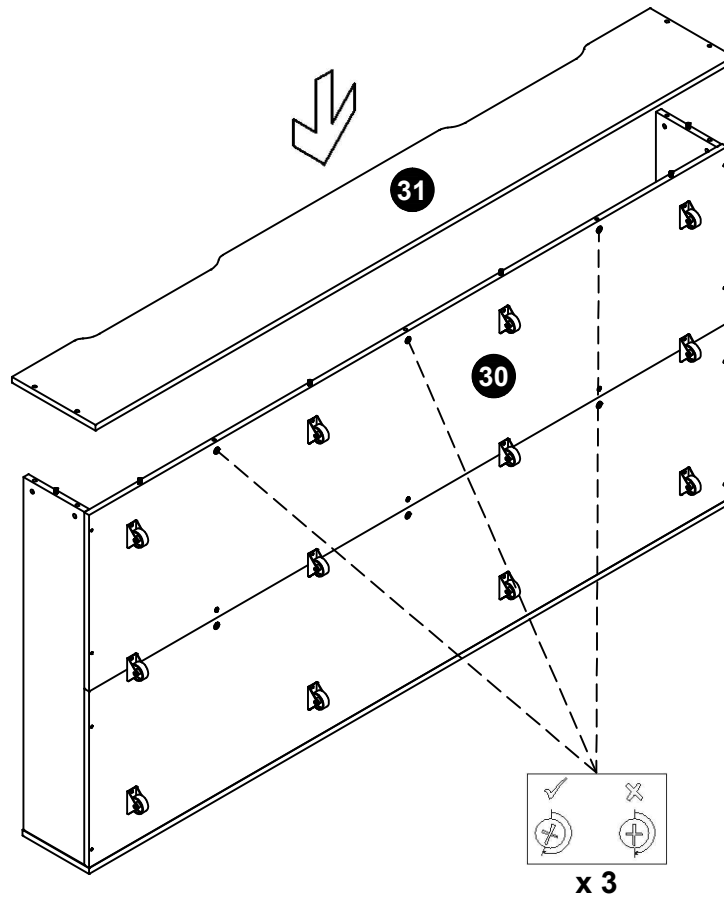
E x 7





Guide To Assembly

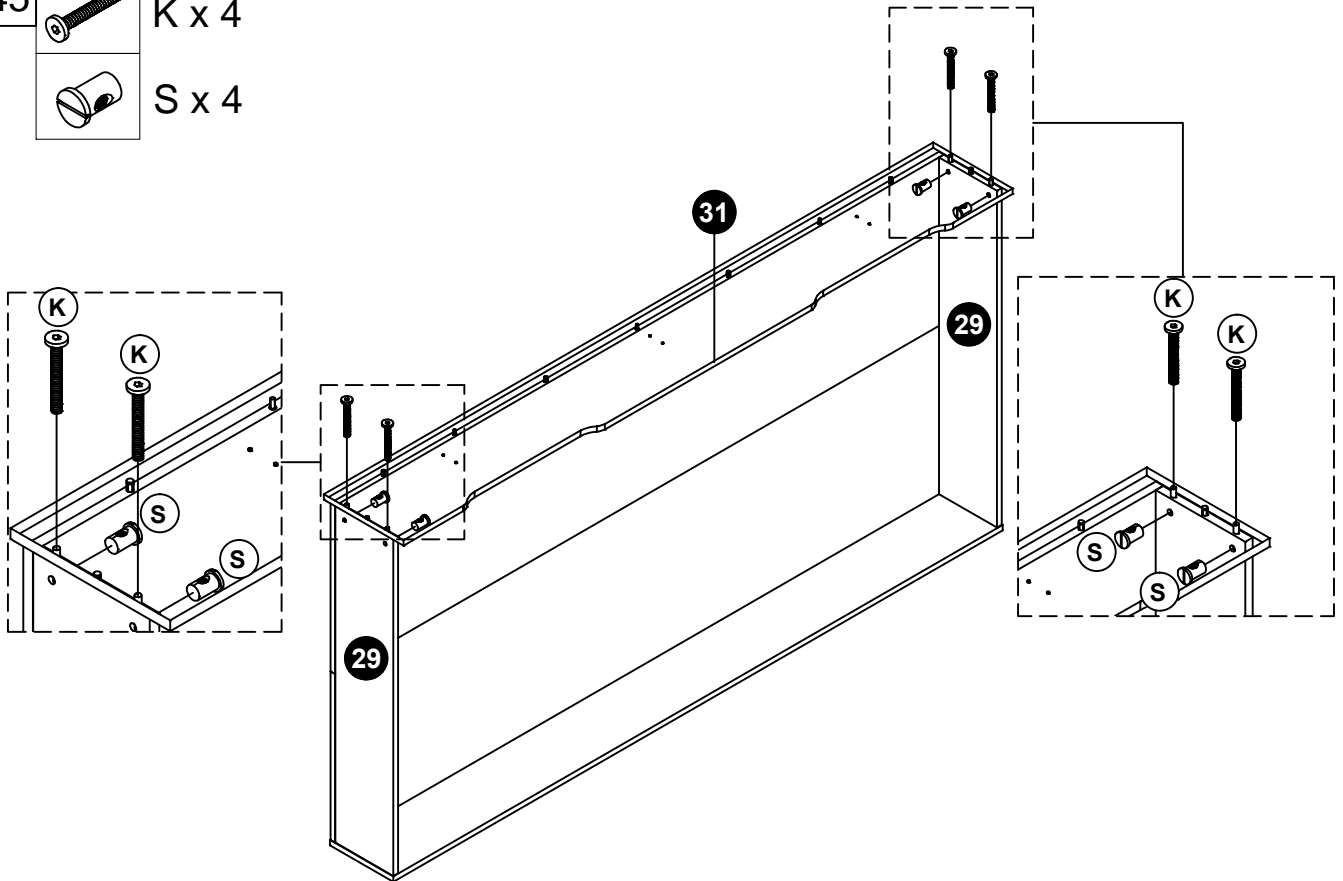
Model : MG 7777

44



45

-  K x 4
-  S x 4



Guide To Assembly

Model : MG 7777

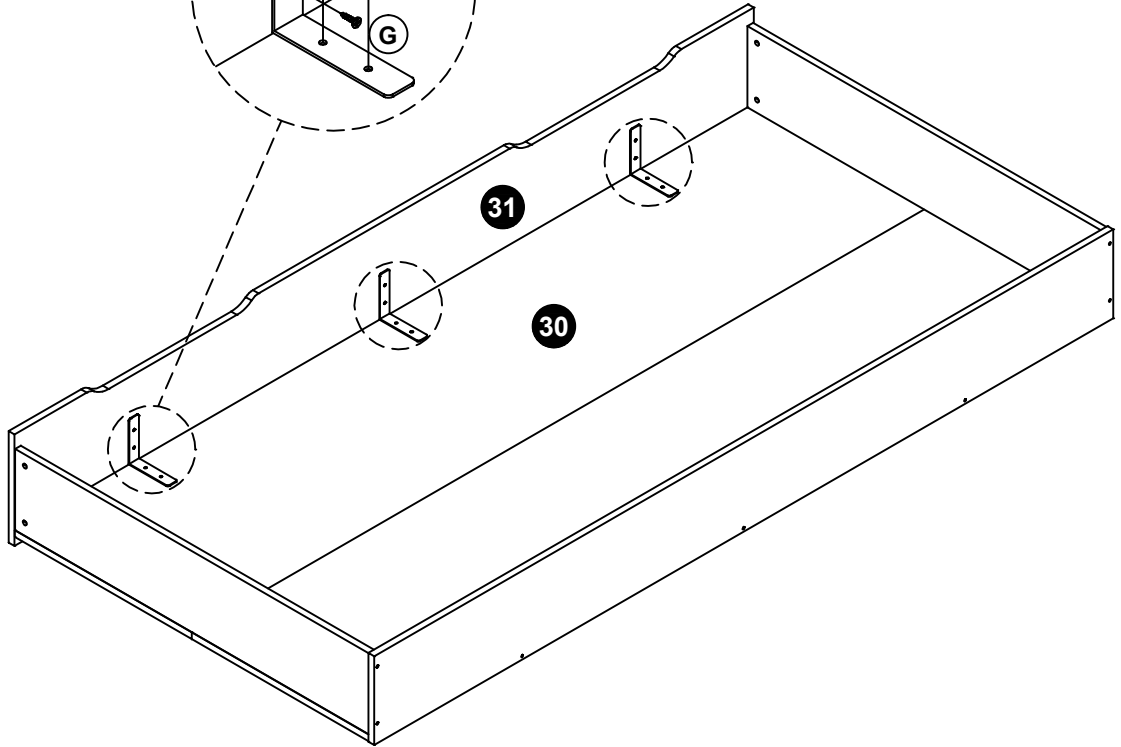
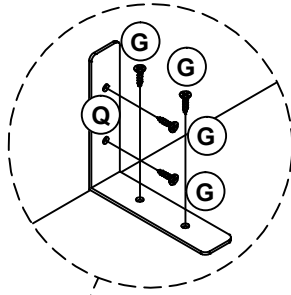
46



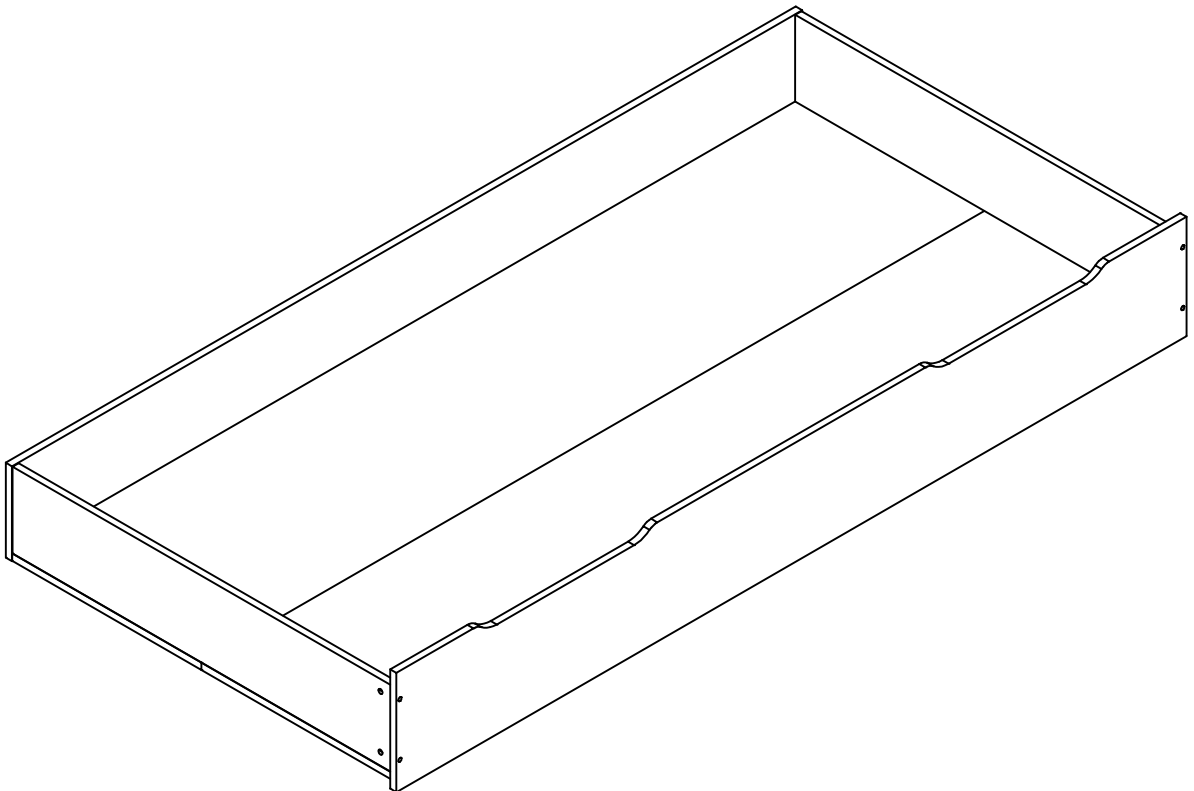
G x 12



Q x 3



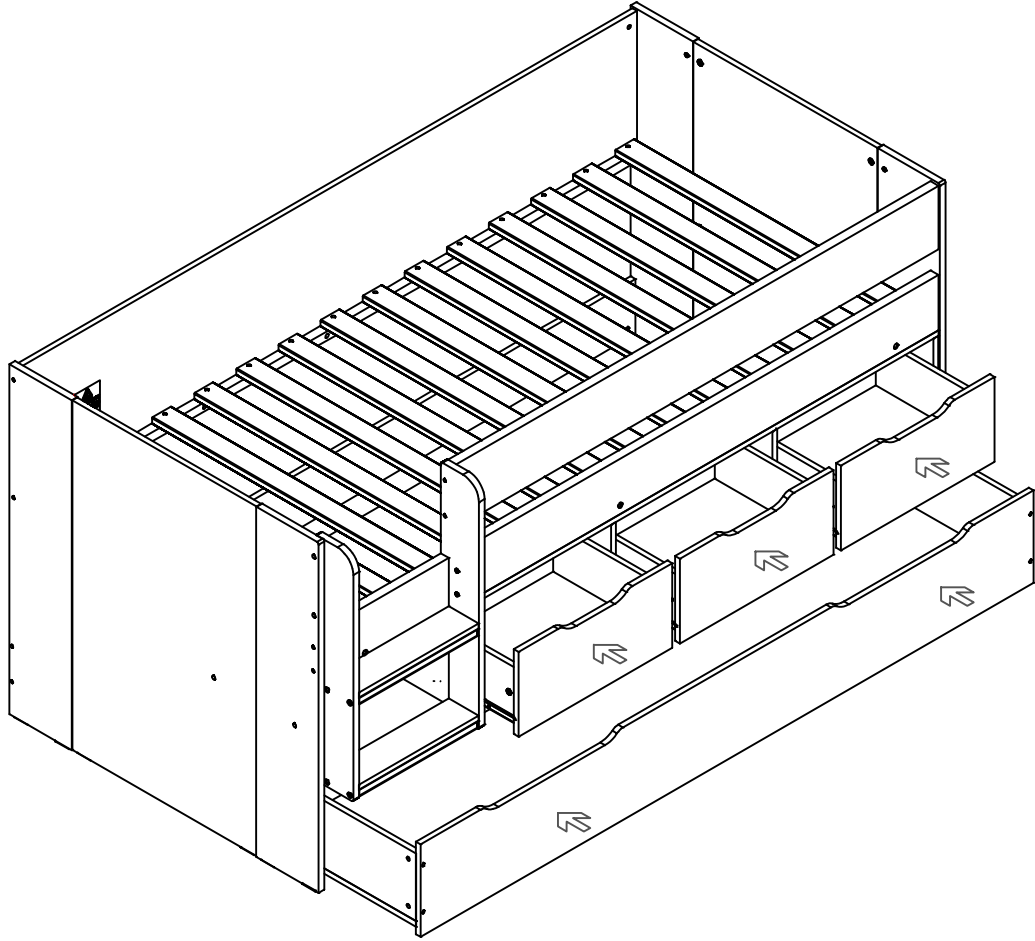
47



Guide To Assembly

Model : MG 7777

48



49

