



Boss Small Double Gaming Bed

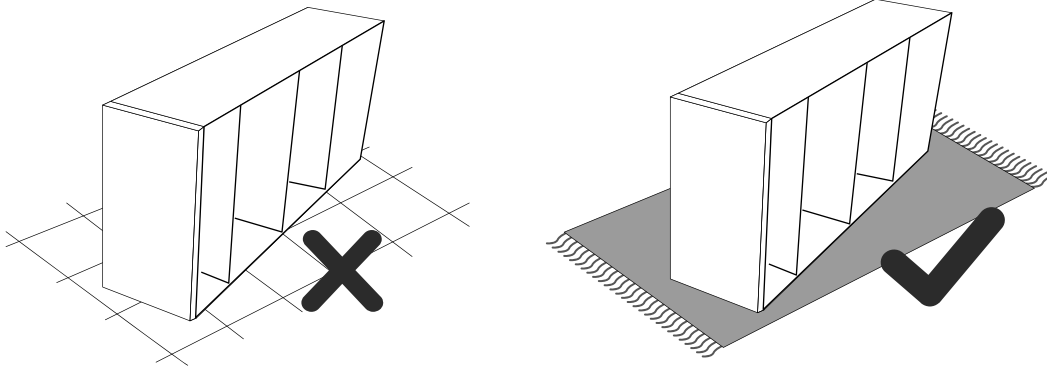
Assembly Instructions

IMPORTANT: Please Read Carefully and Retain for Future Reference

- High beds and the upper bed of a bunk bed is not suitable for children under six years due to the risk of injury from falling.
- High beds and Bunk beds can present a serious risk of injury from strangulation if not used correctly. Never attach or hang items to any part of the bunk bed that are not designed to be used with the bed, for example but not limited to: ropes, strings, cords, hooks, belts and bags.
- Children can become trapped between the bed and the wall, a roof pitch, the ceiling, adjoining pieces of furniture and the like. To avoid risk of serious injury the distance between the top safety barrier and any adjoining structure should not exceed 75mm or be more than 230mm.
- Do not use the bed if any structural part is broken or missing.
- Always use the tools indicated on the assembly leaflet and follow the manufacturer's instructions.
- Please regularly check that all assembly fastenings are properly tightened.
- The recommended size of the mattress (es) is 190 x 90cm.
- Please pay attention to the maximum mattress thickness which is 16cm for high beds and upper bunks but may be less for trundle drawers.
- The use of water or sleep flotation mattresses is prohibited.
- Ventilation of the room is necessary to keep the humidity low and to prevent mould in and around the bed.
- Do not place the bed near a heat source such as electrical heating, gas heating etc. to avoid any fire hazard.
- Never clean your bed with abrasive cleaners or strong detergents. Clean ONLY by wiping with a damp cloth and drying with a soft cloth.
- Conforms to the European Standard EN 747-1:2012 + A1:2015

Advice and Tips:

- Before you start, please read instructions carefully and retain for future use.
- Please dispose of packing materials carefully and respectfully. Keep plastic bags away from small children. Ensure small children are kept clear during assembly as this pack contains small parts.
- Build the item on a protected surface and avoid contact with hard flooring to limit damages which may occur during installation.

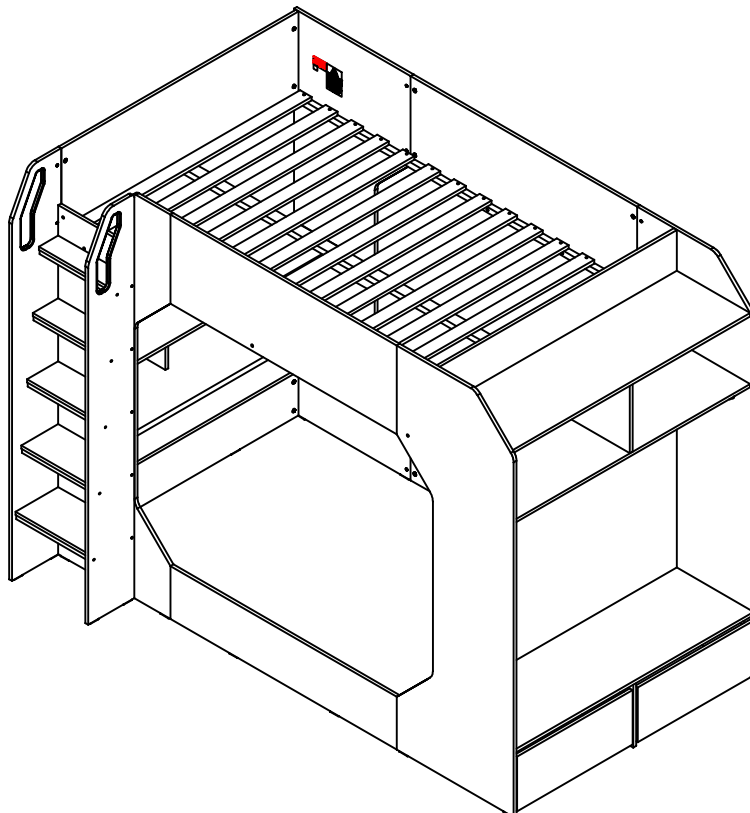
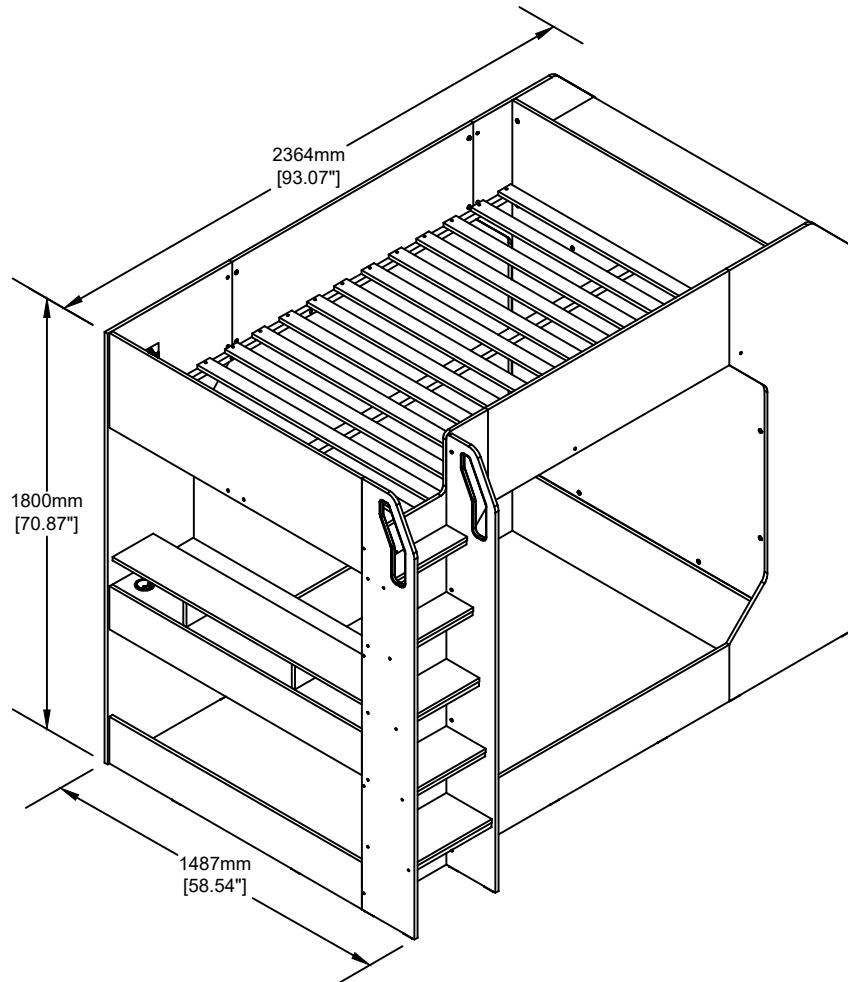


- Bouncing on or using this bed in a manner other than its intended purpose could damage the frame or cause serious injury to your child.
- Use of a night light may provide added safety precaution for a child using the upper bunk.
- If it is necessary to move the bed once installed, we advise that you avoid pushing the bed into place as this may weaken the bed and result in damage and breakages. The bed should be carefully lifted by 2 or more strong people into its final position.

Model : BOSS POD GAMING HIGH SLEEPER

Product Size : 1220mm x 1930mm (Base Int Size)

Thank you for purchasing this product. Before starting assembly we suggest you spend a short time reading through this leaflet, then follow the simple step by step guide. Two people are needed to assemble this product.



Model : BOSS POD GAMING HIGH SLEEPER

Product Size : 1220mm x 1930mm (Base Int Size)

TOP TIPS BEFORE YOU START !

IMPORTANT - READ CAREFULLY - RETAIN FOR FUTURE REFERENCE

1. Please check that all parts & hardware are present before you start the assembly of your furniture.
2. For ease and speed of assembly, we recommend that before you commence each step of the assembly, Please identify all the parts required for that step.
3. We recommend that where possible, all items are assembled near to the area in which they will be placed in use, to avoid moving the product unnecessarily once assembled.
4. For the protection of your furniture, particularly items of high gloss finish, we recommend that the product is placed on a Protected surface during assembly to prevent any damage.
5. During assembly please take care not to over-tighten any fittings, as this may damage the product.

CARE AND MAINTENANCE OF YOUR FURNITURE

- Please periodically check all fittings and re-tighten as necessary.
- To clean your item, please use a damp cloth and wipe clean.
- Never allow any kind of liquid to remain on your furniture. Absorption can cause wood to warp or finishes to de-laminate.
- Please do not place hot items (e.g hot drinks) directly on the wood surface.
- Please do not drag or pull your furniture.

IMPORTANT INFORMATION

1. Thickness of mattress should not exceed 186mm.
2. Children should be discouraged from playing on top of this bunk bed.
3. The bunk bed should be checked periodically by the owner to ensure that the guardrail, ladder, and other components are maintained in the correct position and state of repair and that all connectors are tight.
4. A bunk bed is not to be placed near a ceiling fan unless the distance between the closest points on the ceiling fan bunk Bed is at least 2 metres.
5. Use guardrails on both sides of upper bunk.
6. Prohibit horseplay on or under bed(s).
7. Prohibit more than one person on upper bunk.
8. Use Ladder for entering and leaving upper bunk.
9. If the bunk bed will be placed next to the wall, the guardrail that runs the full length of the bed should be placed against The wall to prevent entrapment between the bed and the wall.
10. **WARNING** Do not use the bunk bed/high bed if any structural part is broken or missing.
11. Ventilation of the room is necessary in order to keep the humidity low and to prevent mould in and around the bed.
12. **WARNING** "high beds & the upper bed of bunk beds are not suitable for children under six years due to risk of injury from falls";
13. **WARNING** "children can become trapped between the bed & the wall, a roof pitch, the ceiling, adjoining pieces of furniture (e.g.cupboard) and the like. To avoid risk of serious injury the distance between the top safety barrier and the adjoining structure shall not exceed 75mm nor shall be more than 230mm"
14. always follow the manufacturer's instruction;
15. Recommended Mattress Size : 90cm x 190cm (UK Single) with Maximum Depth of 18.6cm
16. This item conforms to European Safety Standards - BS EN 747-1 : 2012 + A1 : 2015 & BS EN 747-2 : 2012 + A1 : 2015
17. **WARNING** "Bunk beds and high beds can present a serious risk of injury from strangulation if not used correctly. Never attach or hang items to any part of the bunk bed that are not designed to be used with the bed, for example, but not limited to ropes, strings, cords, hooks, belts and bags"
18. High beds and the upper bed of bunk beds is suitable for a maximum mattress thickness of 169mm. The top of mattress must not come above the line marked on the bed.

STRANGULATION HAZARD:

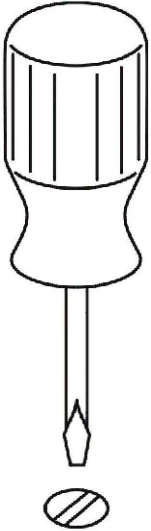
19. Never attach or hang items to any part of the bunk bed that are not designed for use with the bed for example, but not limited to hook, belt and jump ropes.

Guide To Assembly

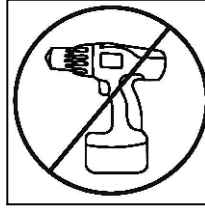
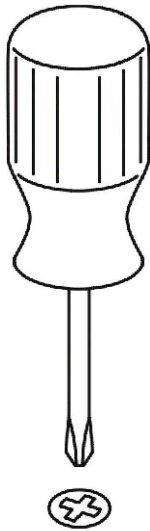
Model : BOSS POD GAMING HIGH SLEEPER

Tools Required For Assembly

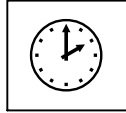
FlatHead Screwdriver



Phillips Screwdriver



DO NOT USE POWER TOOLS TO ASSEMBLE THIS PRODUCT. USE OF POWER TOOLS WILL INVALIDATE ANY CLAIM AND MAY DAMAGE THIS PRODUCT MAKING IT UNSAFE.

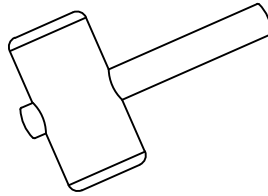


Approximately 3 hours

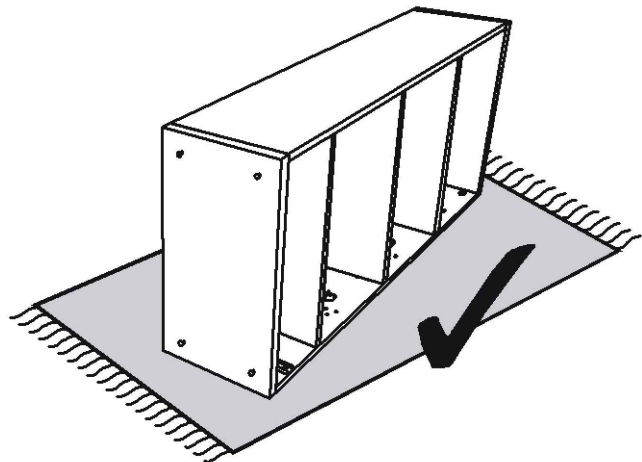
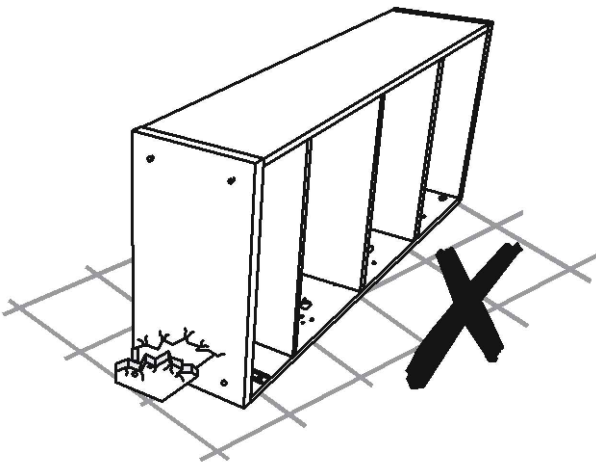
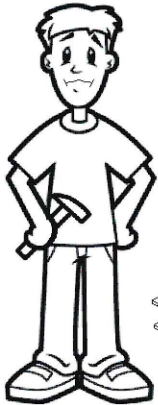
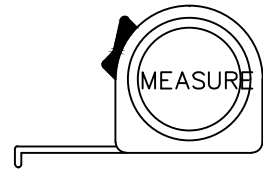


2 People Required

Rubber Hammer



Measure



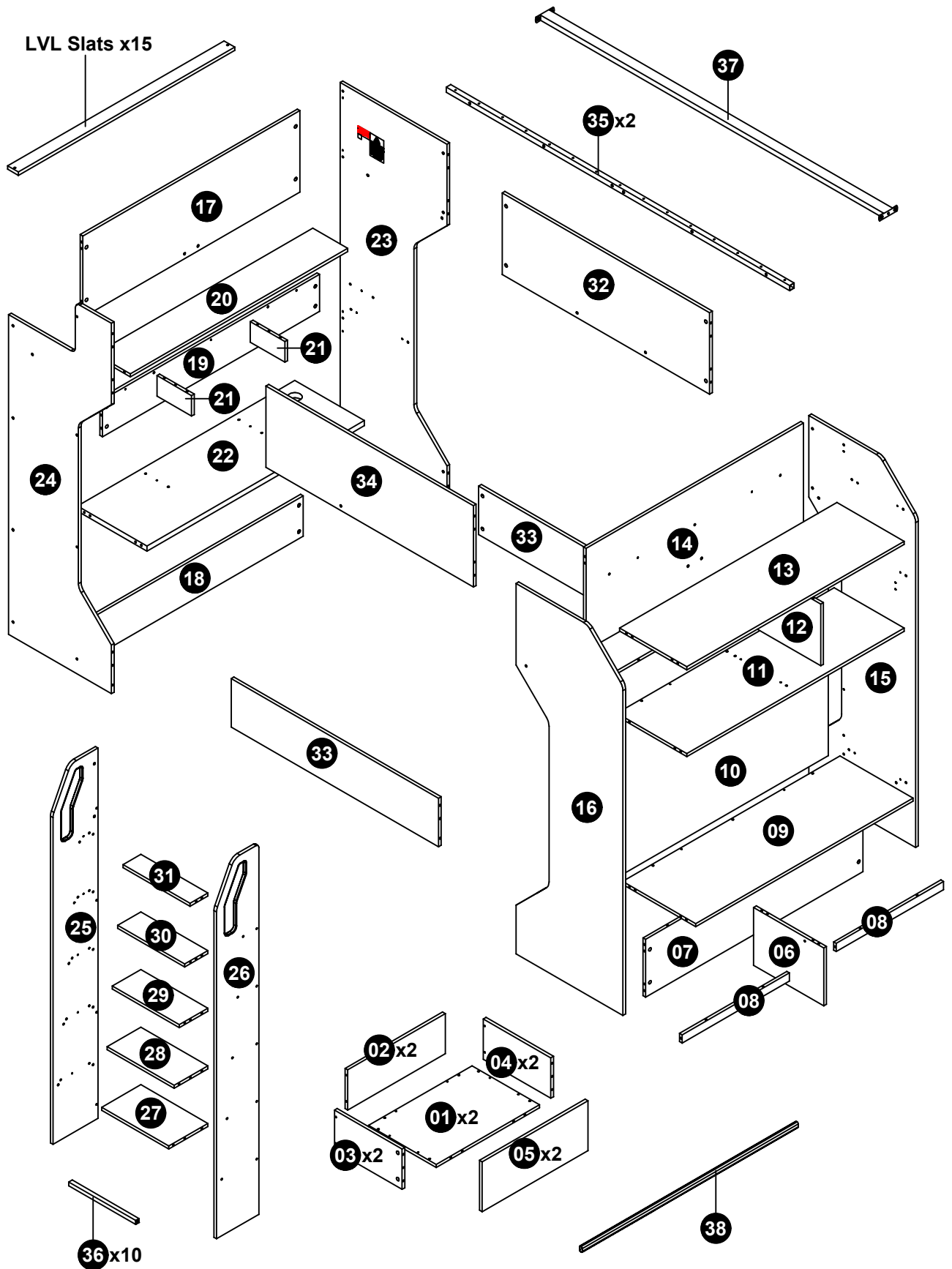
Part List

Model : BOSS POD GAMING HIGH SLEEPER

Carton 1 of 4			Carton 3 of 4		
No.	Part Name	Pcs	No.	Part Name	Pcs
06	Support Panel (Drawer Cabinet)	1	01	Bottom Panel (Drawer)	2
08	Plinth Panel (Drawer Cabinet)	2	02	Back Panel (Drawer)	2
09	Top Panel (Drawer Cabinet)	1	03	Left Panel (Drawer)	2
10	Support Panel (Desk)	1	04	Right Panel (Drawer)	2
11	Bottom Panel (Open Shelf Cabinet)	1	05	Front Panel (Drawer)	2
12	Center Panel (Open Shelf Cabinet)	1	18	Left End Panel (Lower)	1
13	Top Panel (Open Shelf Cabinet)	1	19	Back Panel (Desk)	1
14	Back Panel (Open Shelf Cabinet)	1	20	Upper Top Panel (Desk)	1
Assembly Instructions + Fitting List			21	Top Support Panel (Desk)	2
			22	Top Panel (Desk)	1
				LVL Slats	15
Carton 2 of 4			Carton 4 of 4		
07	Back Panel (Drawer Cabinet)	1	17	Left End Panel (Upper)	1
15	Back Side Panel (Right)	1	25	Left Panel (Ladder)	1
16	Front Side Panel (Right)	1	26	Right Panel (Ladder)	1
23	Back Side Panel (Left)	1	27	1st Ladder Step	1
24	Front Side Panel (Left)	1	28	2nd Ladder Step	1
			29	3rd Ladder Step	1
			30	4th Ladder Step	1
			31	5th Ladder Step	1
			32	Back Center Panel (Upper)	1
			33	Front & Back Center Panel(Bottom)	2
			34	Front Center Panel (Upper)	1
			35	Metal Side Rail	2
			36	Ladder Support Rail	10
			37	Bottom Support Rail	1
			38	Hanging Rail (1212mm)	1

Part List

Model : BOSS POD GAMING HIGH SLEEPER



Fitting List

Model : BOSS POD GAMING HIGH SLEEPER

Carton 1 of 4

Fitting List

No.	Part Name		Pcs
A	Cam Stud (small)		87
B	Cam		105
C	Contractfix Dowel		18
D	M8 x 25mm Wood Dowel		131
E	M8 x 40mm Wood Dowel		1
F	38mm Chipboard Screw		20
G	14mm Chipboard Screw		20
H	M6 x 50mm Allen Bolt		8
J	M6 x 35mm Allen Bolt		30
K	M6 x 30mm Allen Bolt		30
L	M6 x 12mm Allen Bolt		4
M	G-390 Small Nylon Caster		8
N	M6 Round Nut		4
P	M6 JCN Nut		10
Q	PVC Hanging Hook		2
R	R Clip		4
S	LED (1200mm)		1set
T	M6 Allen Wrench		2
U	Felt Pads (45 x 14mm)		22
V	Sticker 25mm		54
W	PVC Cap		1
X	M6 x 13mm Baller		22

Caution

There are many small components used in the construction of this unit. These loose items should be kept away from young children whilst assembling your unit. As an extra precaution, screw cover caps should be permanently fixed in position. (Where applicable)

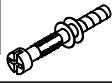
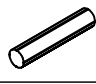




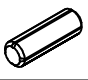
USEFUL HINTS & TIPS

Two people will be required to assemble this unit

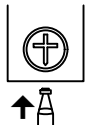
Please keep this assembly instruction for future reference

Guide To Assembly

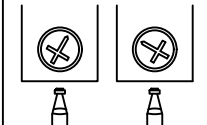
Model : BOSS POD GAMING HIGH SLEEPER

1		A x 36		E x 1
		B x 42		X x 8
		C x 8		Q x 2
		D x 55		

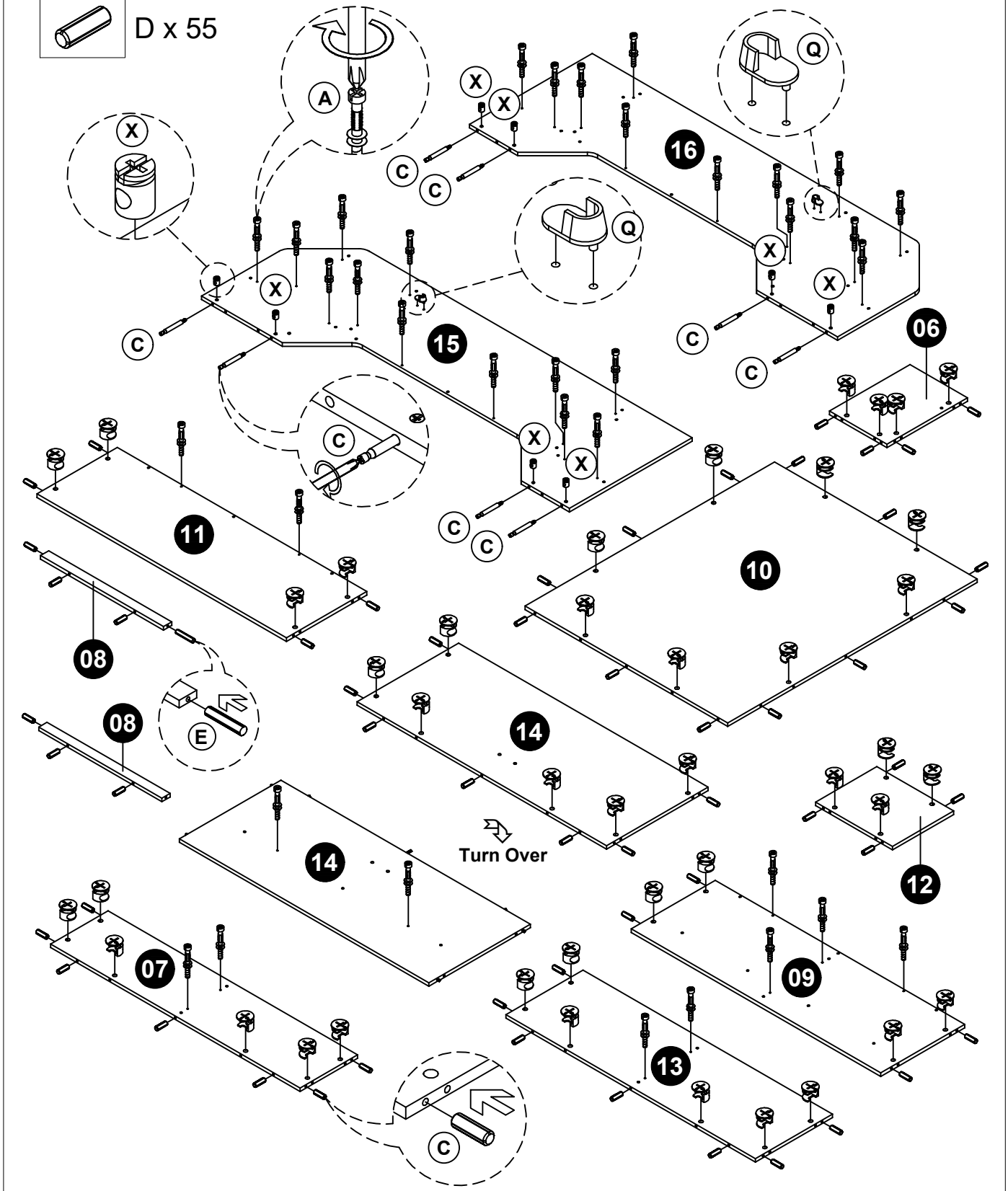
WHEN FITTING CAMS
ENSURE STARTING POSITION IS CORRECT
BEFORE YOU INSERT CONNECTING BOLT
TURN CLOCKWISE UNTIL SECURE



↑
CORRECT

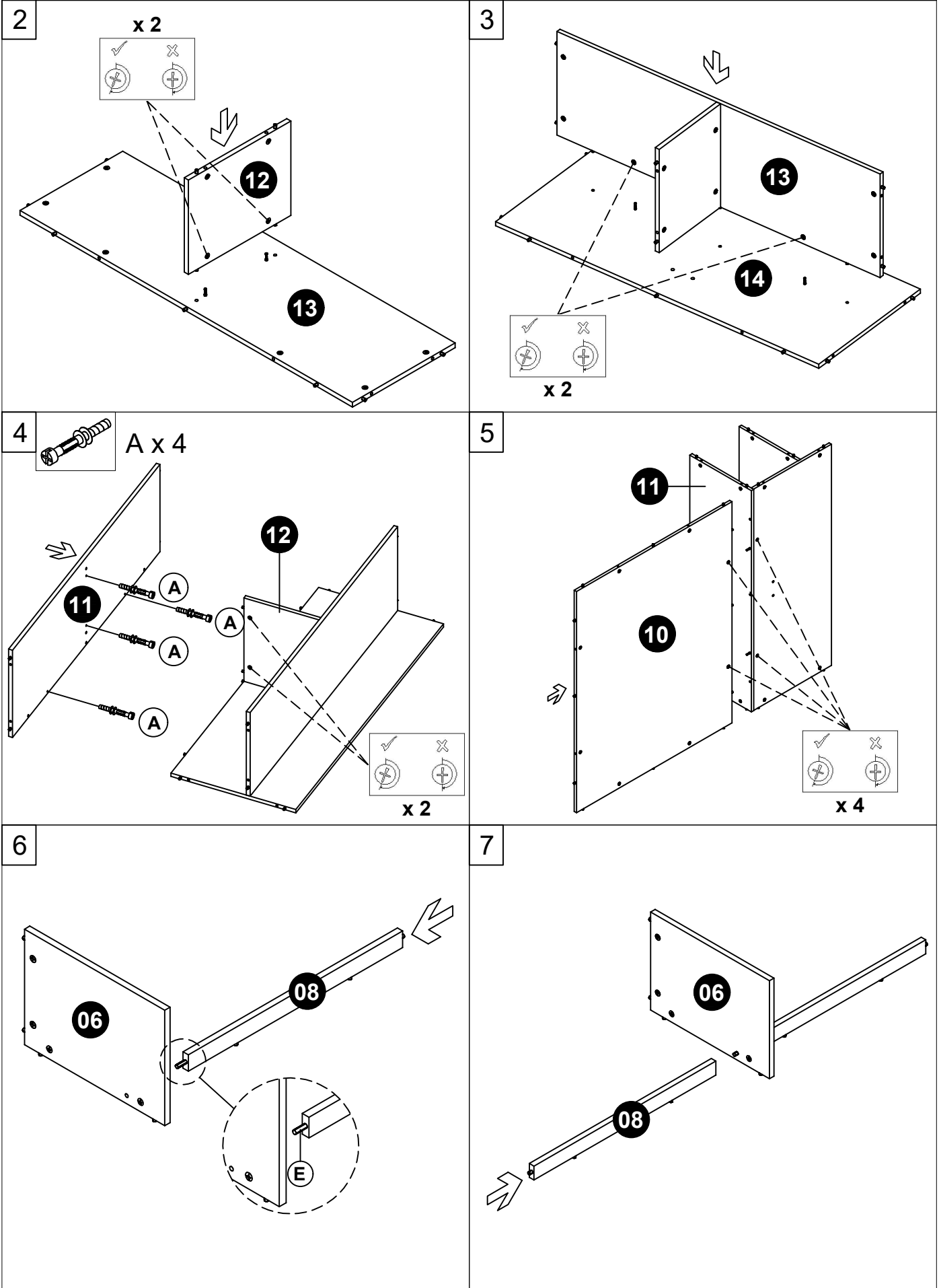


WRONG



Guide To Assembly

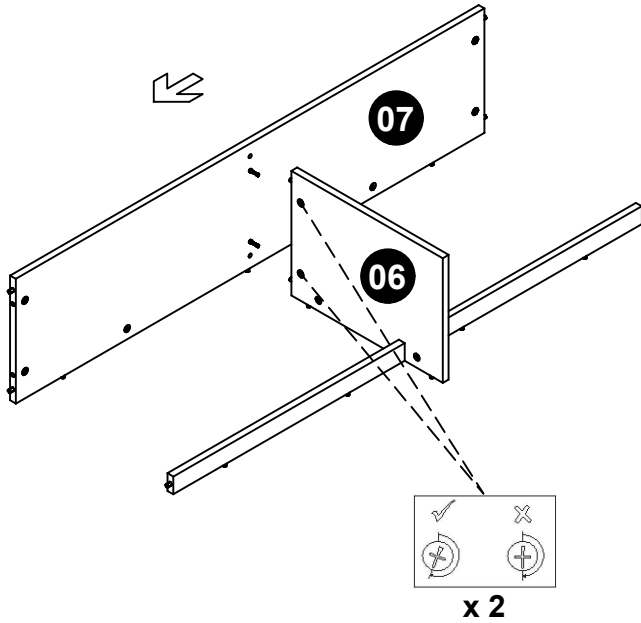
Model : BOSS POD GAMING HIGH SLEEPER



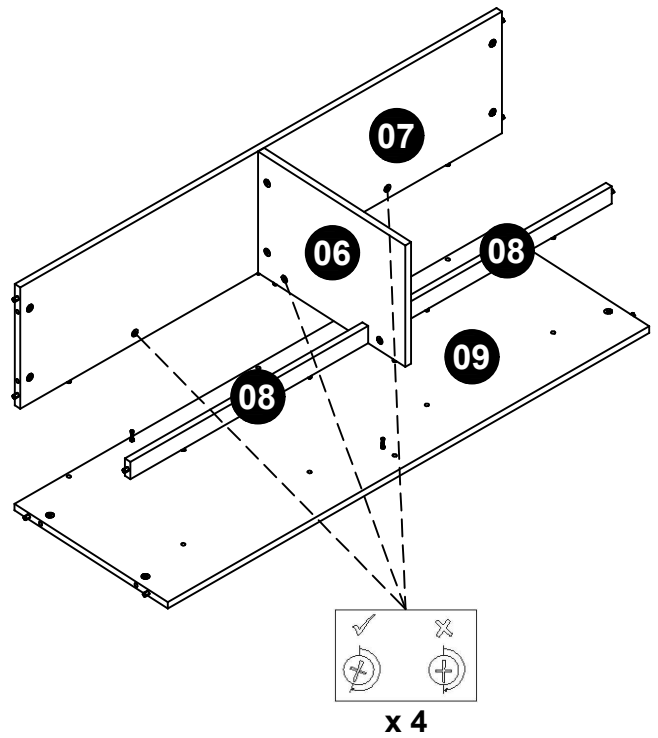
Guide To Assembly

Model : BOSS POD GAMING HIGH SLEEPER

8



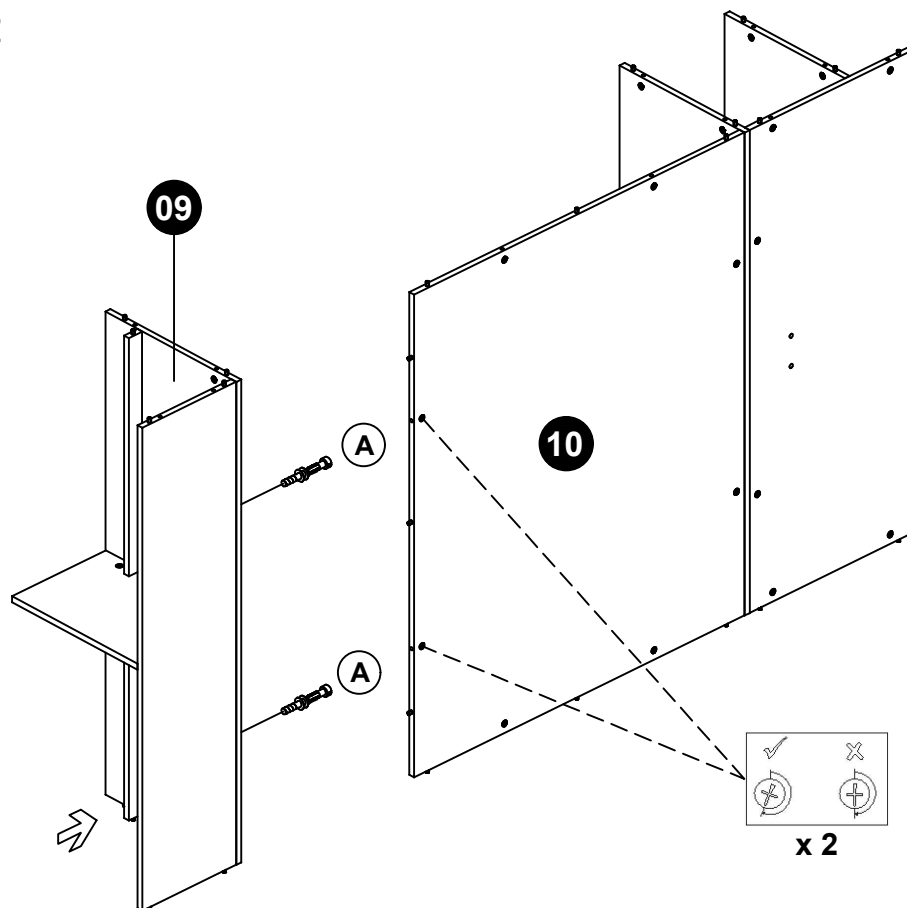
9



10



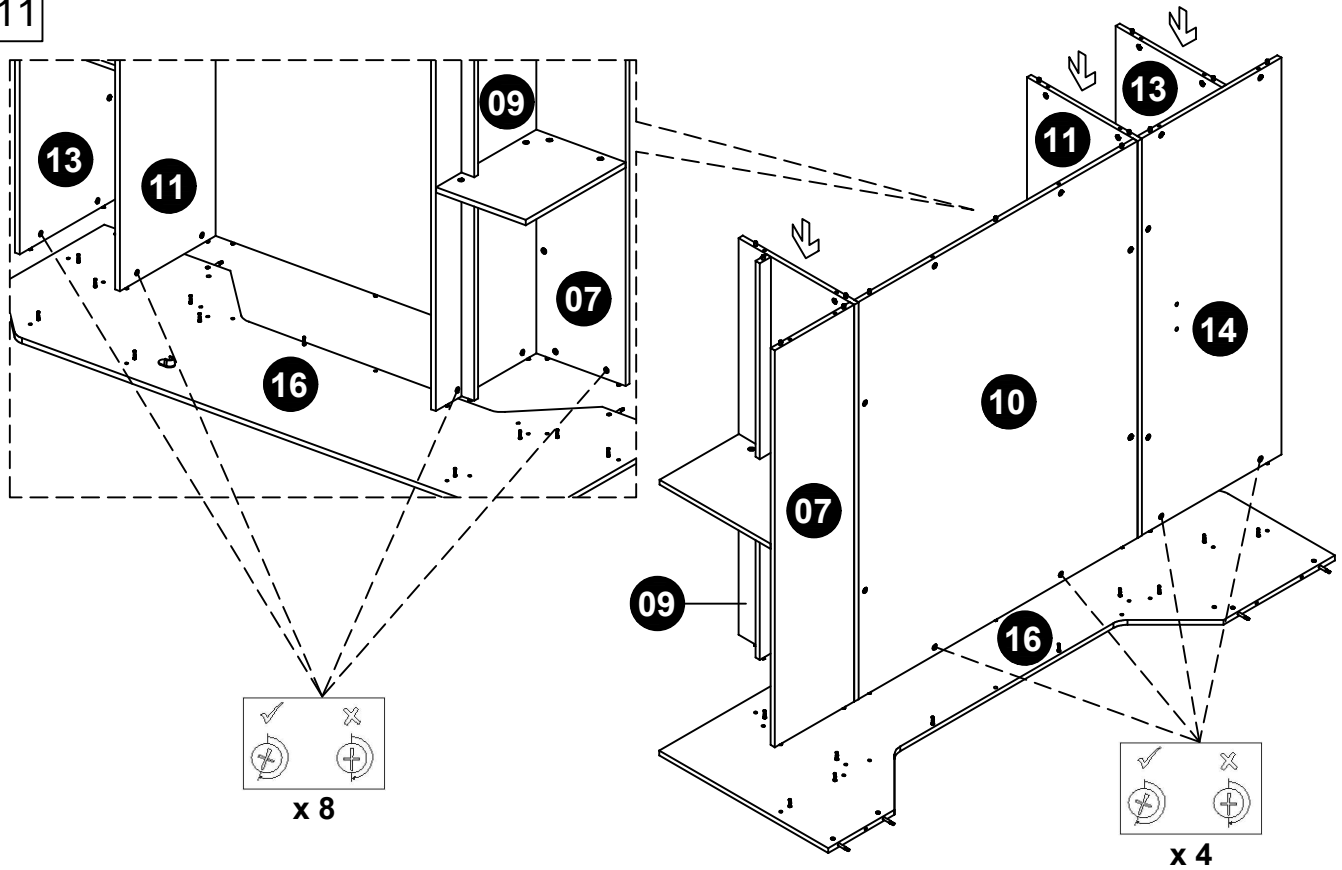
A x 2



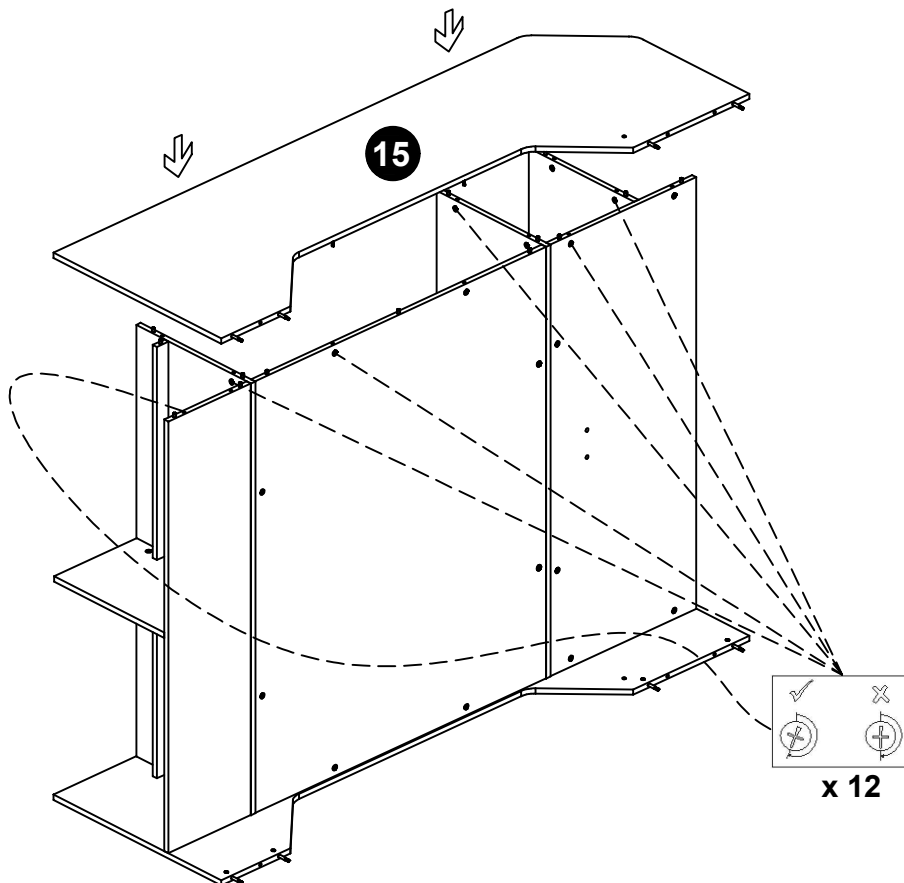
Guide To Assembly

Model : BOSS POD GAMING HIGH SLEEPER

11




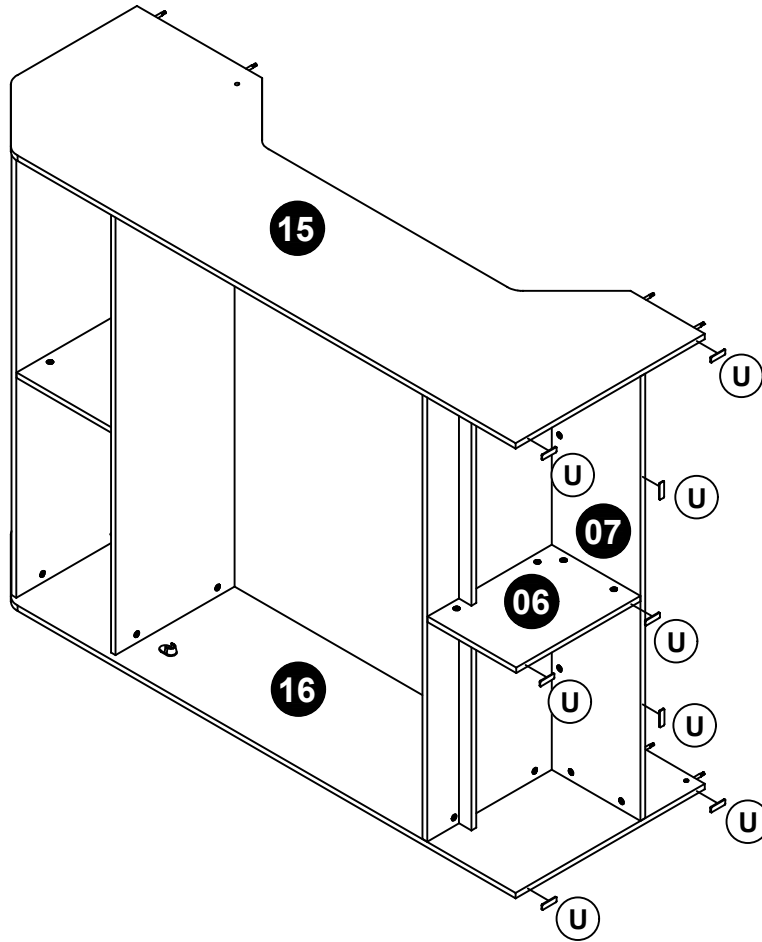
12




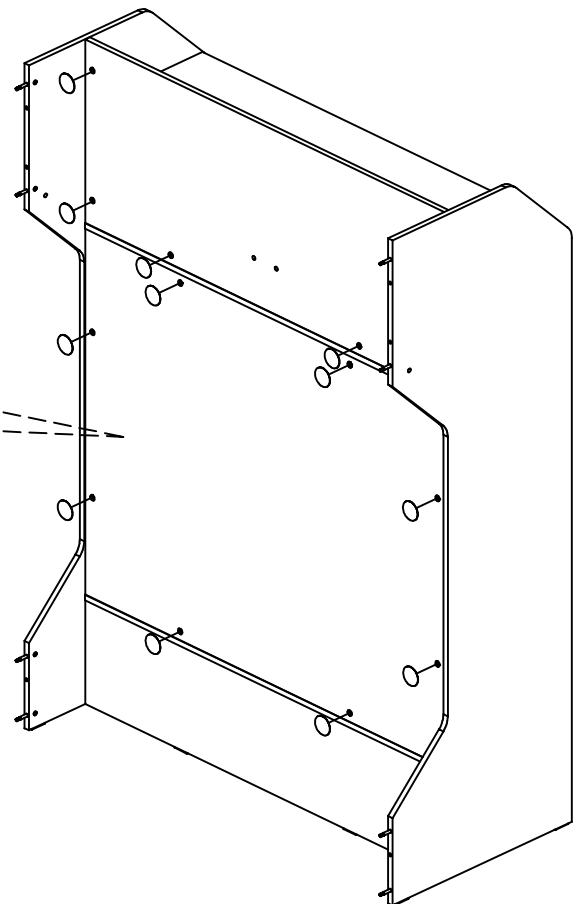
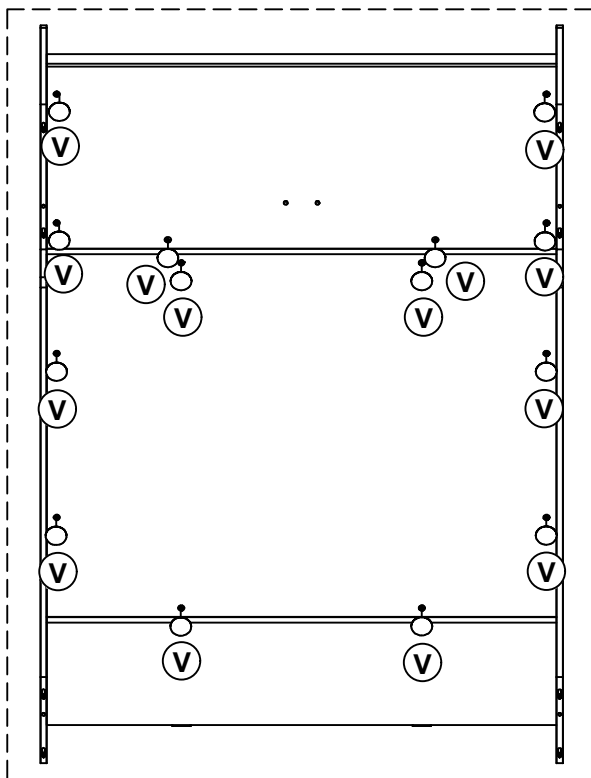
Guide To Assembly

Model : BOSS POD GAMING HIGH SLEEPER

13  U x 8



14  V x 14



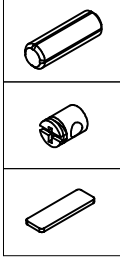
Guide To Assembly

Model : BOSS POD GAMING HIGH SLEEPER

15



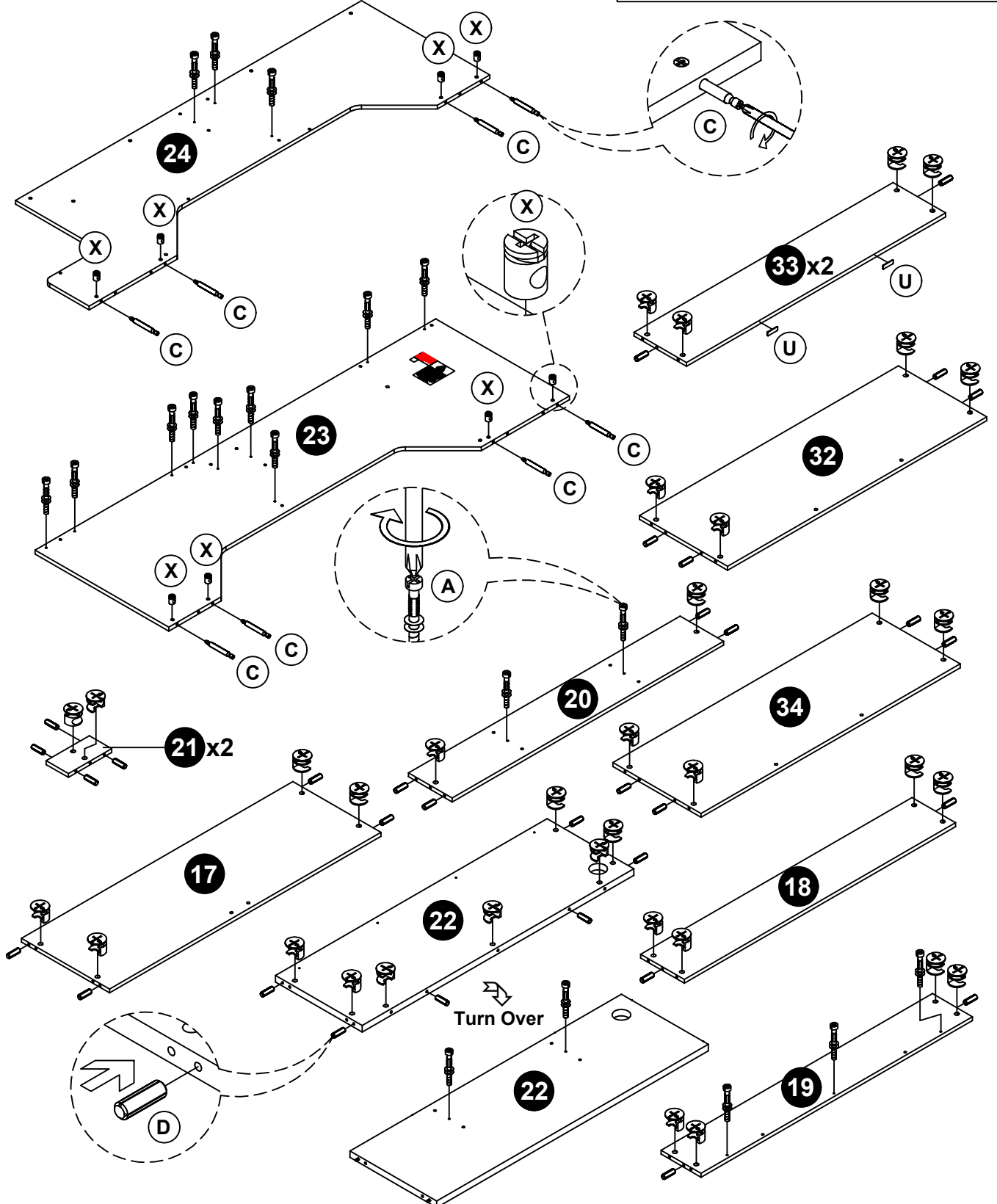
A x 19
B x 41
C x 8



D x 38
X x 8
U x 4

WHEN FITTING CAMS
ENSURE STARTING POSITION IS CORRECT
BEFORE YOU INSERT CONNECTING BOLT
TURN CLOCKWISE UNTIL SECURE


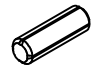



The diagram shows a 'CORRECT' method where a cam is inserted into a hole and a bolt is turned clockwise to lock it. It also shows a 'WRONG' method where a cam is inserted and a bolt is turned counter-clockwise, which is marked with a large 'X'.



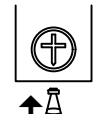
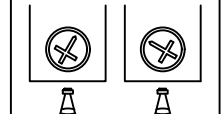
Guide To Assembly

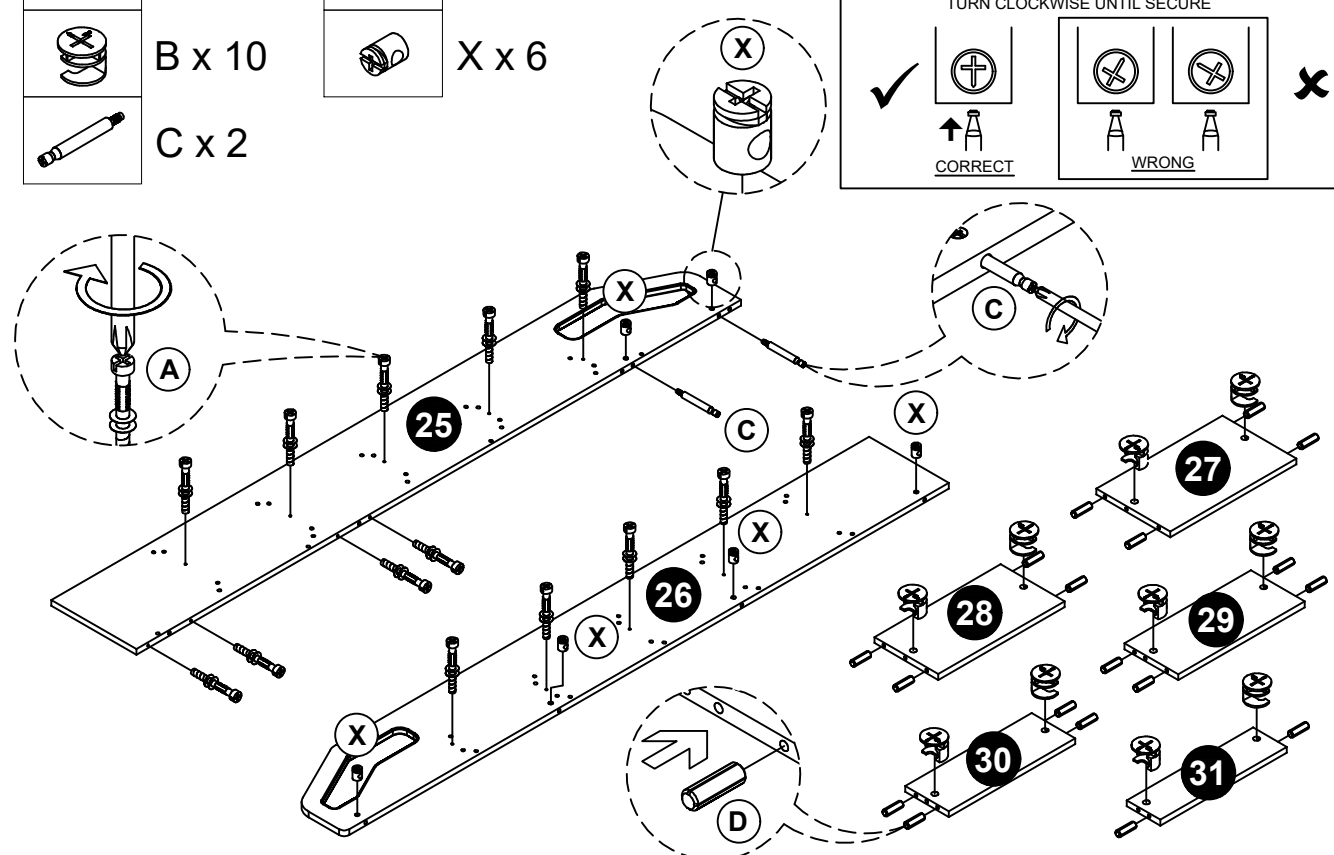
Model : BOSS POD GAMING HIGH SLEEPER

16

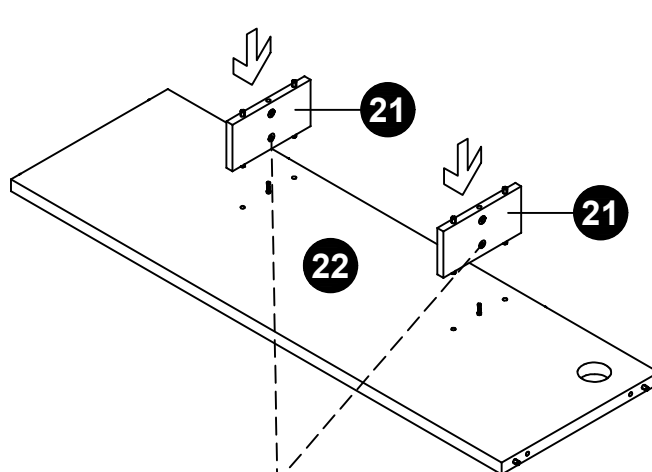
	A x 14		D x 18
	B x 10		X x 6
	C x 2		

WHEN FITTING CAMS
ENSURE STARTING POSITION IS CORRECT
BEFORE YOU INSERT CONNECTING BOLT
TURN CLOCKWISE UNTIL SECURE

CORRECT  **WRONG** 

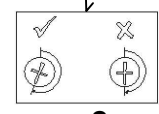


17

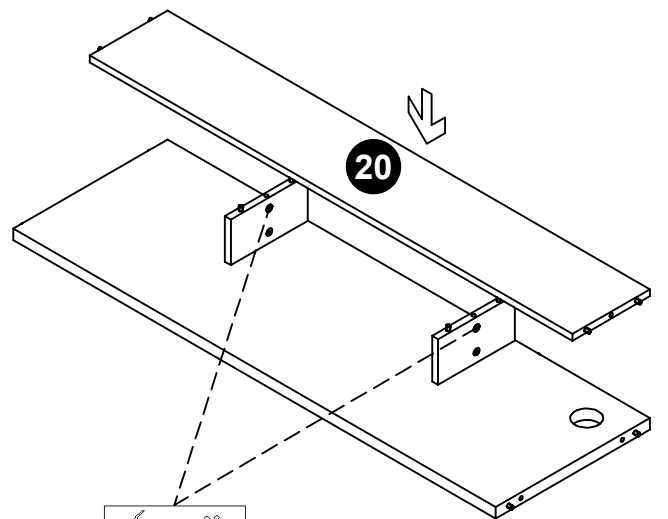


21 **22**

x 2

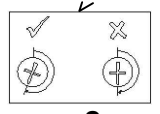


18



20

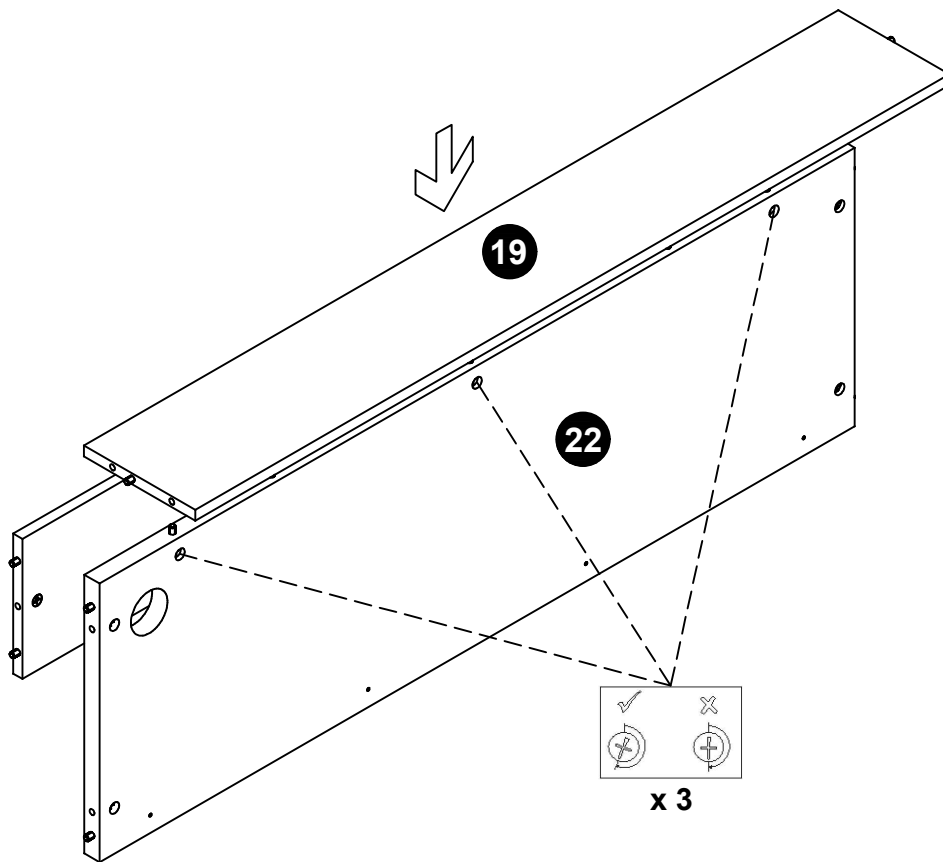
x 2



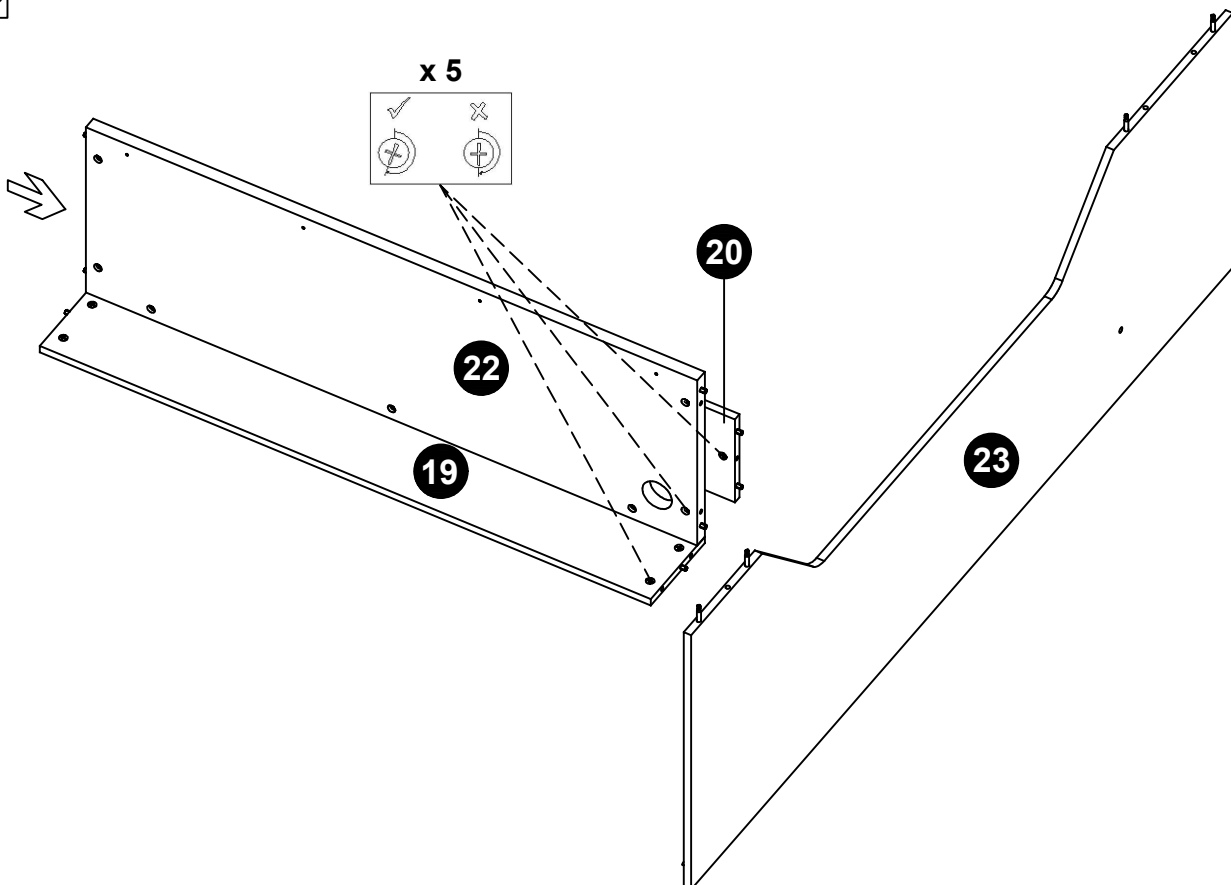
Guide To Assembly

Model : BOSS POD GAMING HIGH SLEEPER

19



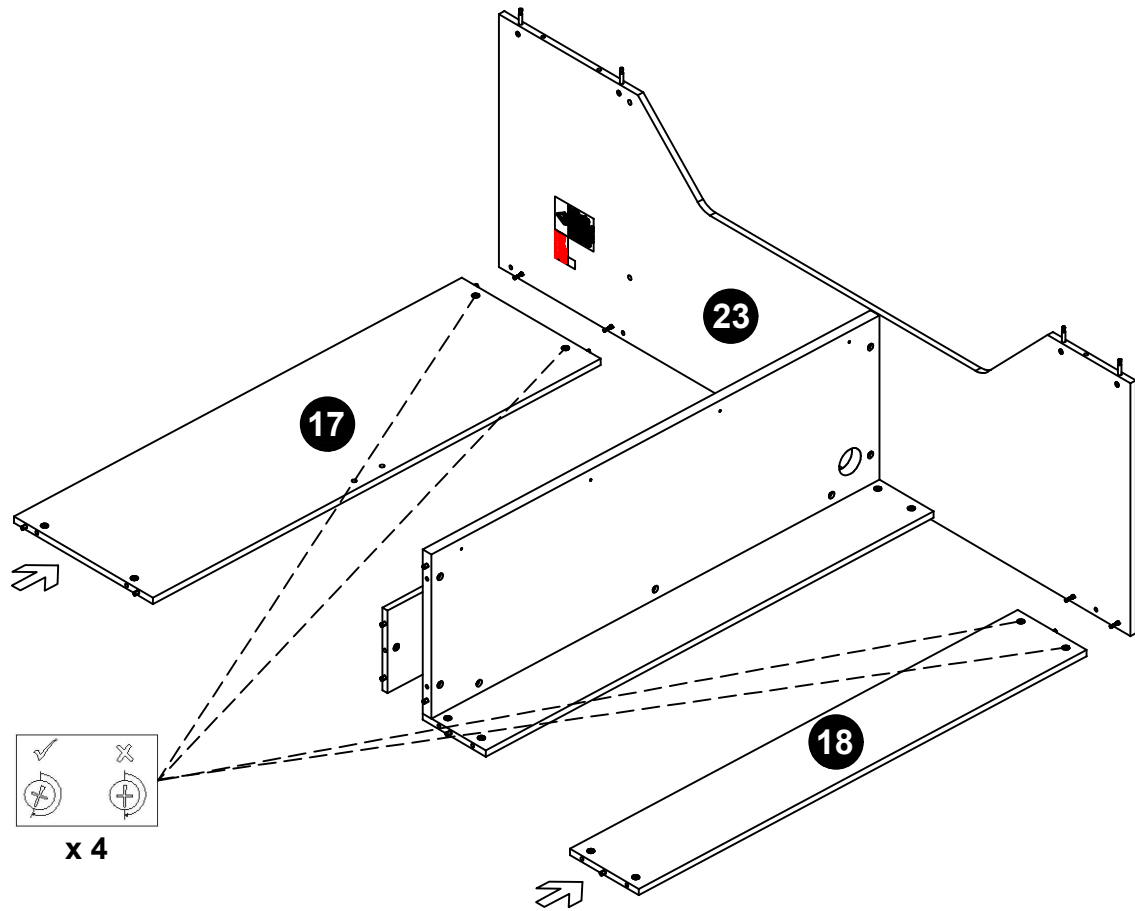
20



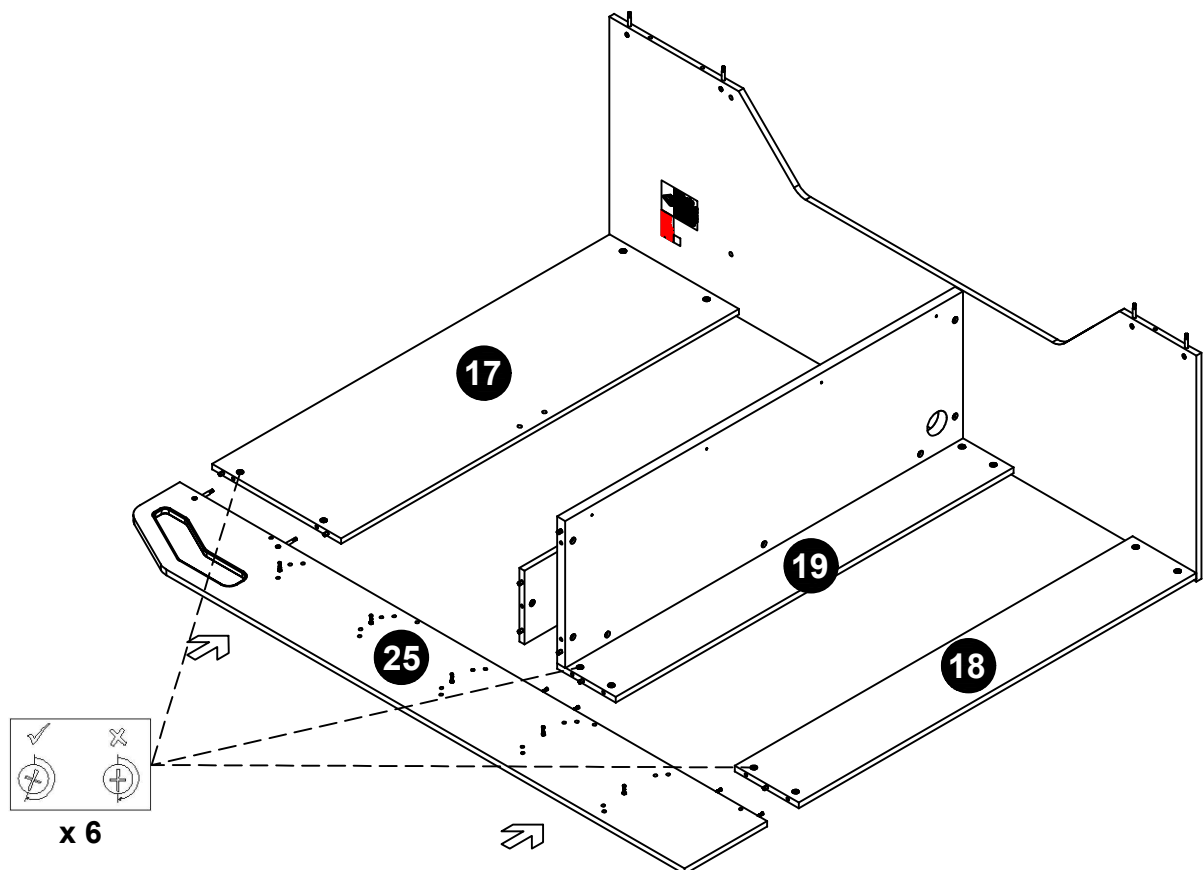
Guide To Assembly

Model : BOSS POD GAMING HIGH SLEEPER

21



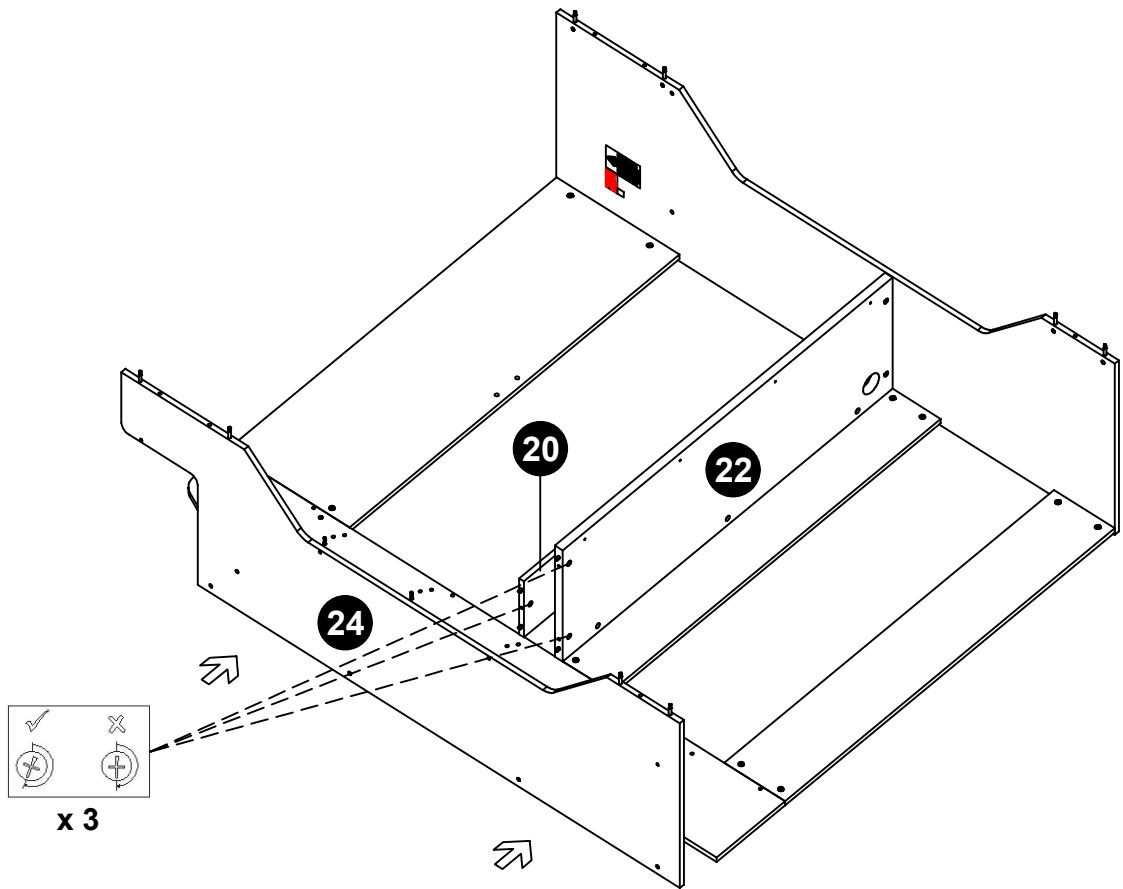
22



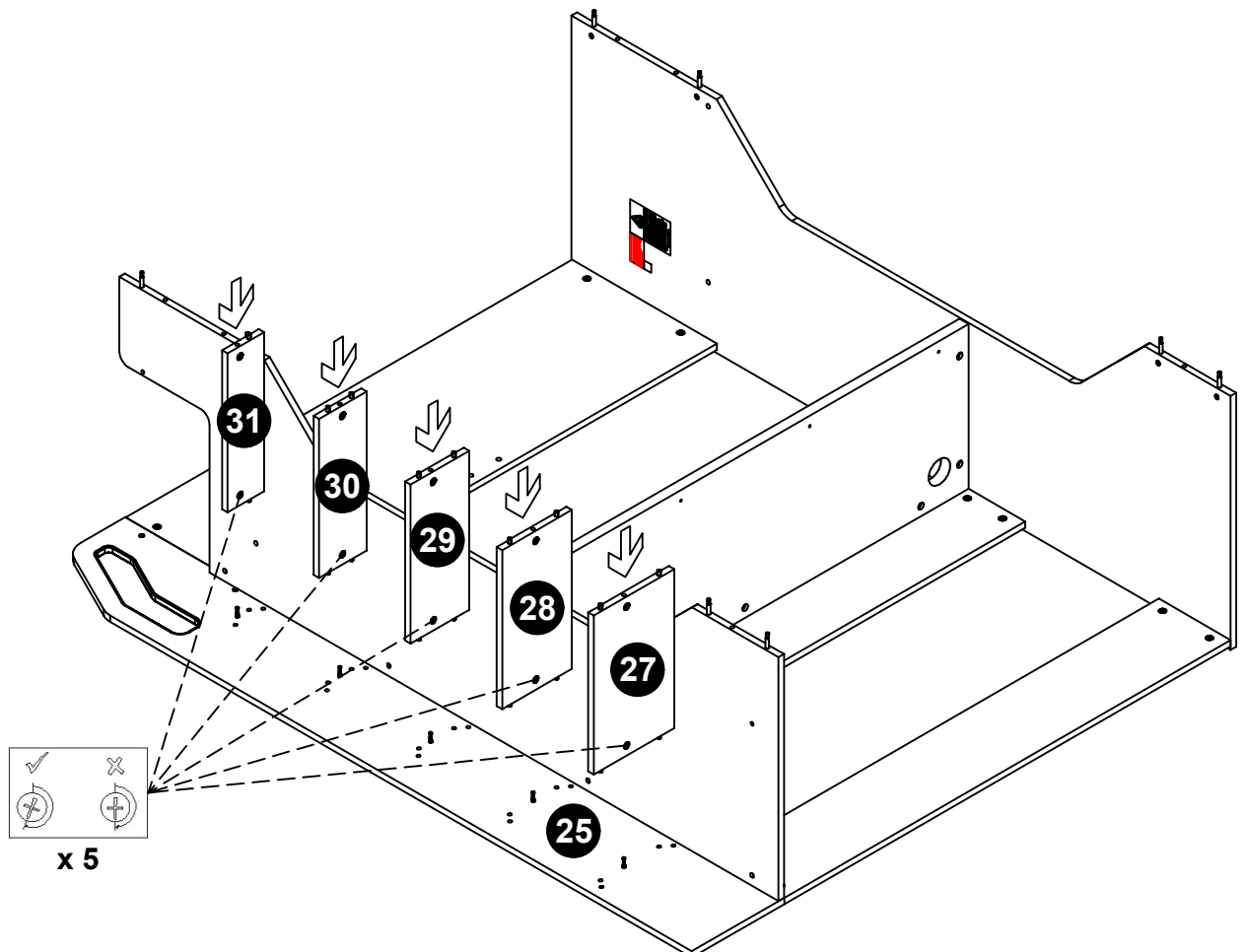
Guide To Assembly

Model : BOSS POD GAMING HIGH SLEEPER

23



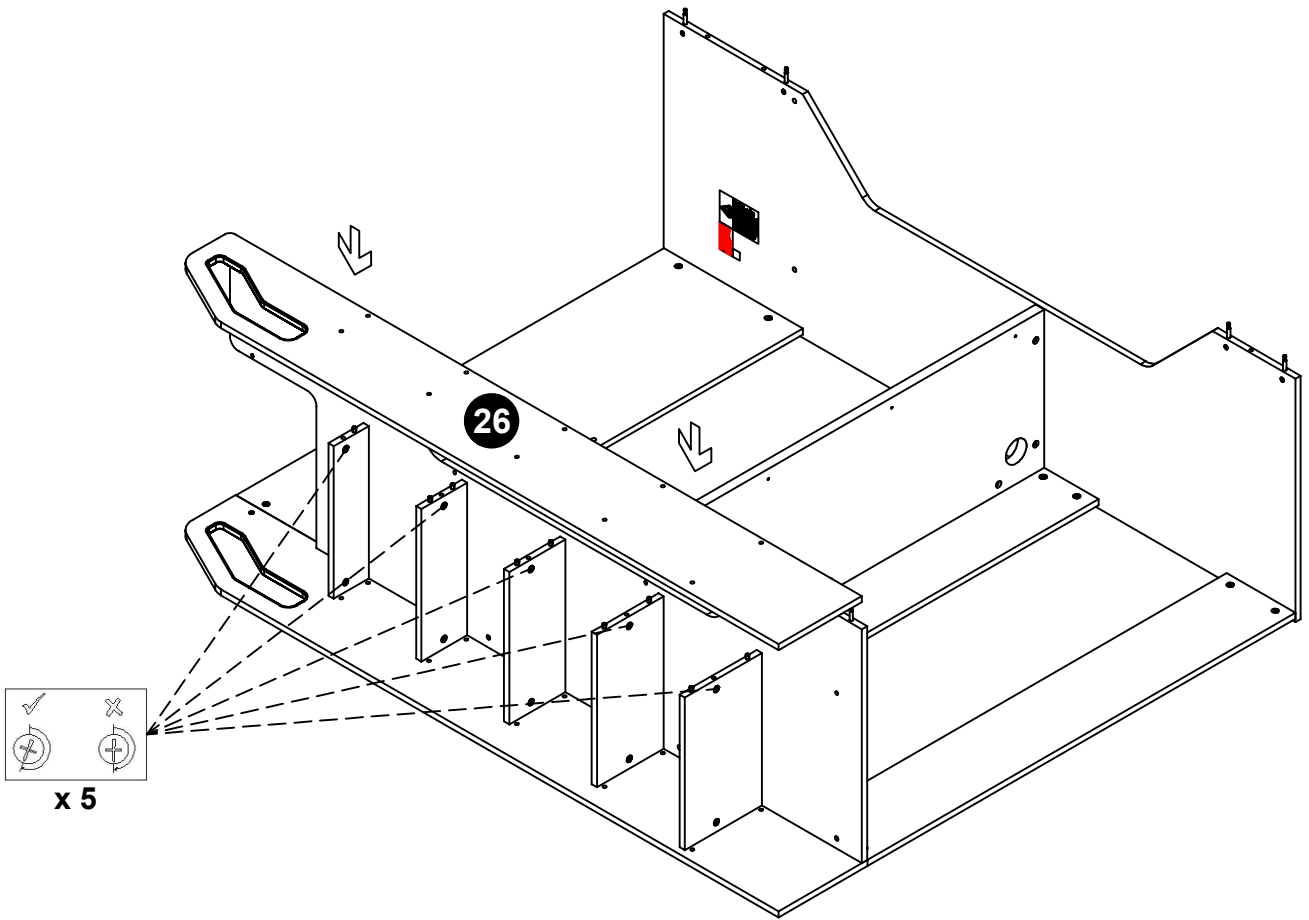
24



Guide To Assembly

Model : BOSS POD GAMING HIGH SLEEPER

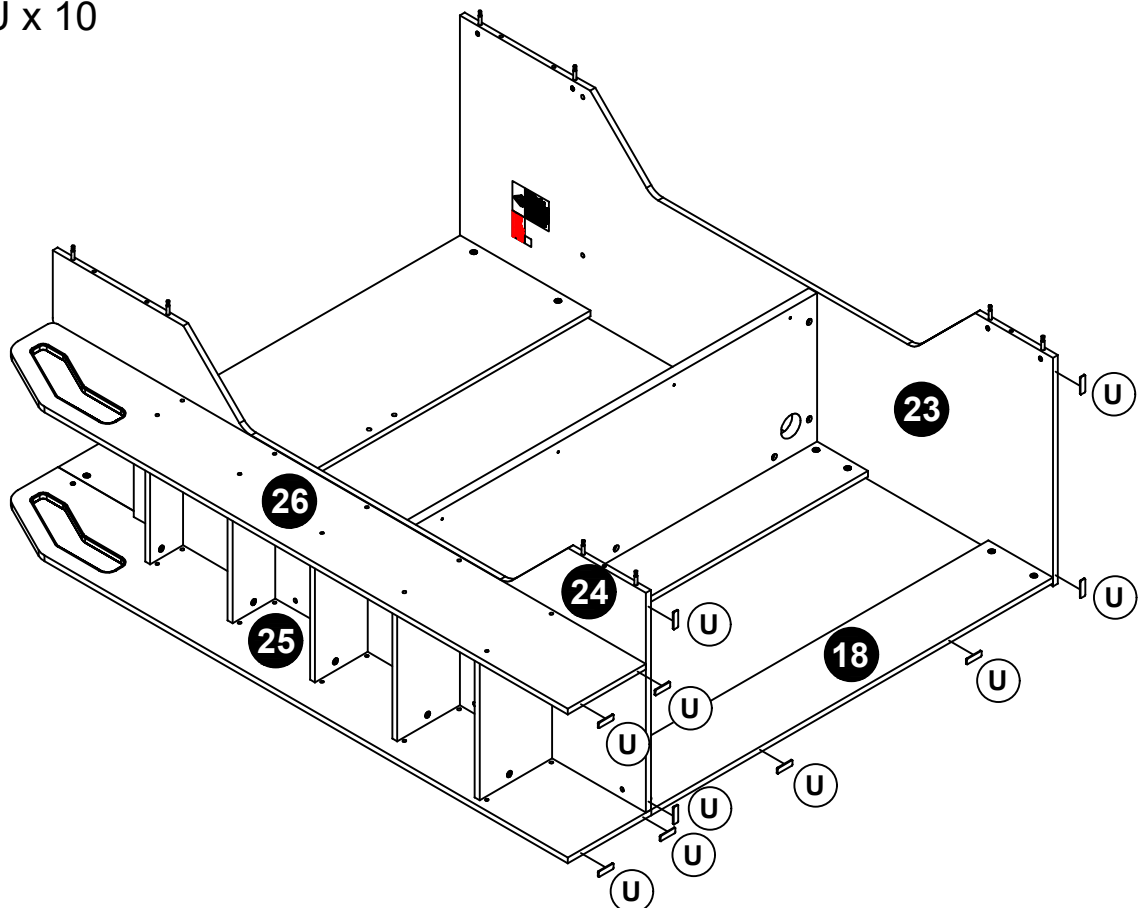
25



26

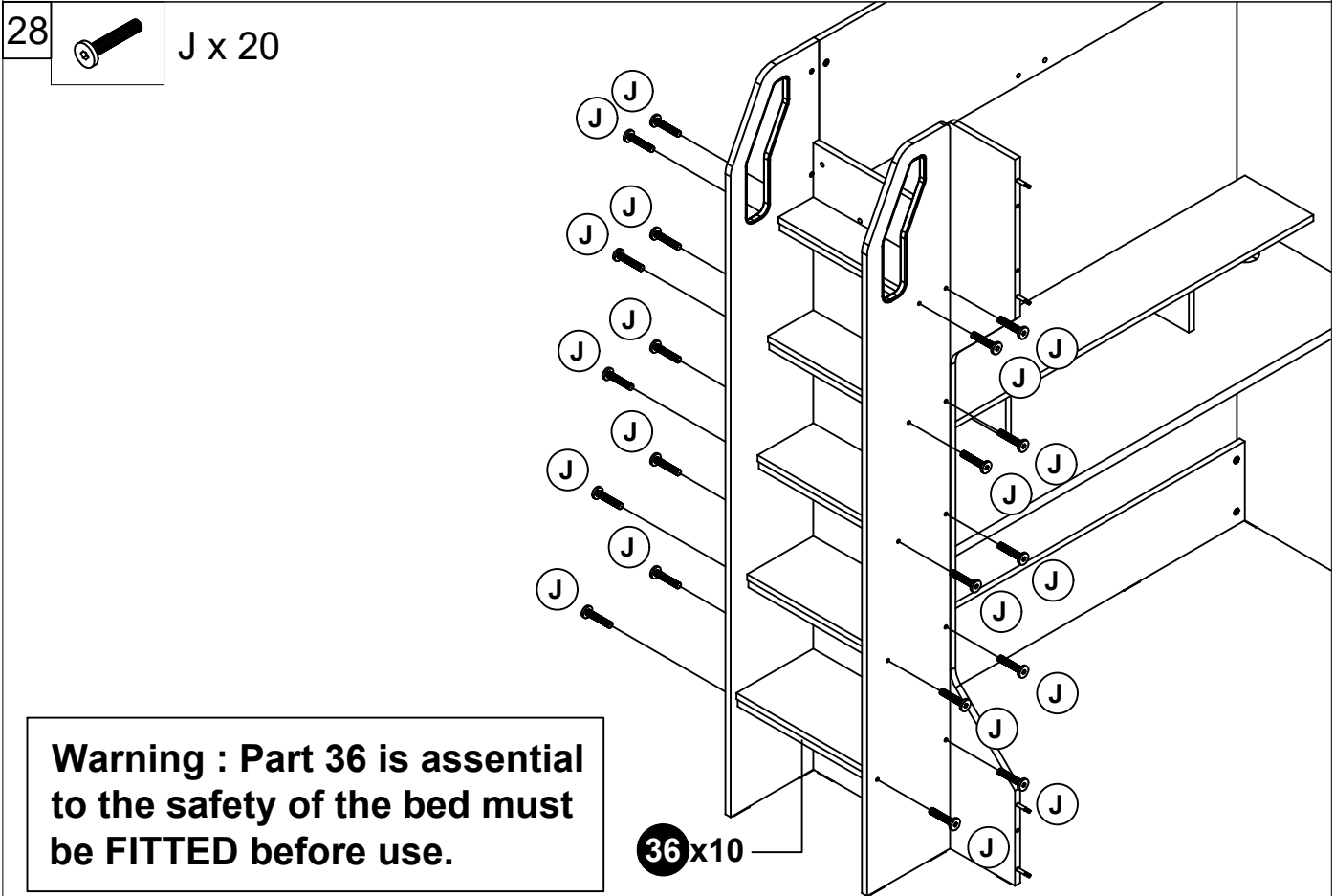
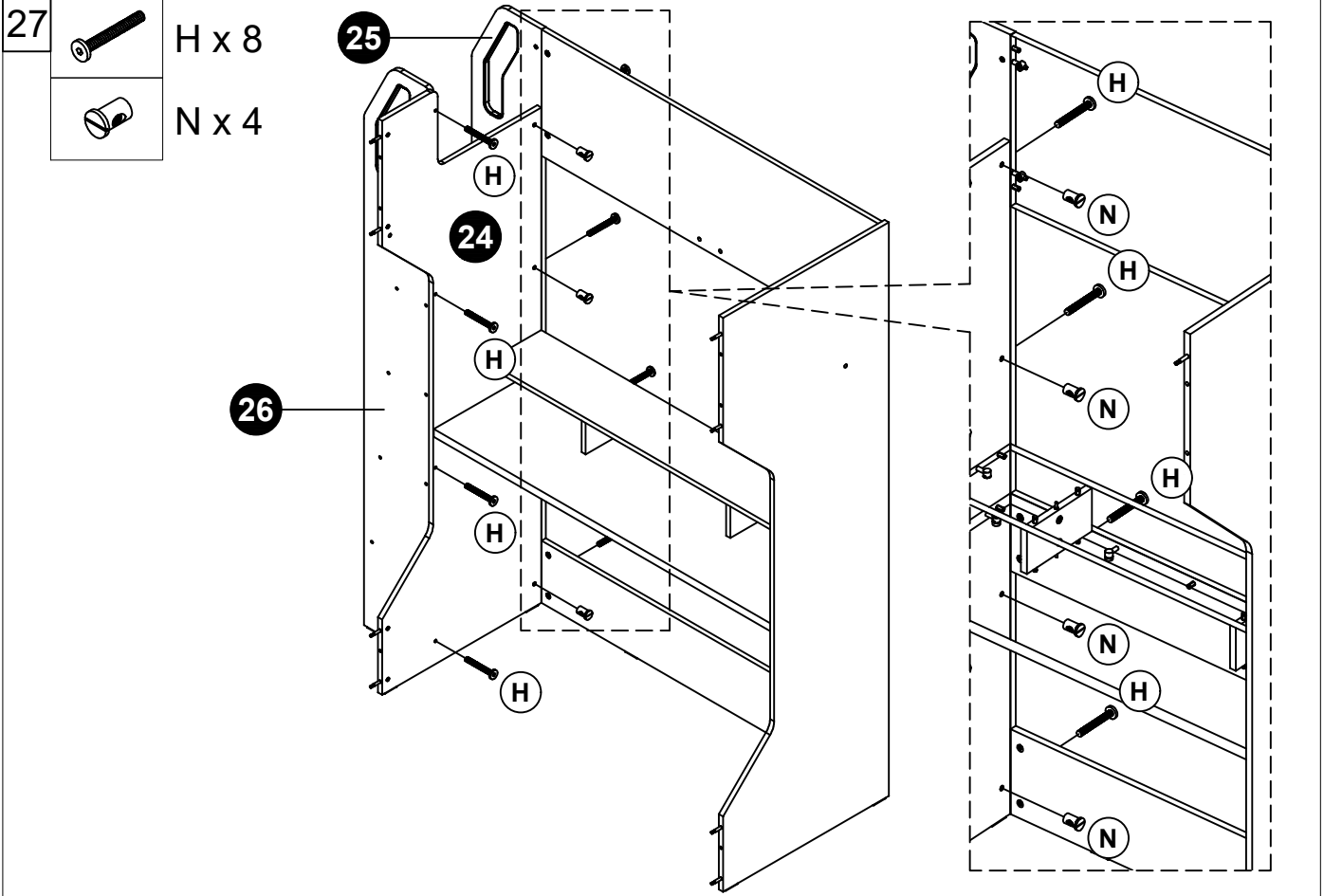


U x 10



Guide To Assembly

Model : BOSS POD GAMING HIGH SLEEPER

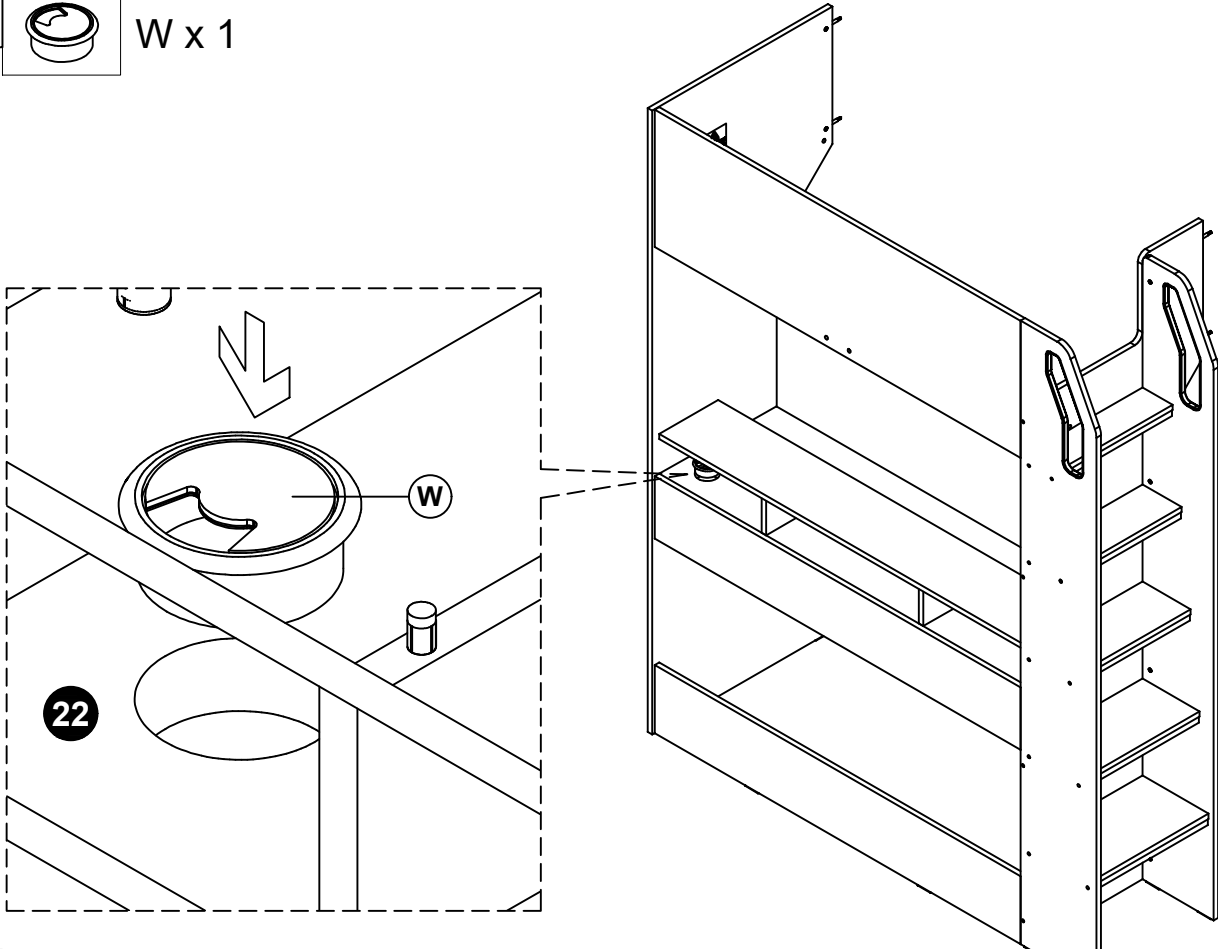



Warning : Part 36 is assential to the safety of the bed must be FITTED before use.

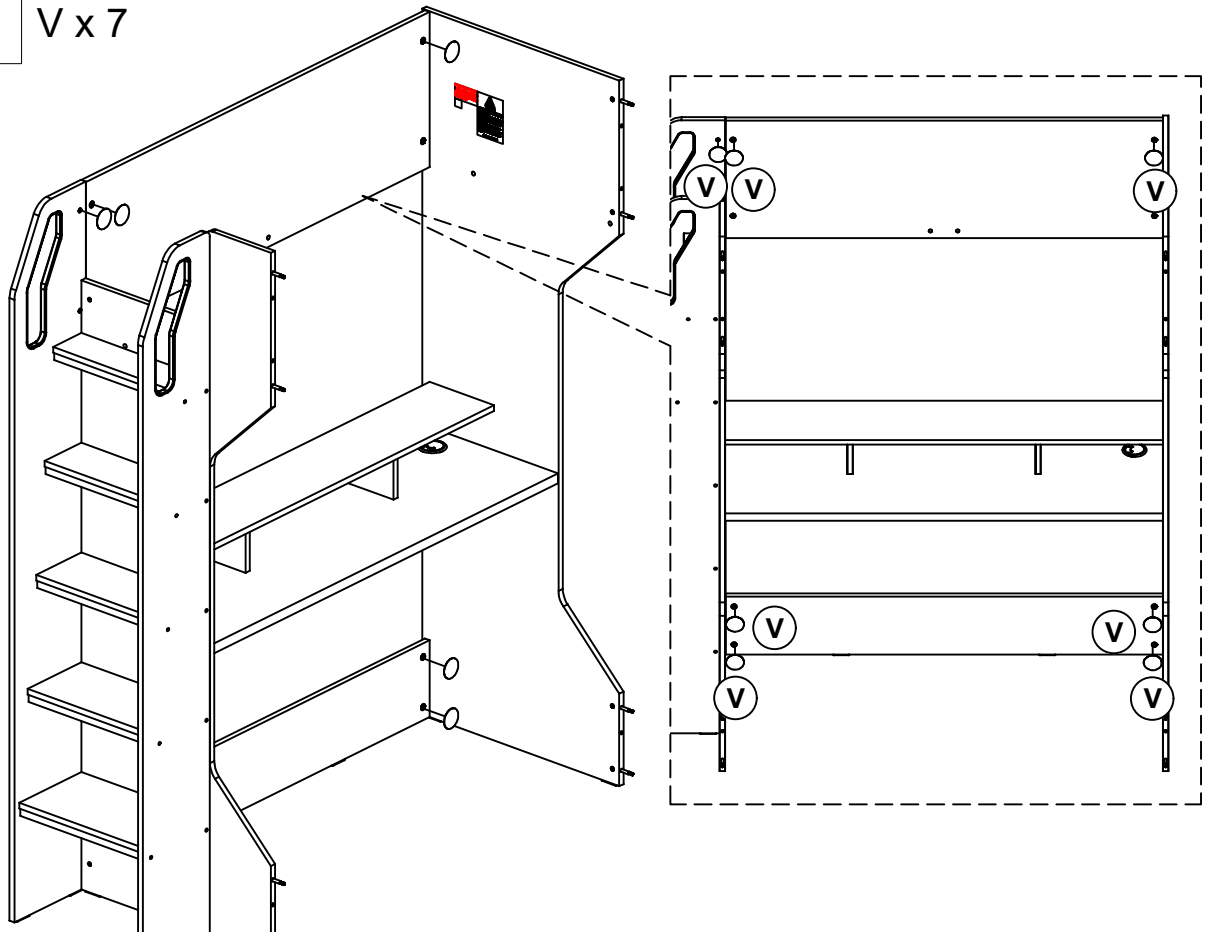
Guide To Assembly

Model : BOSS POD GAMING HIGH SLEEPER

29  W x 1



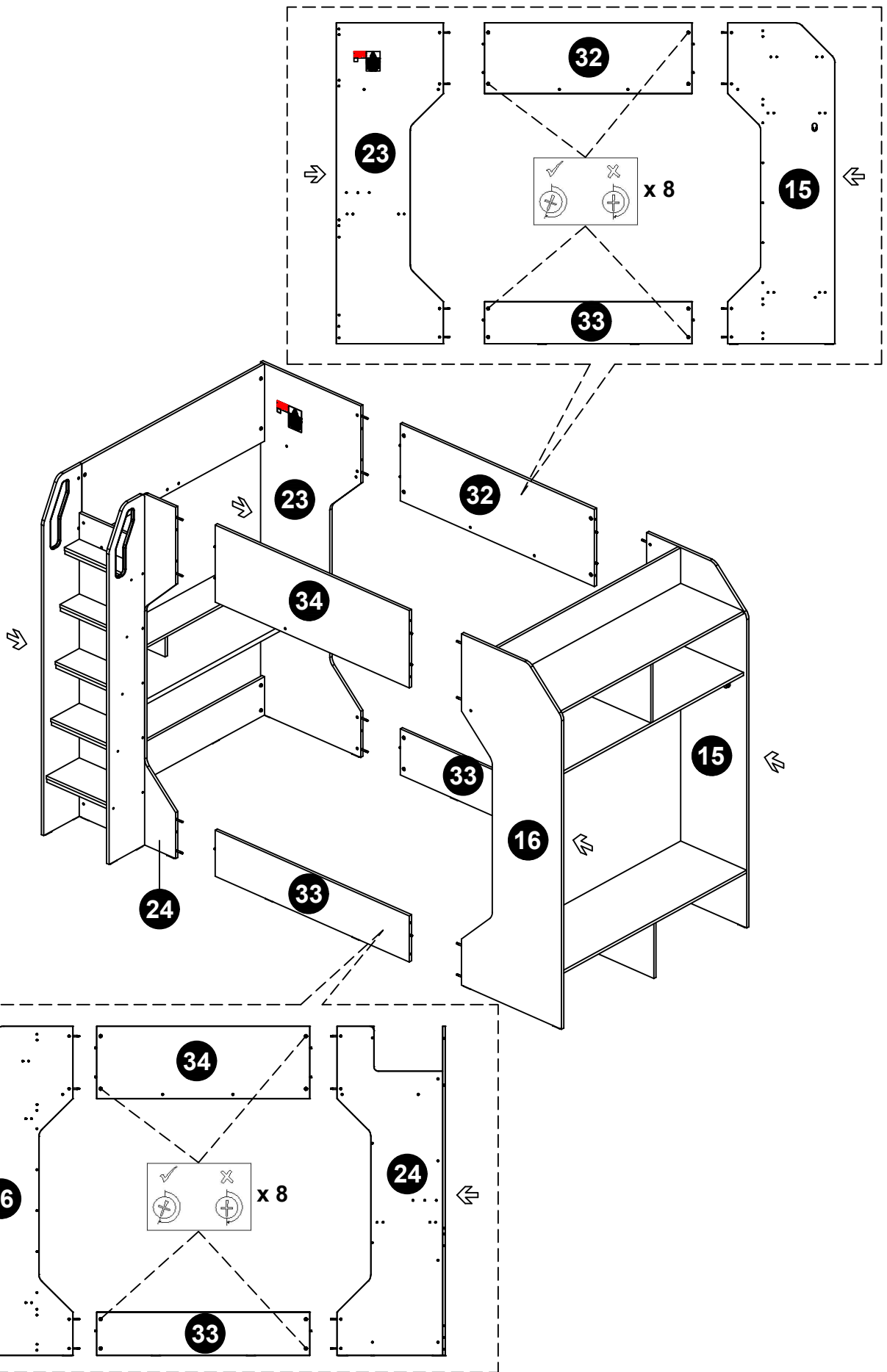
30  V x 7



Guide To Assembly

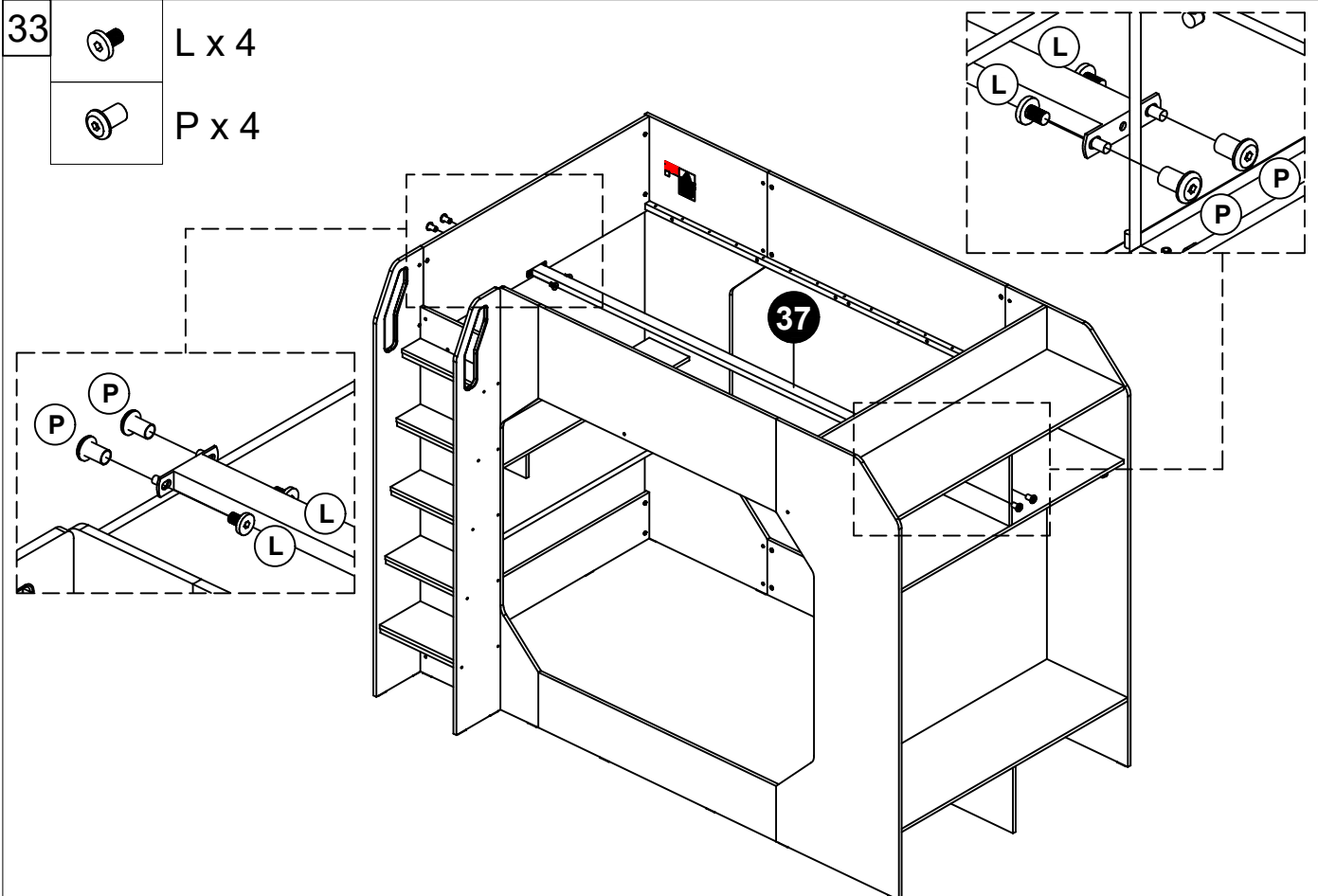
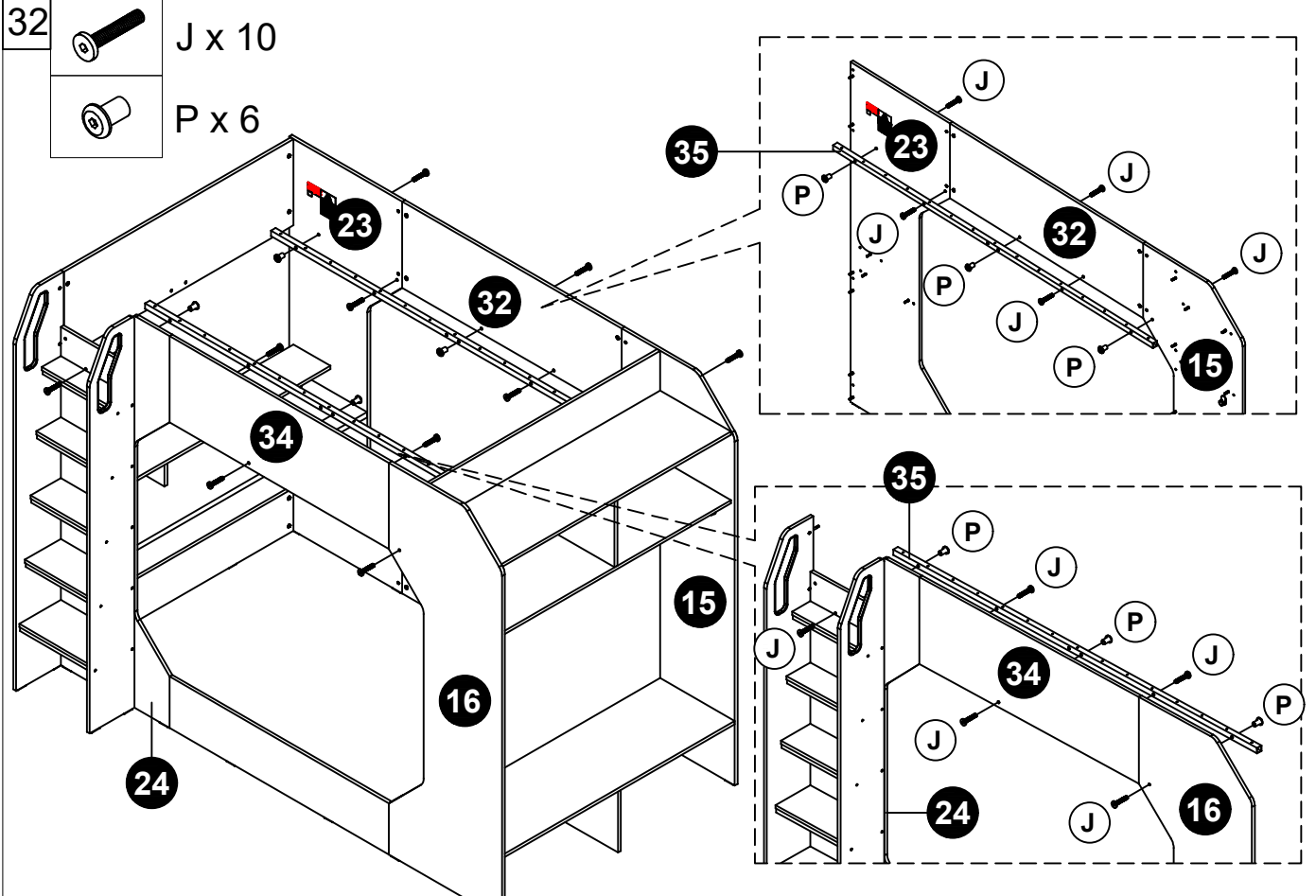
Model : BOSS POD GAMING HIGH SLEEPER

31




Guide To Assembly

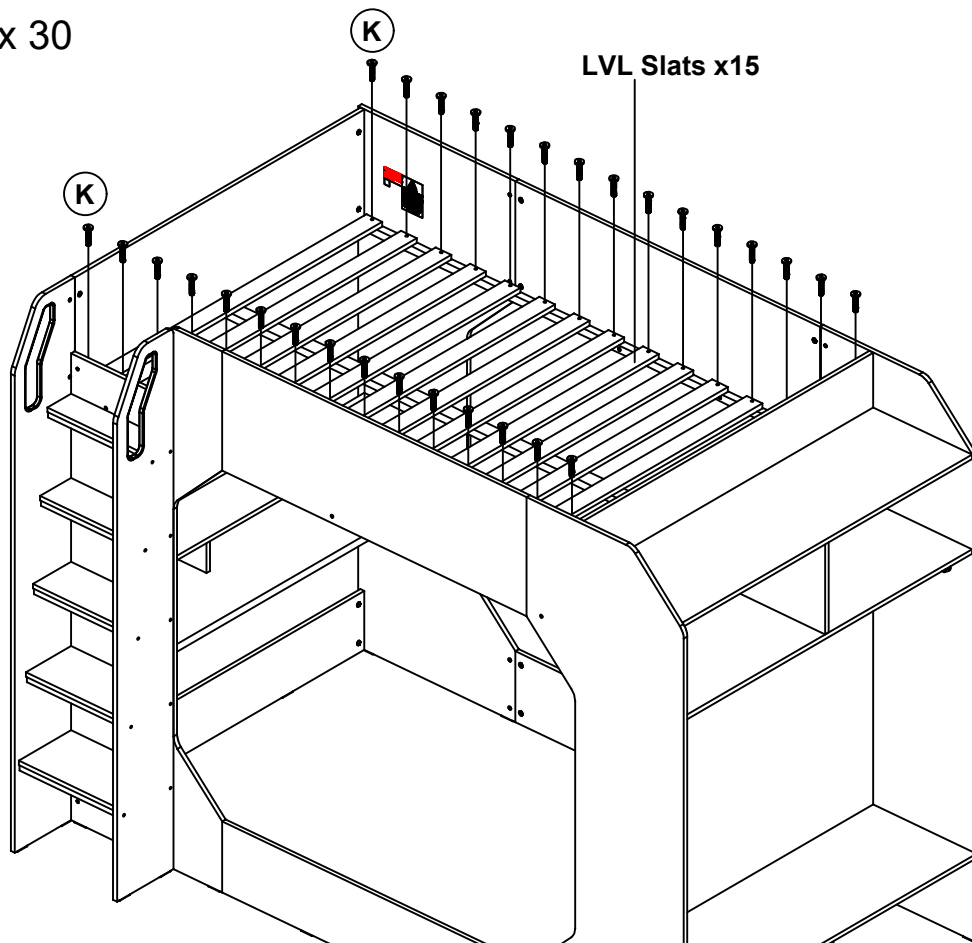
Model : BOSS POD GAMING HIGH SLEEPER



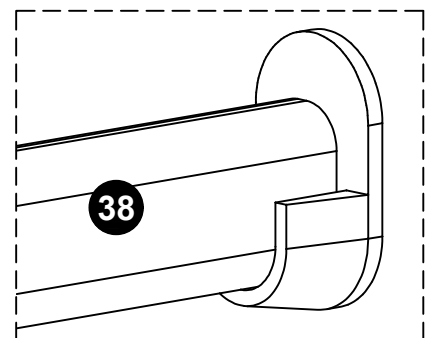
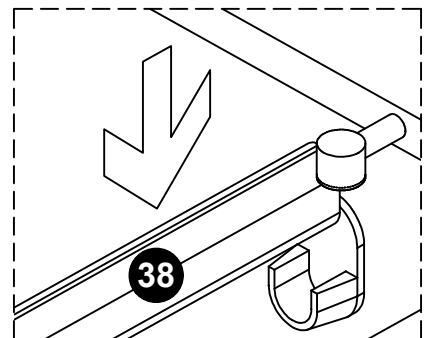
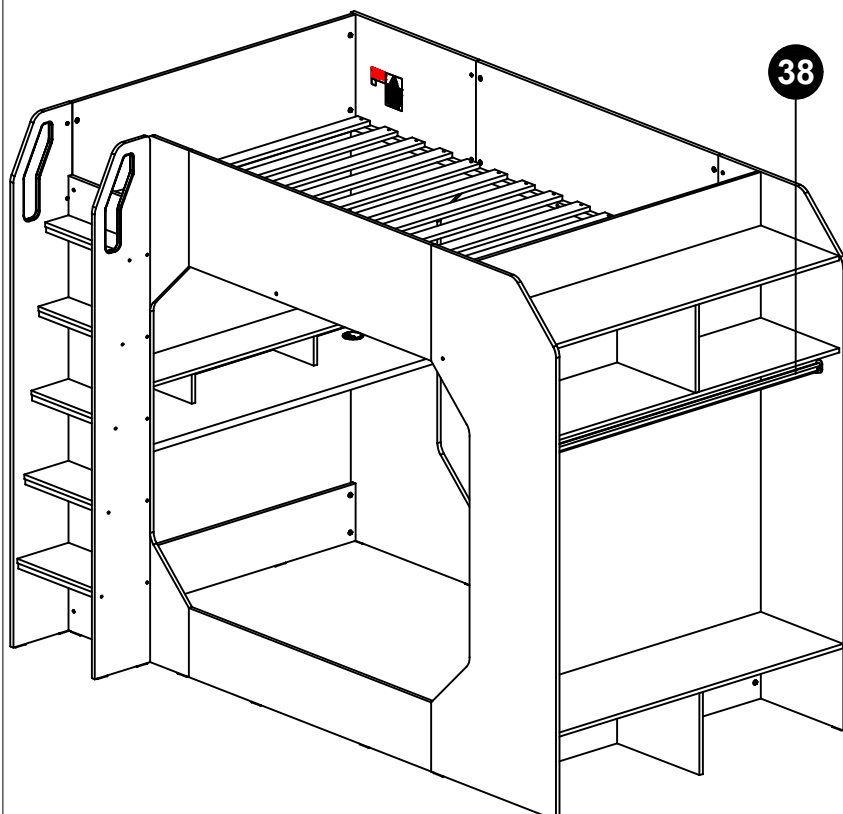
Guide To Assembly

Model : BOSS POD GAMING HIGH SLEEPER

34  K x 30



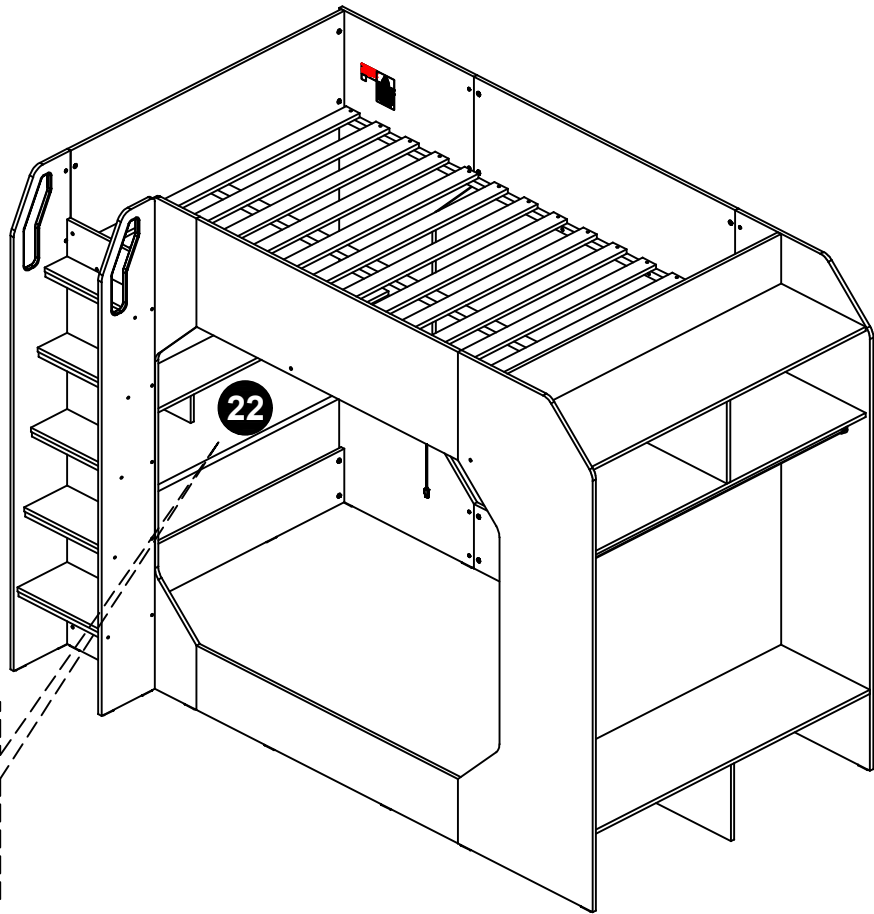
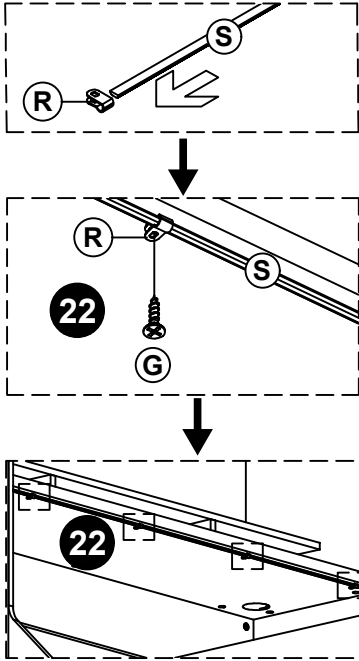
35



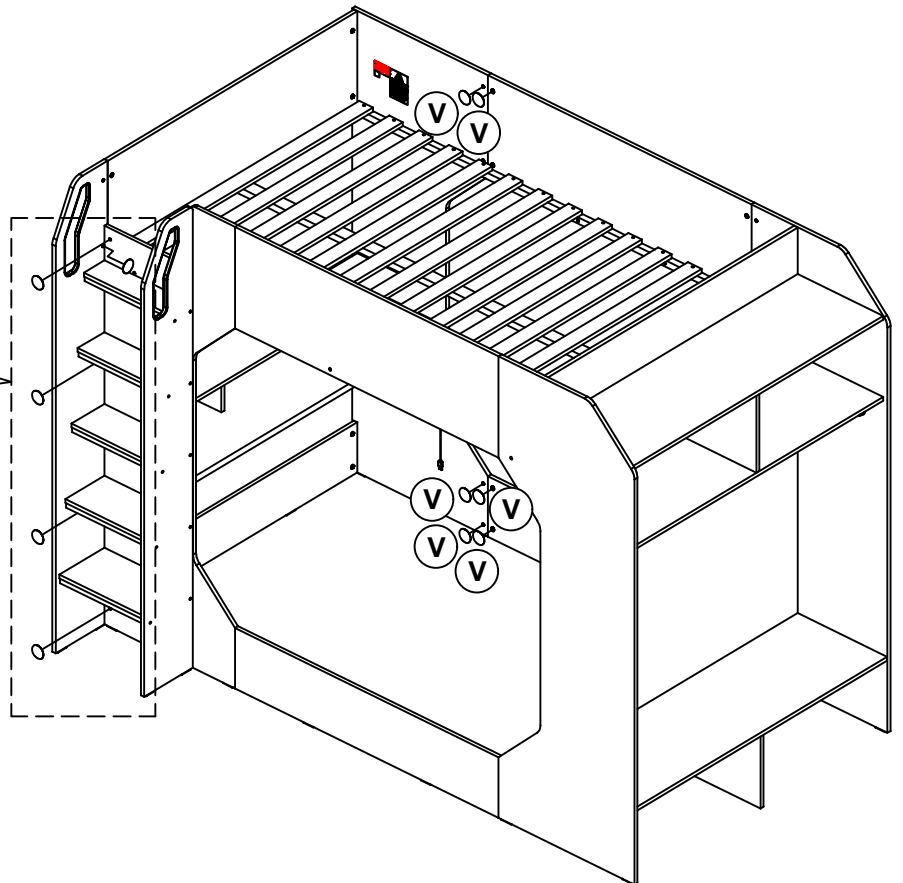
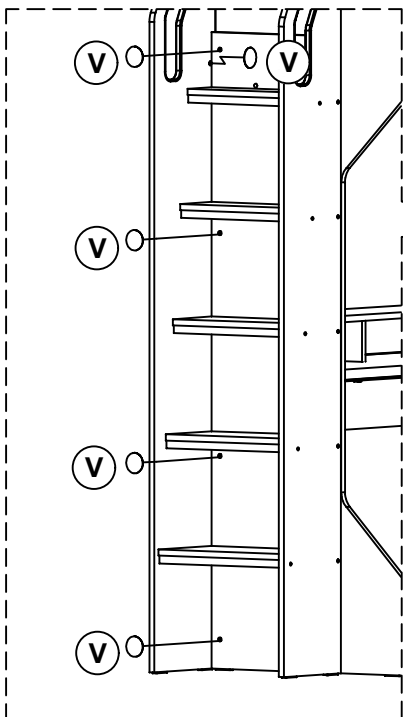
Guide To Assembly

Model : BOSS POD GAMING HIGH SLEEPER

- 36
- G x 4
 - R x 4
 - S x 1set



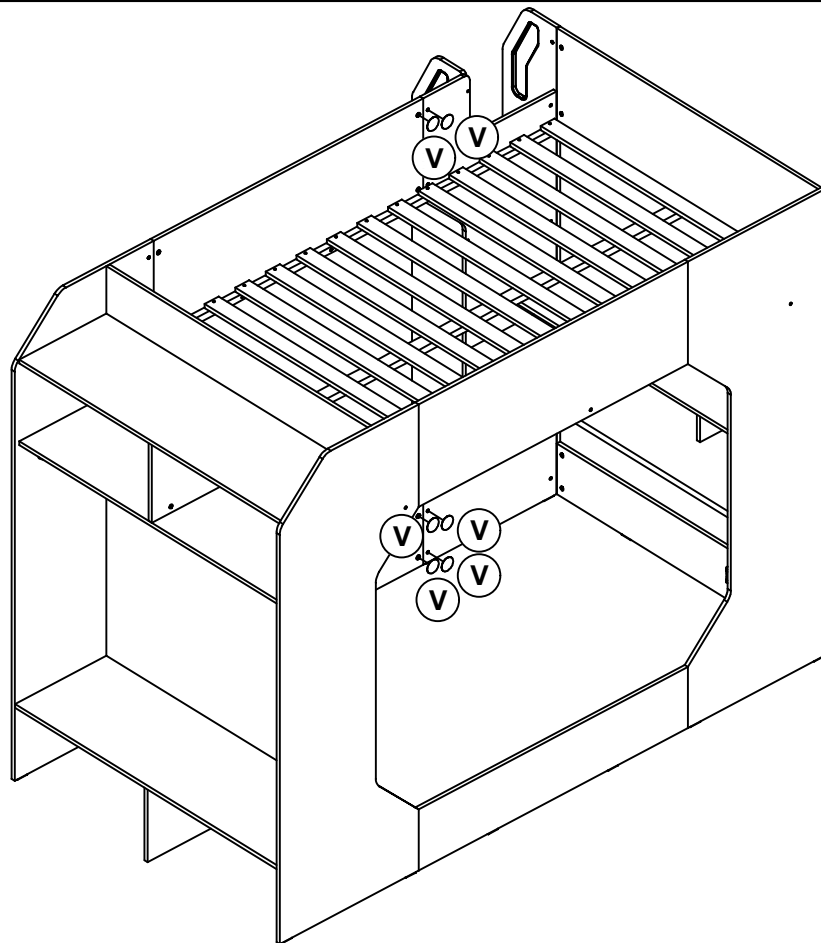
- 37
- V x 11



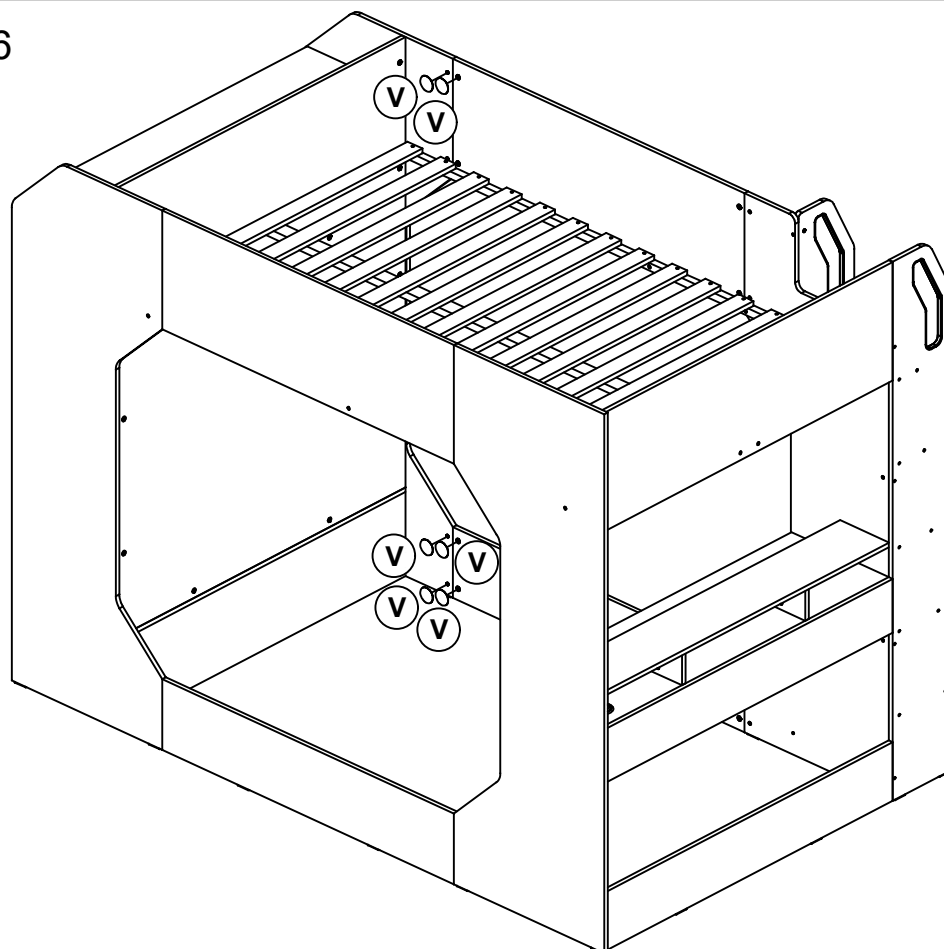
Guide To Assembly

Model : BOSS POD GAMING HIGH SLEEPER

38 ○ V x 6



39 ○ V x 6



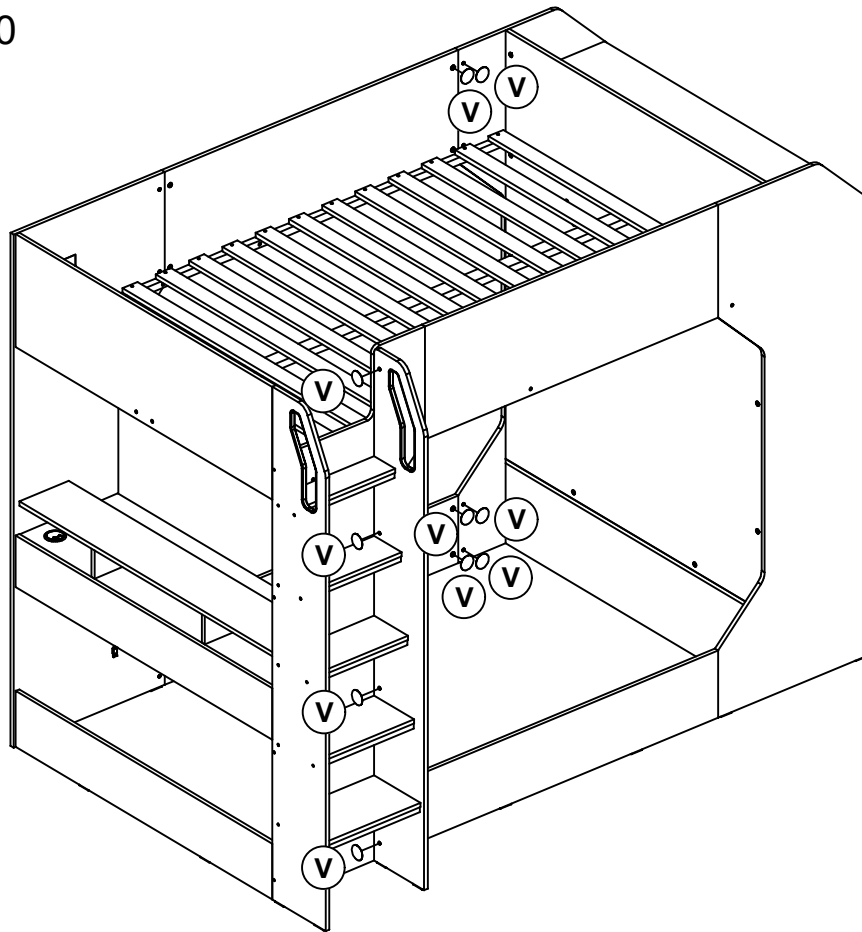
Guide To Assembly

Model : BOSS POD GAMING HIGH SLEEPER

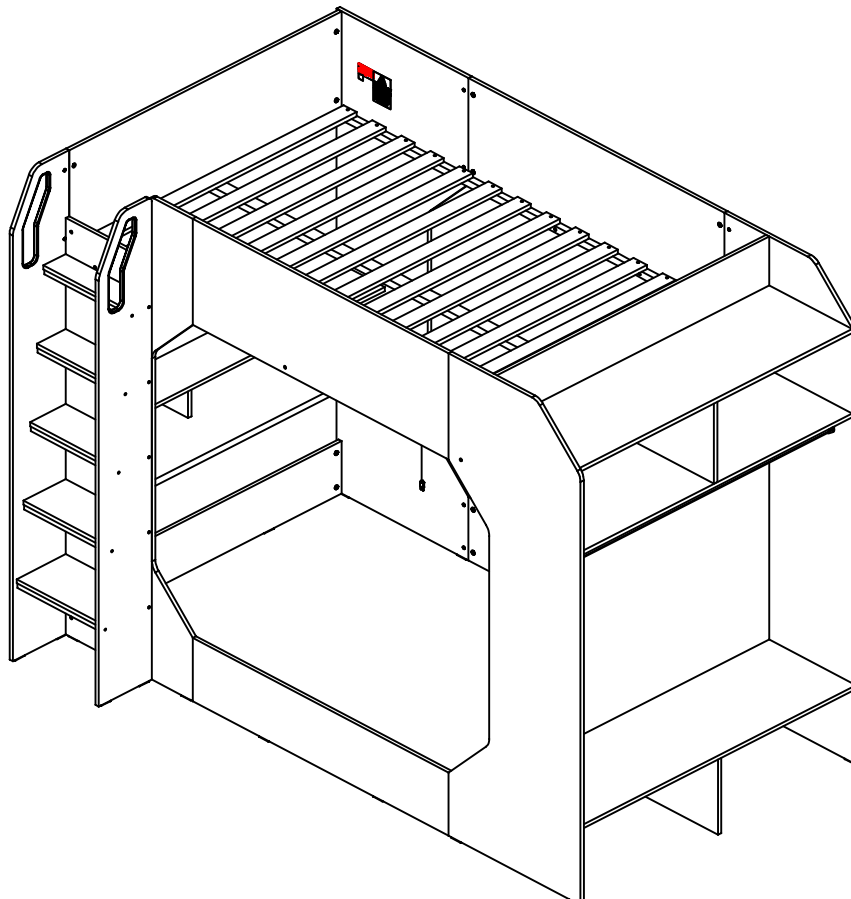
40



V x 10



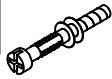



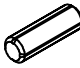
41



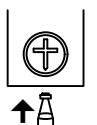
Guide To Assembly

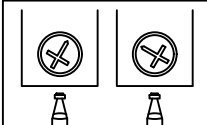
Model : BOSS POD GAMING HIGH SLEEPER

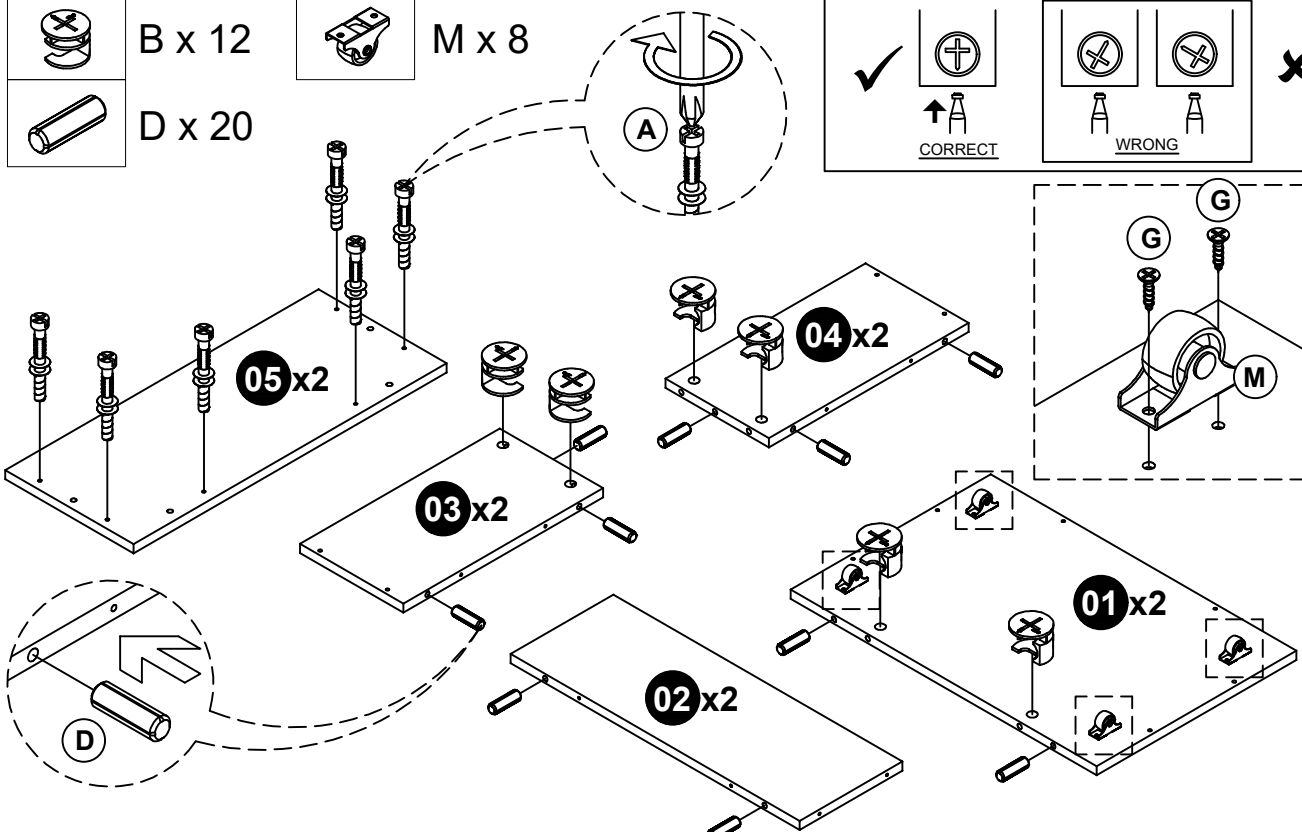
42

	A x 12		G x 16
	B x 12		M x 8
	D x 20		


WHEN FITTING CAMS
ENSURE STARTING POSITION IS CORRECT
BEFORE YOU INSERT CONNECTING BOLT
TURN CLOCKWISE UNTIL SECURE

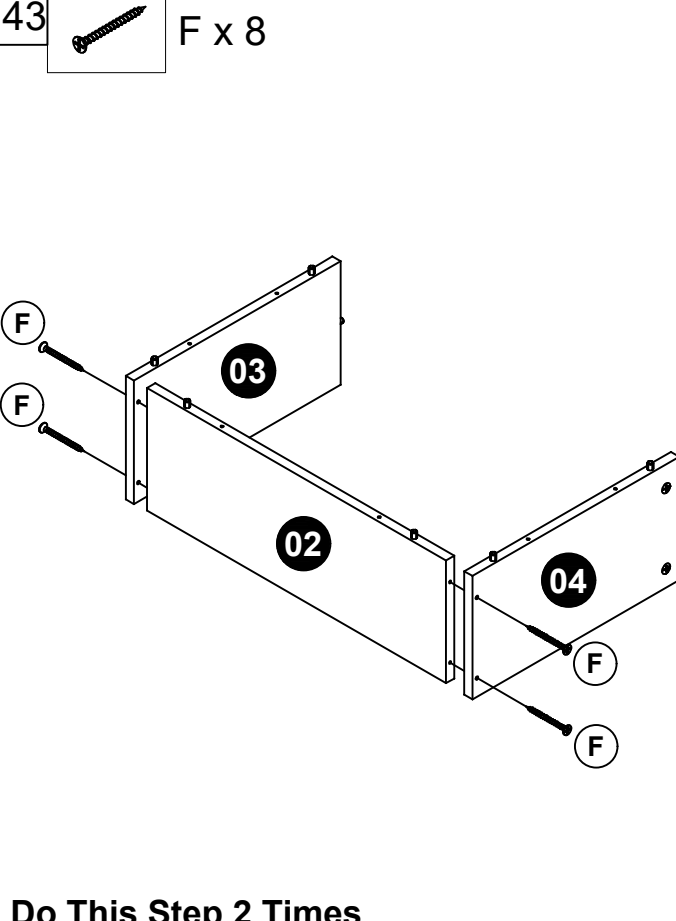
 **✓** **CORRECT**

 **✗** **WRONG**




43

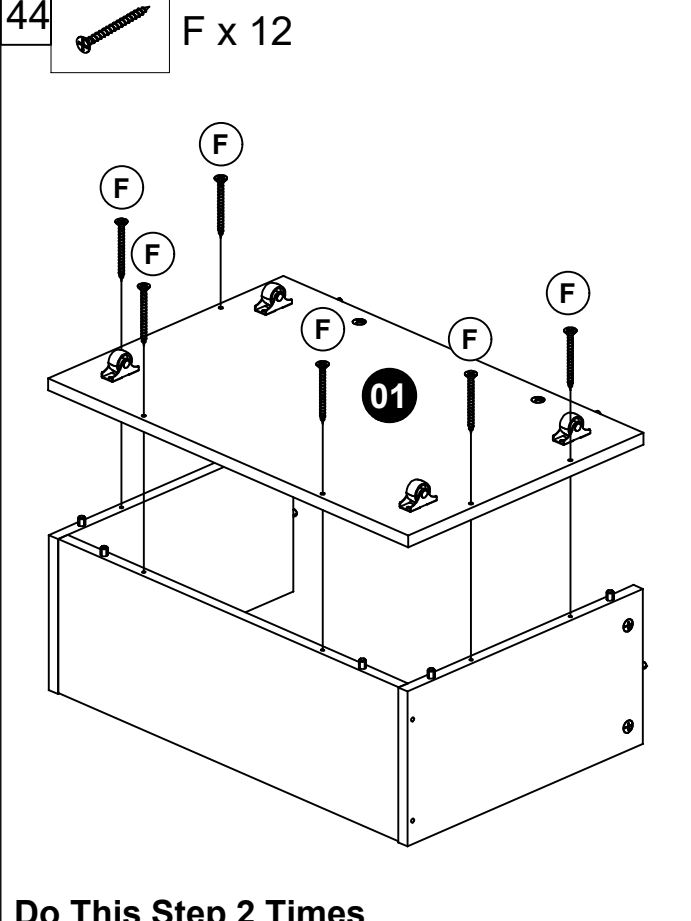
	F x 8
---	-------



Do This Step 2 Times

44

	F x 12
---	--------

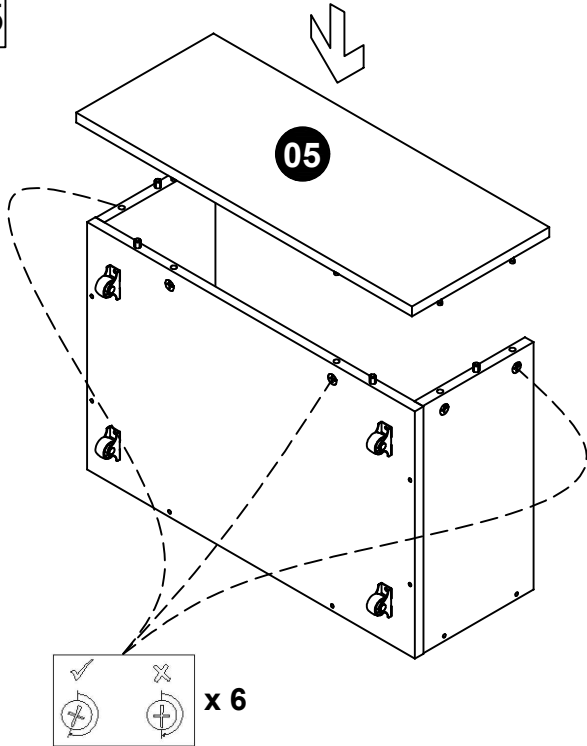


Do This Step 2 Times

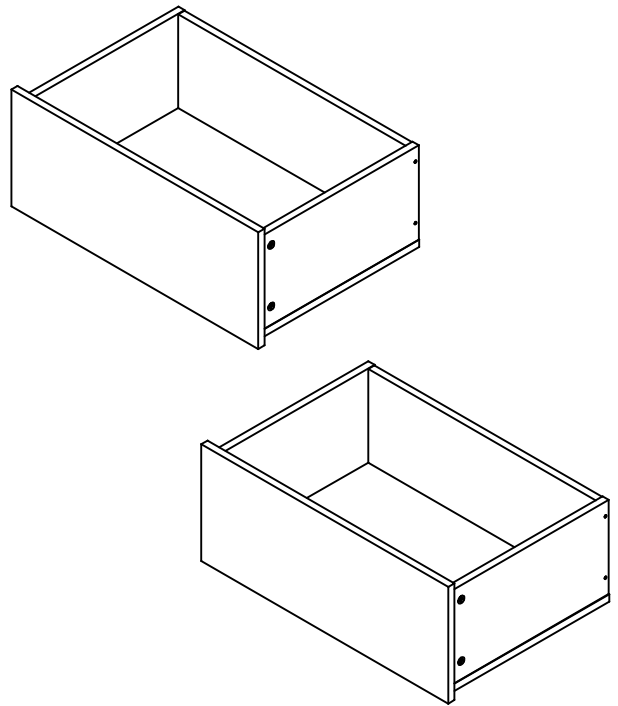
Guide To Assembly

Model : BOSS POD GAMING HIGH SLEEPER

45



46



Do This Step 2 Times

47

