

cuckoolandTM.com

LIVE IN THE WOW

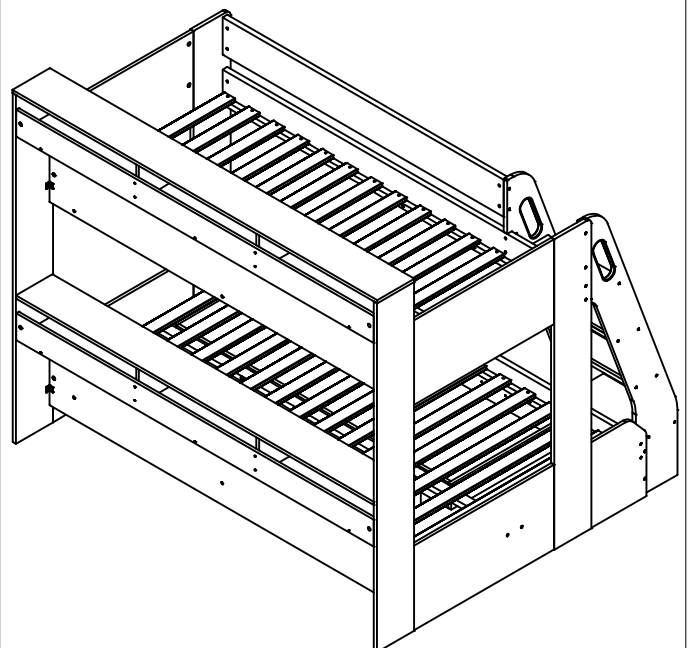
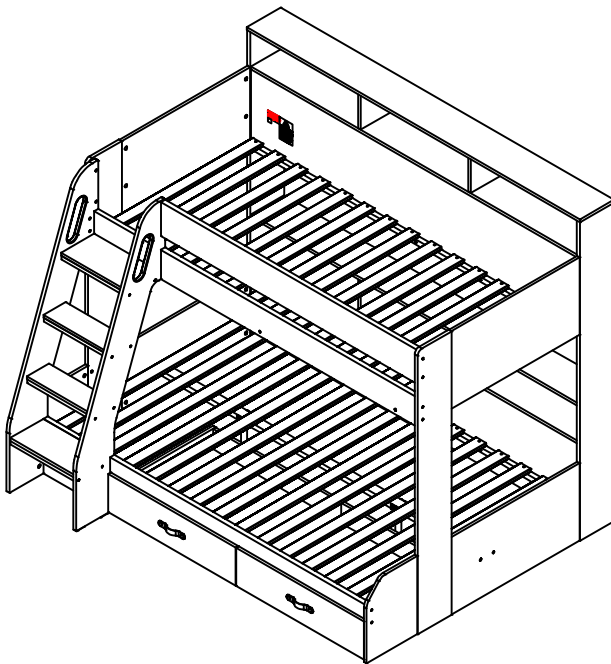
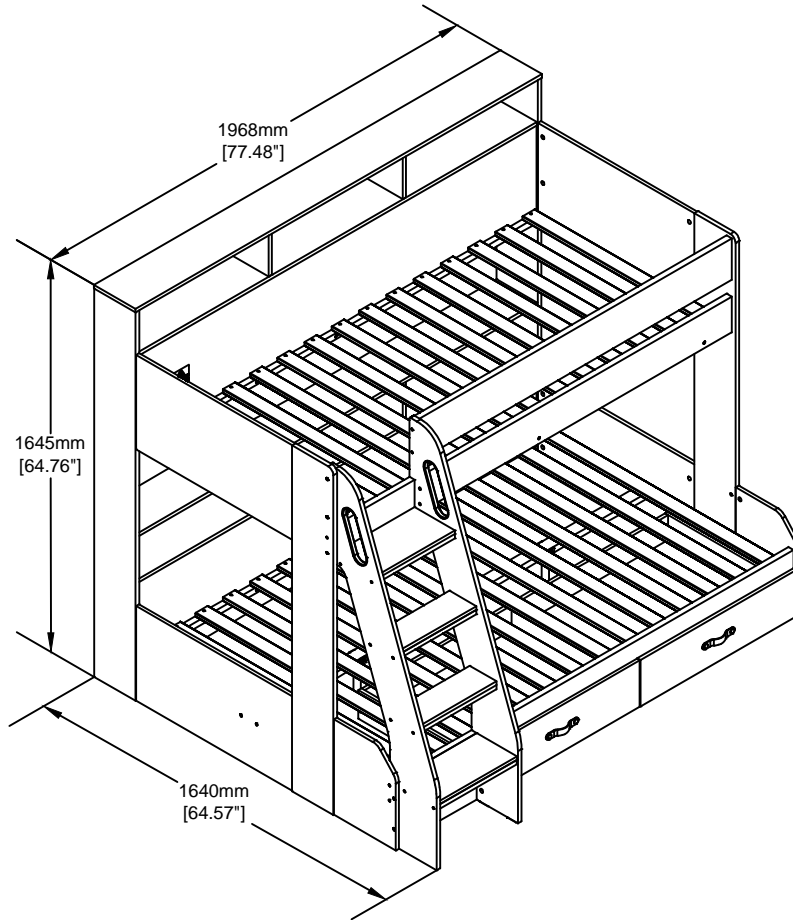
Aviary Triple Sleeper

Assembly Instructions

Model : MG 7775

Product Size : 920mm x 1930mm (Base Int Size)

Thank you for purchasing this product. Before starting assembly we suggest you spend a short time reading through this leaflet, then follow the simple step by step guide. Two people are needed to assemble this product.



Model : MG 7775

Product Size : 920mm x 1930mm (Base Int Size)

TOP TIPS BEFORE YOU START !

IMPORTANT - READ CAREFULLY - RETAIN FOR FUTURE REFERENCE

1. Please check that all parts & hardware are present before you start the assembly of your furniture.
2. For ease and speed of assembly, we recommend that before you commence each step of the assembly, Please identify all the parts required for that step.
3. We recommend that where possible, all items are assembled near to the area in which they will be placed in use, to avoid moving the product unnecessarily once assembled.
4. For the protection of your furniture, particularly items of high gloss finish, we recommend that the product is placed on a Protected surface during assembly to prevent any damage.
5. During assembly please take care not to over-tighten any fittings, as this may damage the product.

CARE AND MAINTENANCE OF YOUR FURNITURE

- Please periodically check all fittings and re-tighten as necessary.
- To clean your item, please use a damp cloth and wipe clean.
- Never allow any kind of liquid to remain on your furniture. Absorption can cause wood to warp or finishes to de-laminate.
- Please do not place hot items (e.g hot drinks) directly on the wood surface.
- Please do not drag or pull your furniture.

IMPORTANT INFORMATION

1. Thickness of mattress should not exceed 184mm.
2. Children should be discouraged from playing on top of this bunk bed.
3. The bunk bed should be checked periodically by the owner to ensure that the guardrail, ladder, and other components are maintained in the correct position and state of repair and that all connectors are tight.
4. A bunk bed is not to be placed near a ceiling fan unless the distance between the closest points on the ceiling fan bunk Bed is at least 2 metres.
5. Use guardrails on both sides of upper bunk.
6. Prohibit horseplay on or under bed(s).
7. Prohibit more than one person on upper bunk.
8. Use Ladder for entering and leaving upper bunk.
9. If the bunk bed will be placed next to the wall, the guardrail that runs the full length of the bed should be placed against The wall to prevent entrapment between the bed and the wall.
10. **WARNING** Do not use the bunk bed/high bed if any structural part is broken or missing.
11. Ventilation of the room is necessary in order to keep the humidity low and to prevent mould in and around the bed.
12. **WARNING** "high beds & the upper bed of bunk beds are not suitable for children under six years due to risk of injury from falls";
13. **WARNING** "children can become trapped between the bed & the wall, a roof pitch, the ceiling, adjoining pieces of furniture (e.g.cupboard) and the like. To avoid risk of serious injury the distance between the top safety barrier and the adjoining structure shall not exceed 75mm nor shall be more than 230mm"
14. always follow the manufacturer's instruction;
15. Recommended Mattress Size : 90cm x 190cm (UK Single) with Maximum Depth of 18.4cm
16. This item conforms to European Safety Standards - BS EN 747-1 : 2012 + A1 : 2015 & BS EN 747-2 : 2012 + A1 : 2015
17. **WARNING** "Bunk beds and high beds can present a serious risk of injury from strangulation if not used correctly. Never attach or hang items to any part of the bunk bed that are not designed to be used with the bed, for example, but not limited to ropes, strings, cords, hooks, belts and bags"
18. High beds and the upper bed of bunk beds is suitable for a maximum mattress thickness of 184mm. The top of mattress must not come above the line marked on the bed.

STRANGULATION HAZARD:

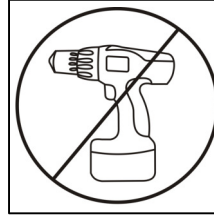
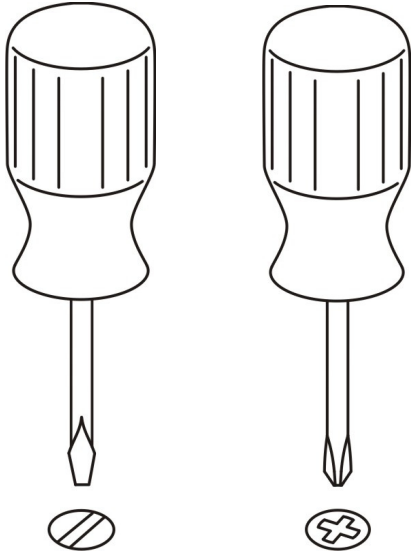
19. Never attach or hang items to any part of the bunk bed that are not designed for use with the bed for example, but not limited to hook, belt and jump ropes.

Guide To Assembly

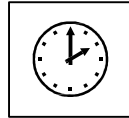
Model : MG 7775

Tools Required For Assembly

Phillips Screw Driver



DO NOT USE POWER TOOLS TO ASSEMBLE THIS PRODUCT. USE OF POWER TOOLS WILL INVALIDATE ANY CLAIM AND MAY DAMAGE THIS PRODUCT MAKING IT UNSAFE.

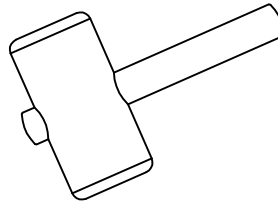


Approximately 3 hour

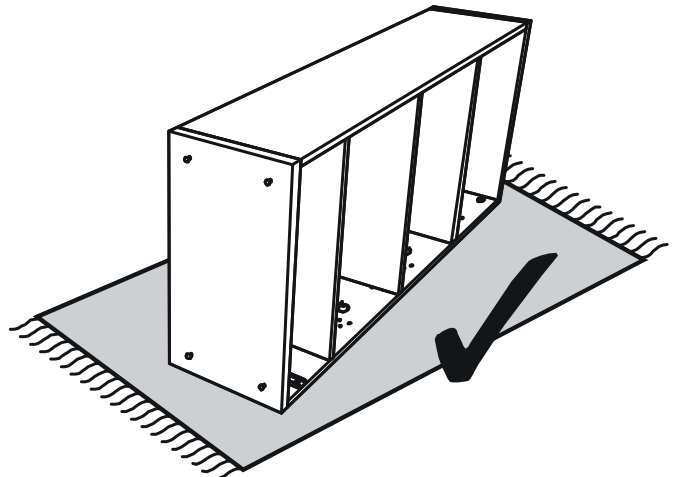
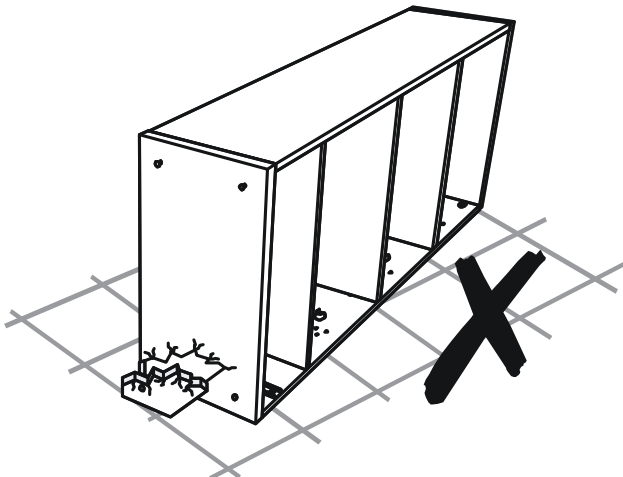
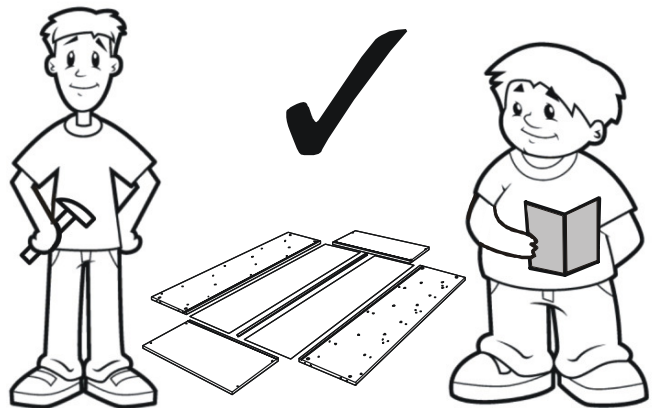
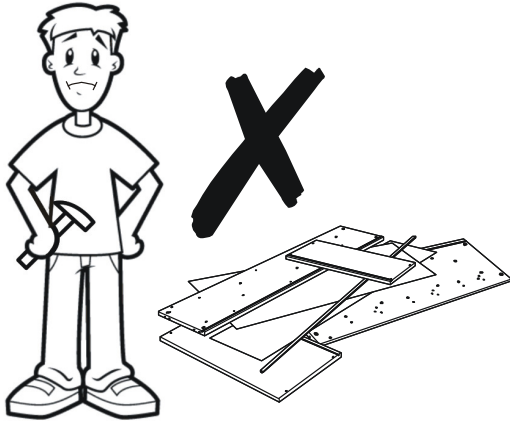
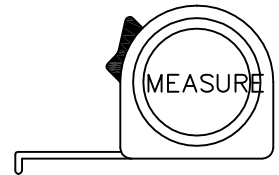


2 People Required

Rubber Hammer



Tape Measure



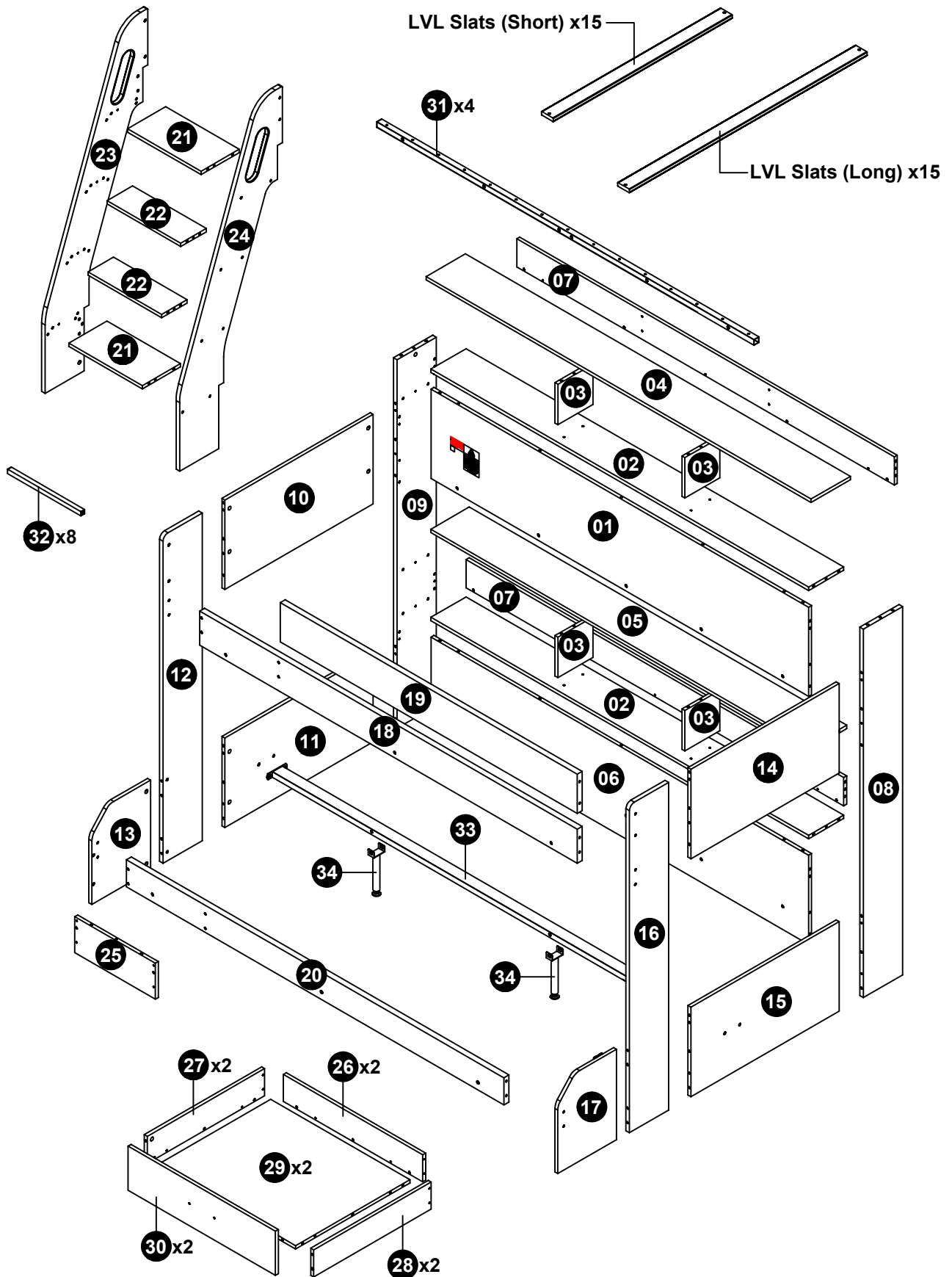
Part List

Model : MG 7775

Carton 1 of 4			Carton 4 of 4		
No.	Part Name	Pcs	No.	Part Name	Pcs
02	Bottom Panel (Shelf)	2	10	Left End Panel (Center)	1
04	Top Panel (Upper)	1	11	Left End Panel (Center)	1
05	Top Panel (Bottom)	1	13	Left Panel	1
07	Back Panel (Shelf)	2	14	Right End Panel (Center)	1
31	Metal Side Rail	4	15	Right End Panel (Center)	1
32	Ladder Support Rail	8	17	Right Panel	1
33	Bottom Support Rail	1	25	Support Panel	1
34	Support Rail	2	26	Back Panel (Drawer)	2
Assembly Instructions + Fitting List			27	Left Panel (Drawer)	2
			28	Right Panel (Drawer)	2
			29	Bottom Panel (Drawer)	2
Carton 2 of 4			30	Front Panel (Drawer)	2
01	Back Side Panel (Upper)	1		LVL Slats (Short)	15
03	Center Support Panel	4			
06	Back Side Panel (Bottom)	1			
18	Front Side Panel (Upper)	1			
19	Front Panel (Upper)	1			
20	Front Side Panel (Bottom)	1			
Carton 3 of 4					
08	Right Panel (Shelf)	1			
09	Left Panel (Shelf)	1			
12	Left End Panel (Front)	1			
16	Right End Panel (Front)	1			
21	1st & 4th Ladder Step	2			
22	2nd & 3rd Ladder Step	2			
23	Ladder Left Panel	1			
24	Ladder Right Panel	1			
	LVL Slats (Long)	15			

Part List

Model : MG 7775

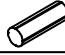
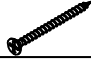







Fitting List

Model : MG 7775

Carton 1 of 4

Fitting List

No.	Part Name		Pcs
A	Cam Stud (small)		75
B	Cam		79
C	Contractfic Dowel		4
D	M8 x 25mm Wood Dowel		132
E	45mm Chipboard Screw		22
F	38mm Chipboard Screw		12
G	14mm Chipboard Screw		48
H	6/8 L Braket		8
J	G-390 Small Caster		8
K	M6 x 13mm Baller		24
L	M6 x 25mm Round Stopper		2
M	M6 x 60mm Allen Bolt		8
N	M6 x 50mm Allen Bolt		14
P	M6 x 40mm Allen Bolt		10
Q	M6 x 35mm Allen Bolt		26
R	M6 x 30mm Allen Bolt		64
S	M6 x 12mm Allen Bolt		4
T	Felt Pads (45 x 14mm)		18
U	M6 JCN Nut		22
V	M6 Allen Wrench		2
W	128mm Leather Handle (Brown)		2
X	18mm Handle Screw		4
Y	Round Sticker		32+2

Caution

There are many small components used in the construction of this unit. These loose items should be kept away from young children whilst assembling your unit. As an extra precaution, screw cover caps should be permanently fixed in position. (Where applicable)




USEFUL HINTS & TIPS

Two people will be required to assemble this unit

Please keep this assembly instruction for future reference

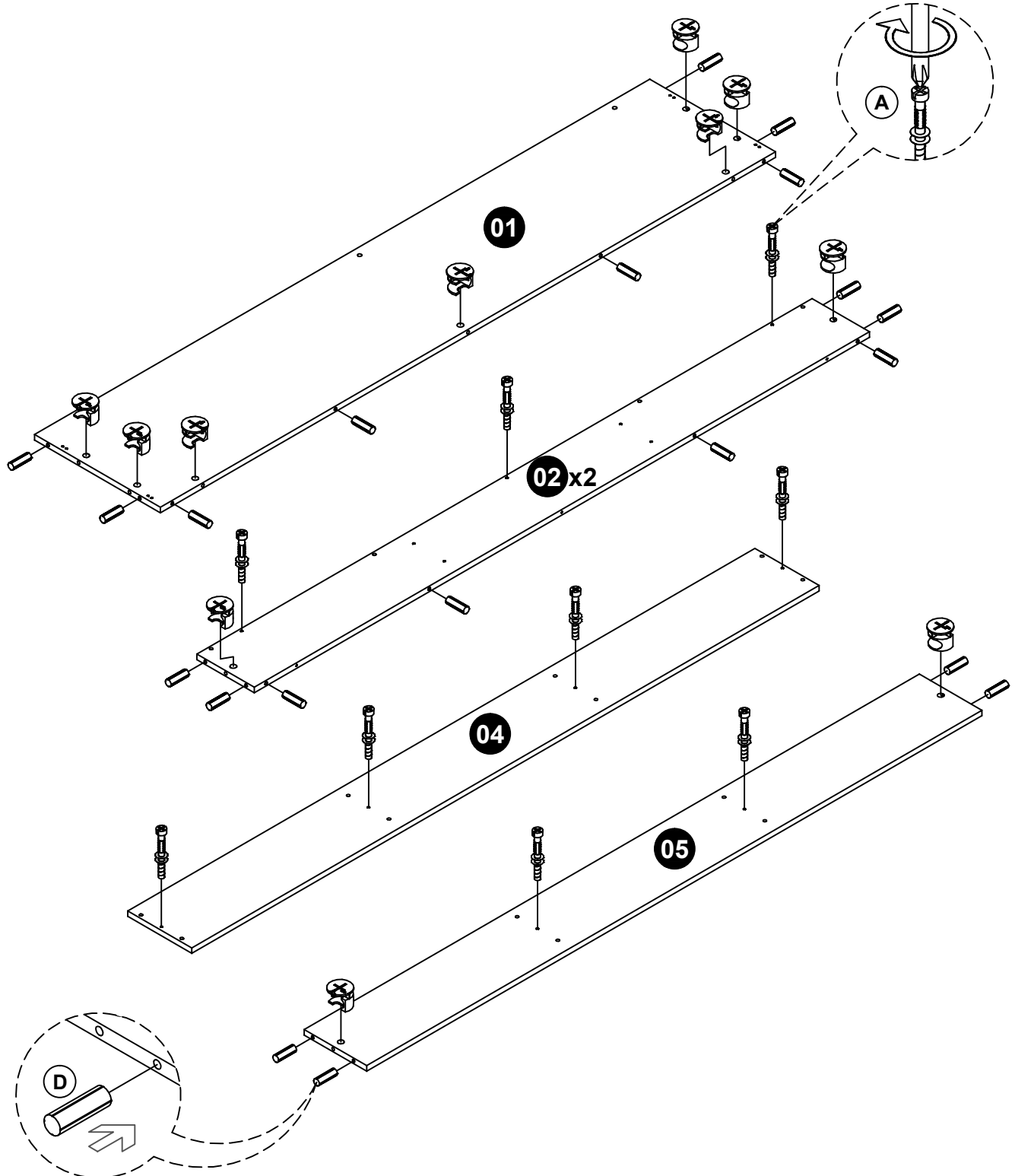
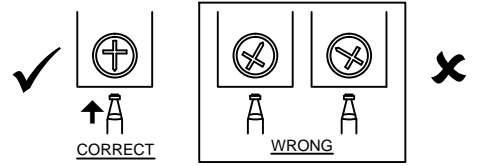
Guide To Assembly

Model : MG 7775

- | | | |
|---|---|--------|
| 1 |  | A x 12 |
| |  | B x 13 |
| |  | D x 28 |

WHEN FITTING CAMS

ENSURE STARTING POSITION IS CORRECT
BEFORE YOU INSERT CONNECTING BOLT
TURN CLOCKWISE UNTIL SECURE



Guide To Assembly

Model : MG 7775

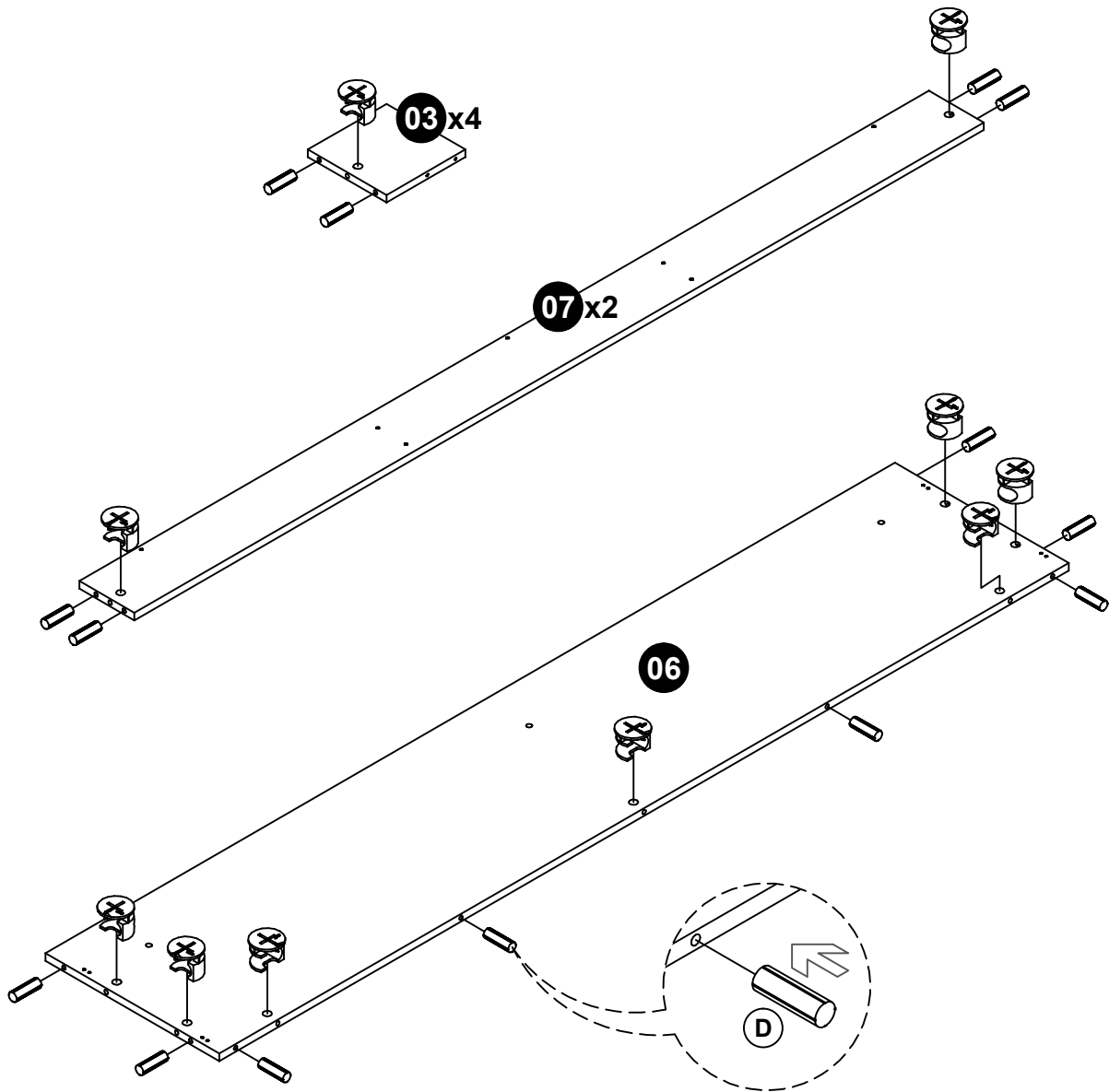
2



B x 15



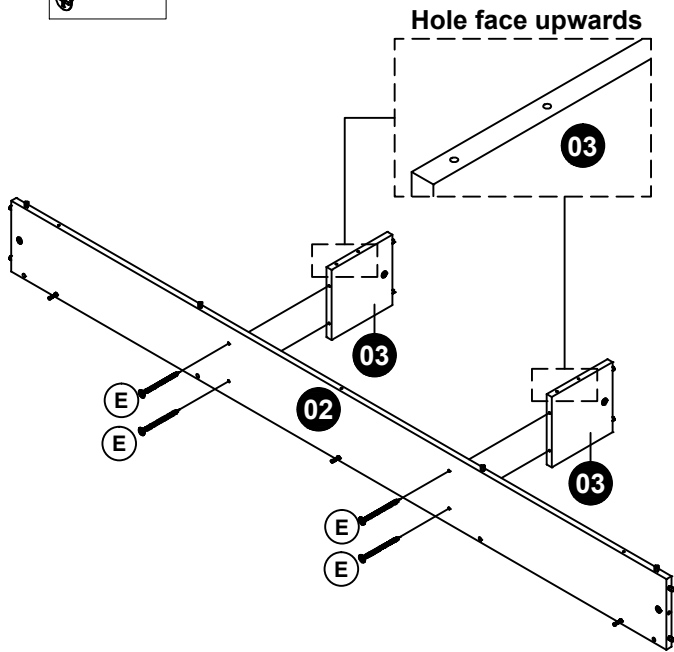
D x 24



Guide To Assembly

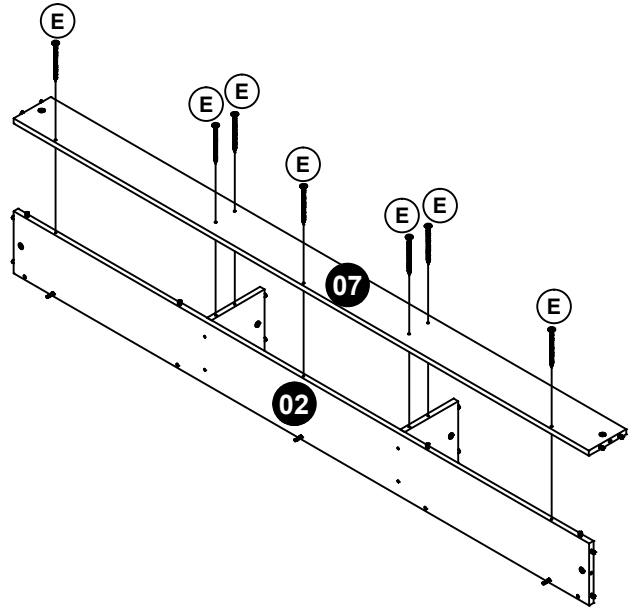
Model : MG 7775

3  E x 8



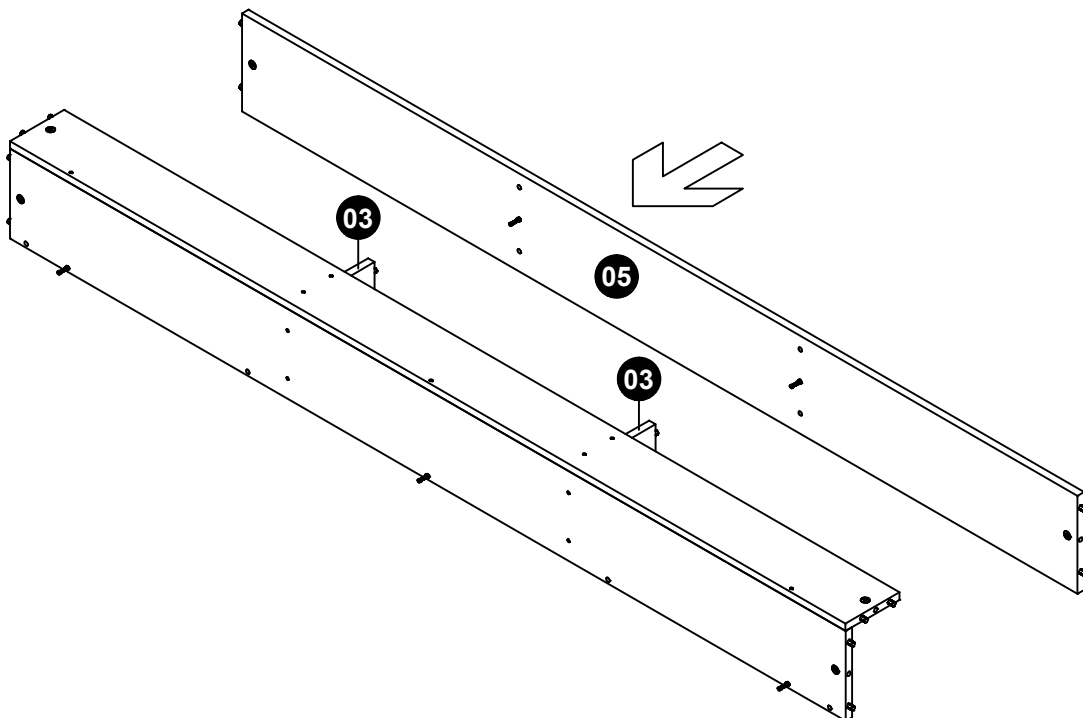
Do This Step 2 Times

4  E x 14



Do This Step 2 Times

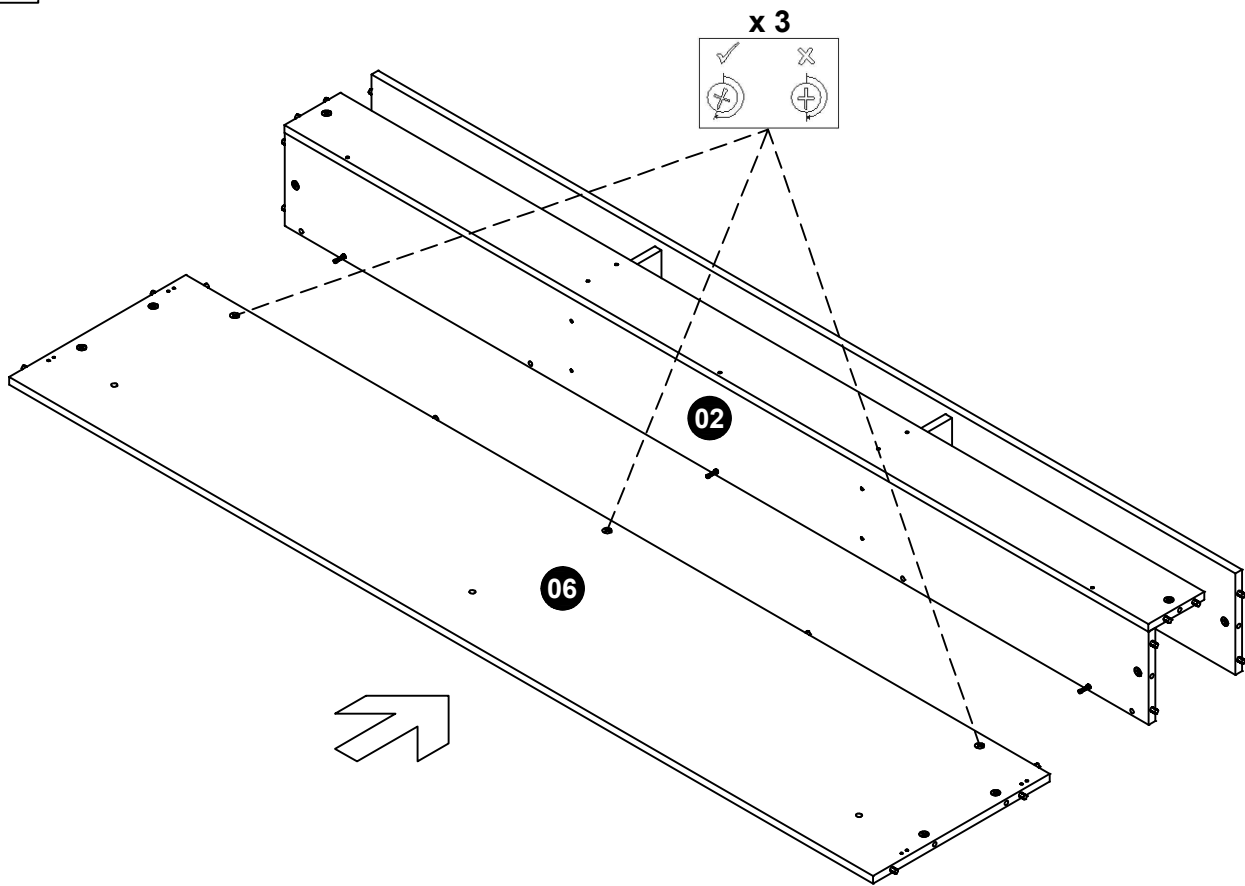
5



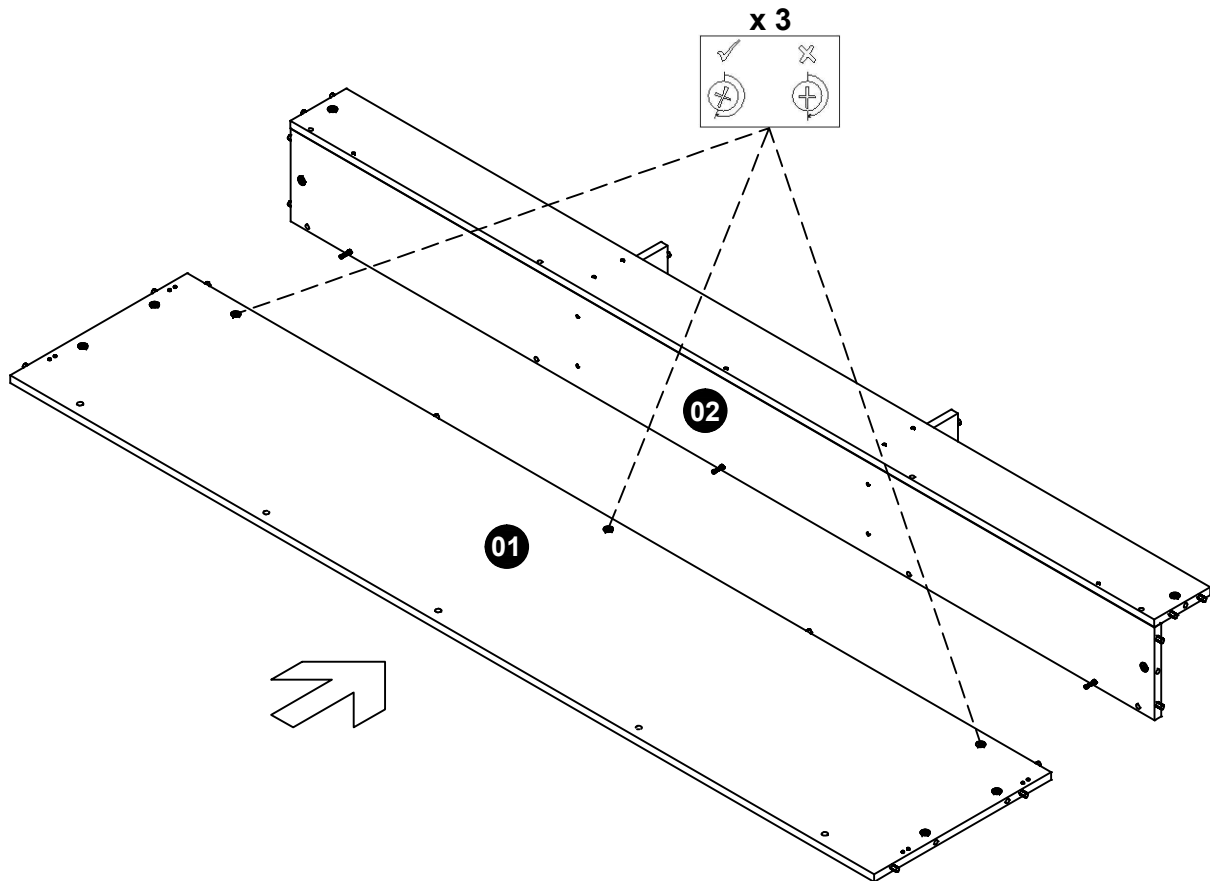
Guide To Assembly

Model : MG 7775

6



7



Guide To Assembly

Model : MG 7775

8 A x 26

B x 2

C x 4

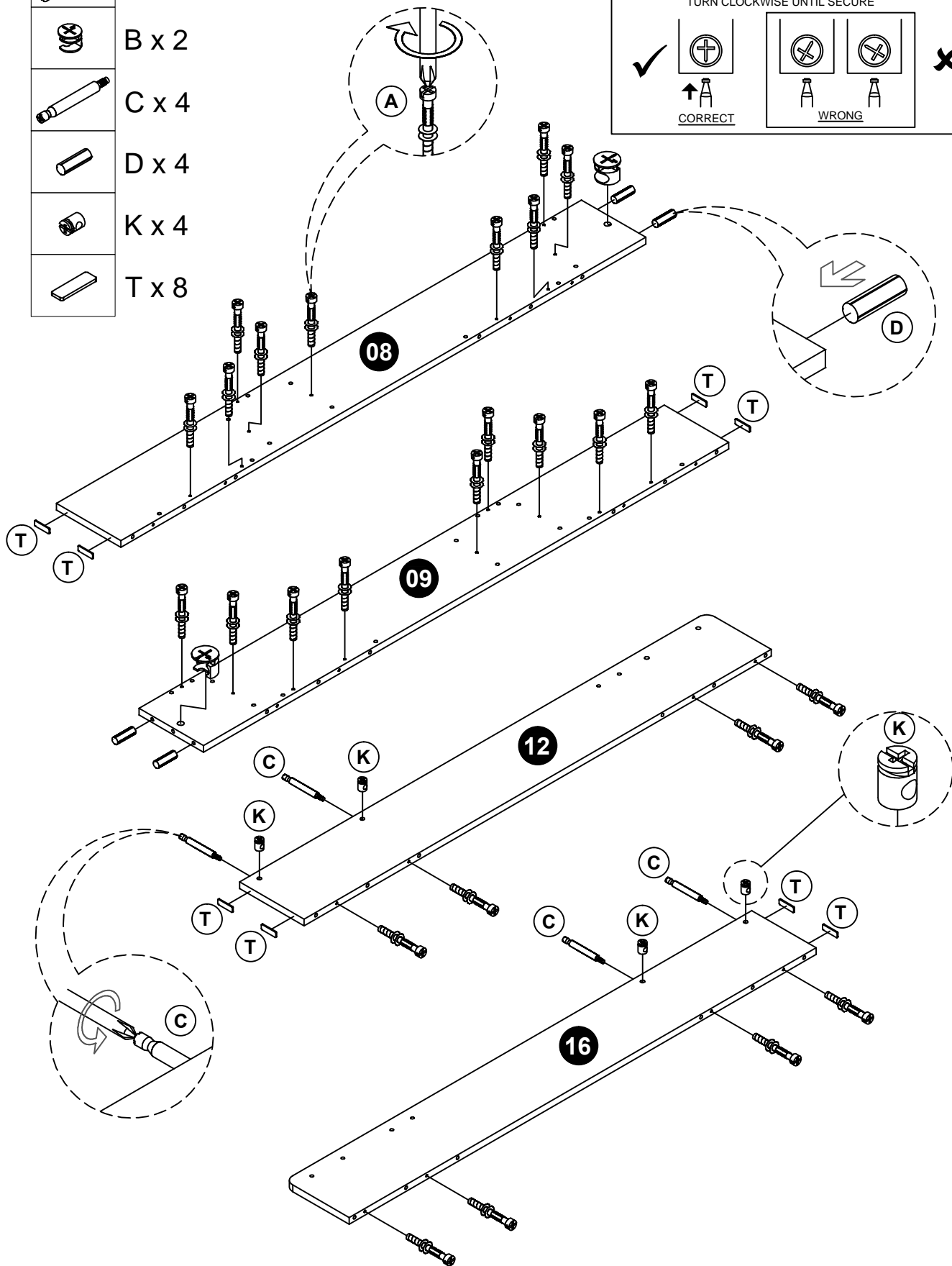
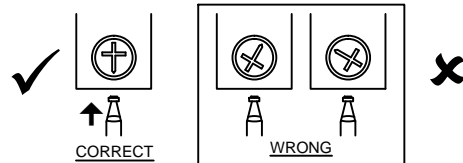
D x 4

K x 4

T x 8

WHEN FITTING CAMS

ENSURE STARTING POSITION IS CORRECT
BEFORE YOU INSERT CONNECTING BOLT
TURN CLOCKWISE UNTIL SECURE



Guide To Assembly

Model : MG 7775

9



B x 21



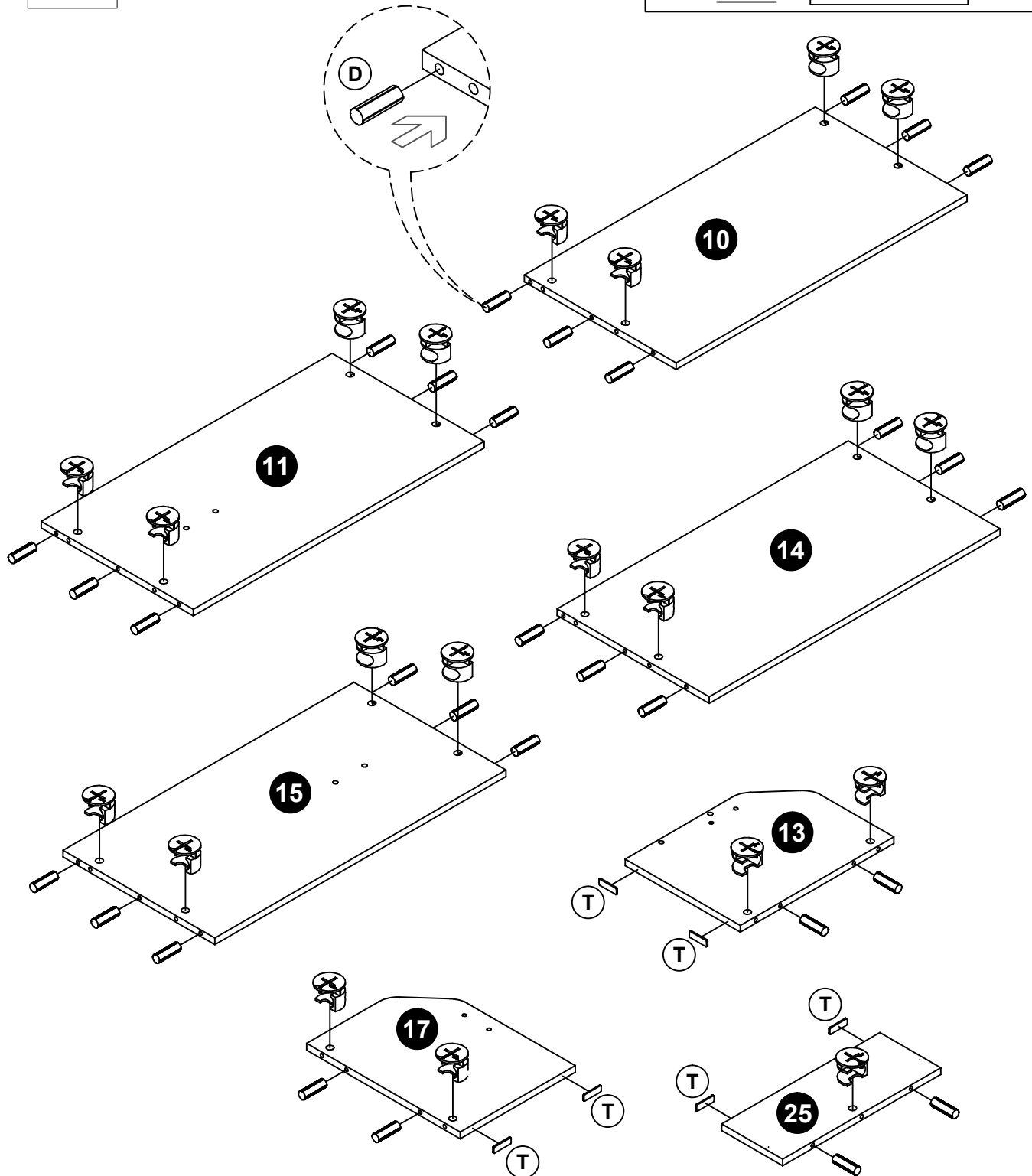
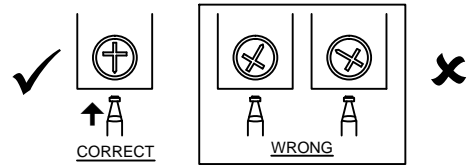
D x 30



T x 6

WHEN FITTING CAMS

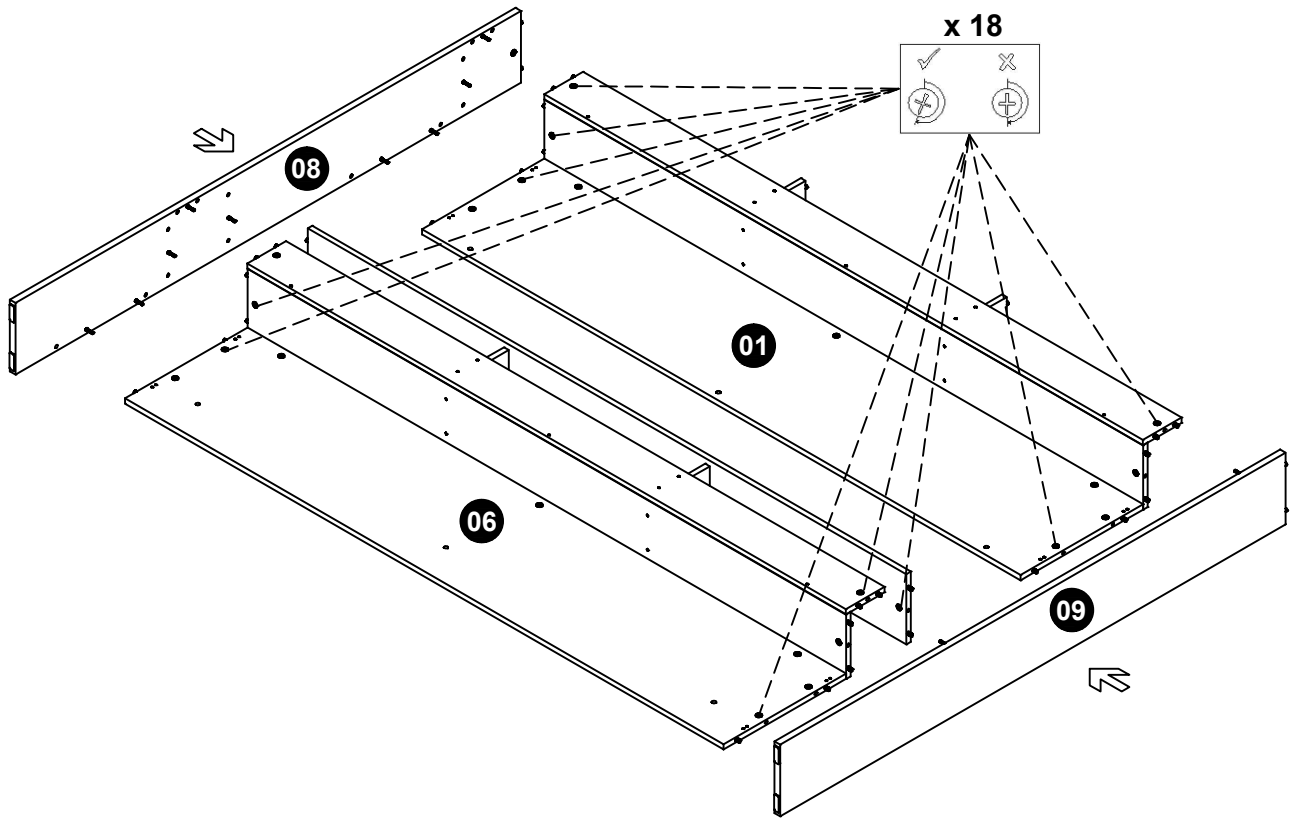
ENSURE STARTING POSITION IS CORRECT
BEFORE YOU INSERT CONNECTING BOLT
TURN CLOCKWISE UNTIL SECURE



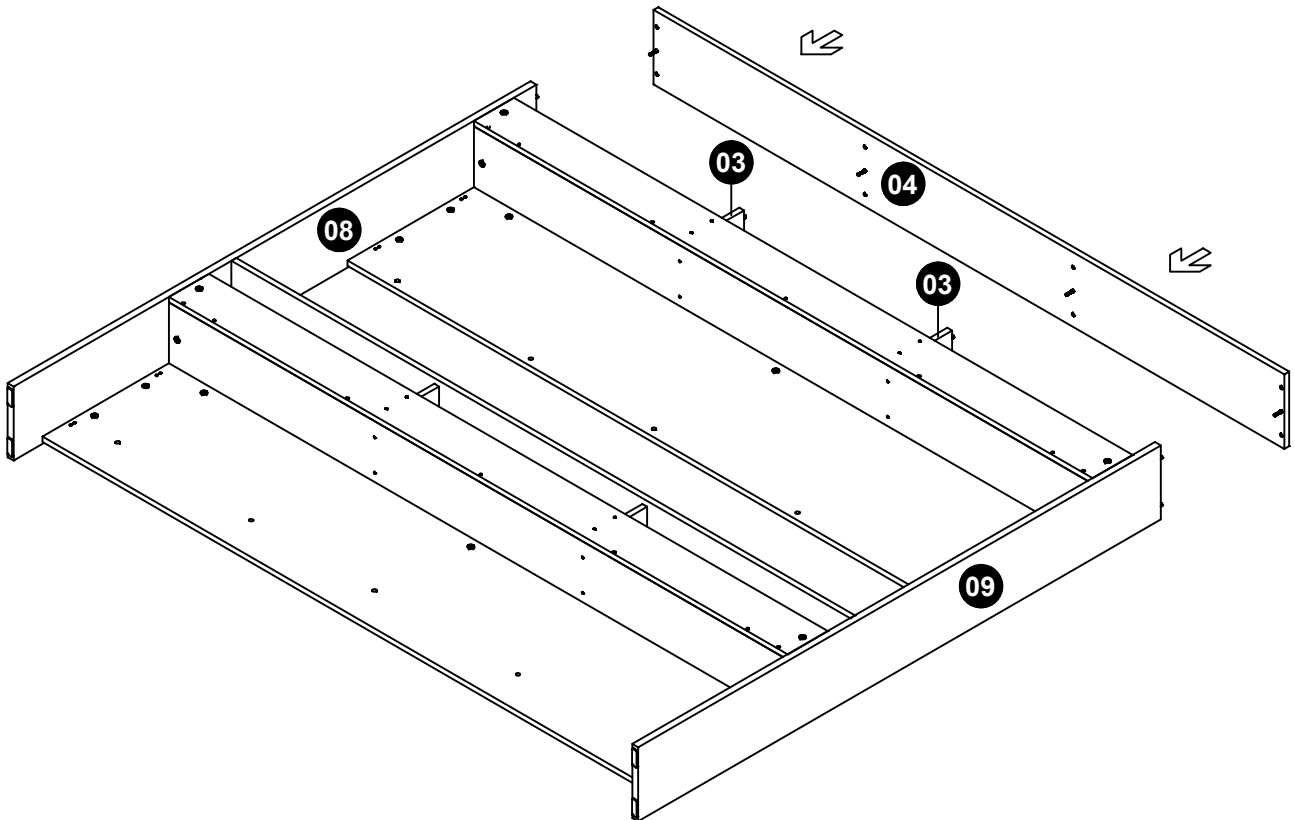
Guide To Assembly

Model : MG 7775

10





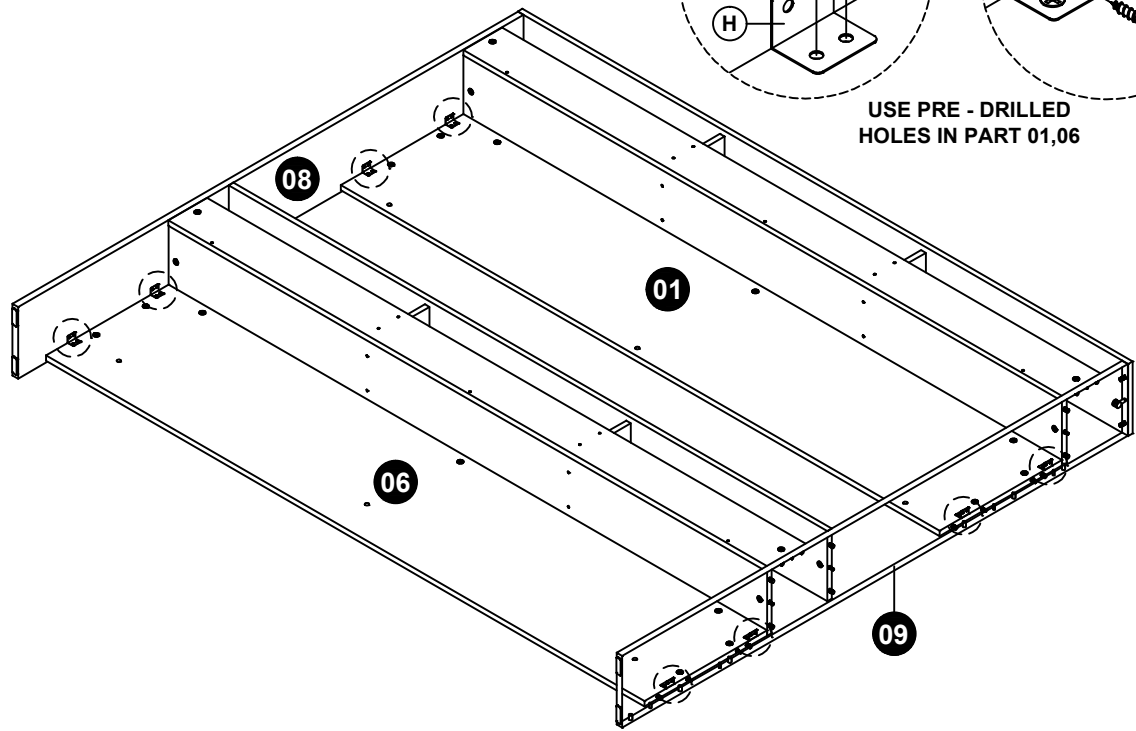
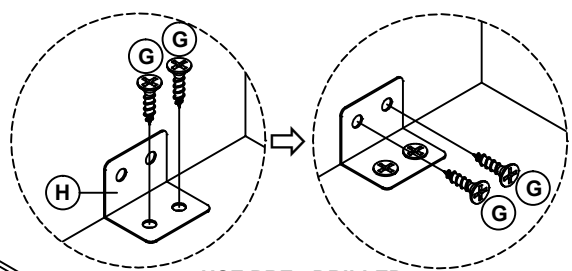
11



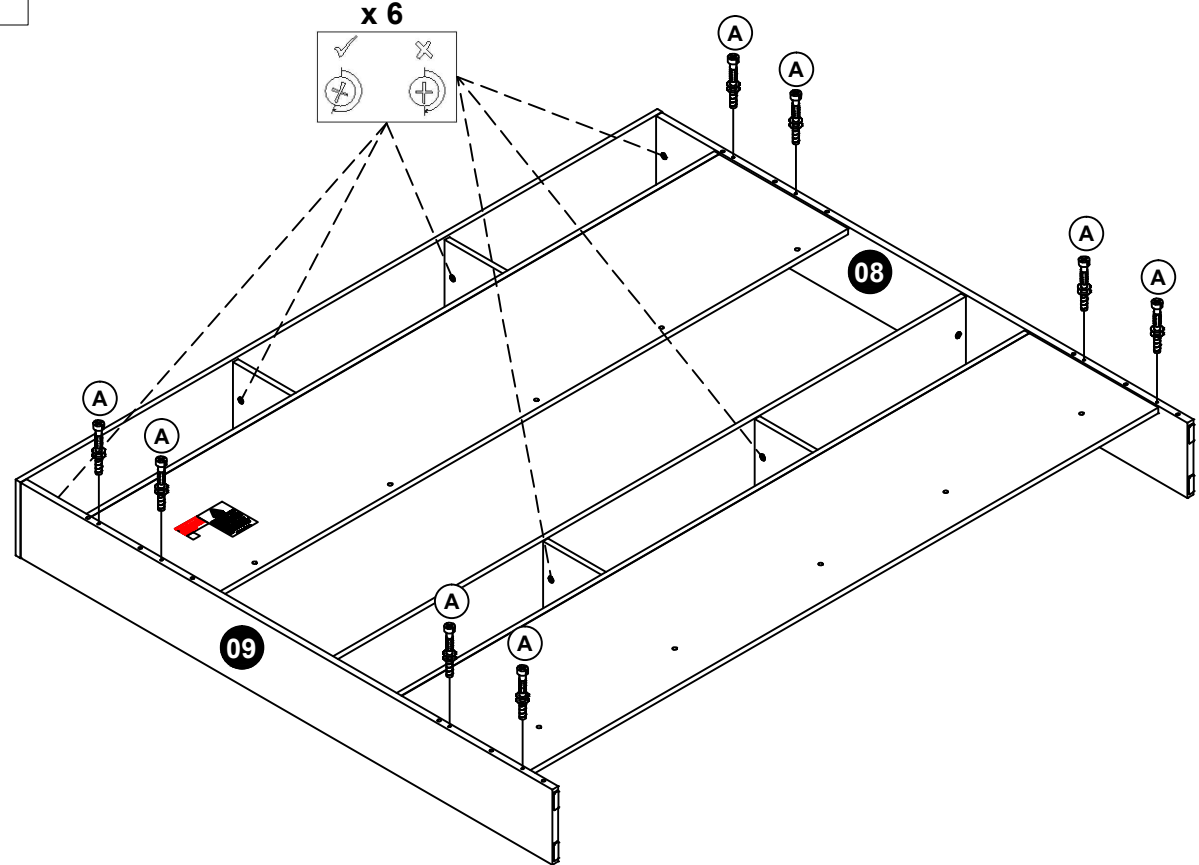
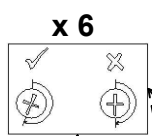
Guide To Assembly

Model : MG 7775

- 12  G x 32
-  H x 8



- 13  A x 8



Guide To Assembly

Model : MG 7775

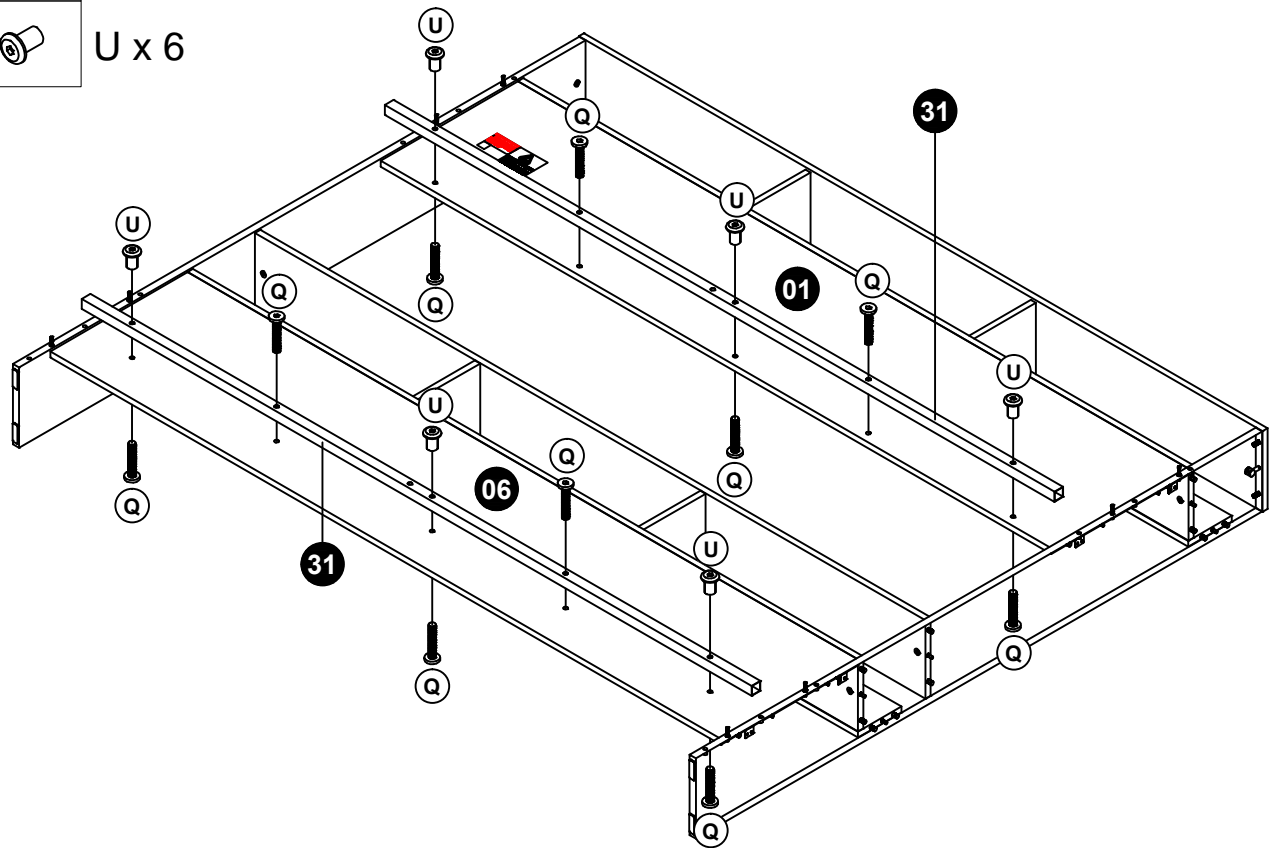
14



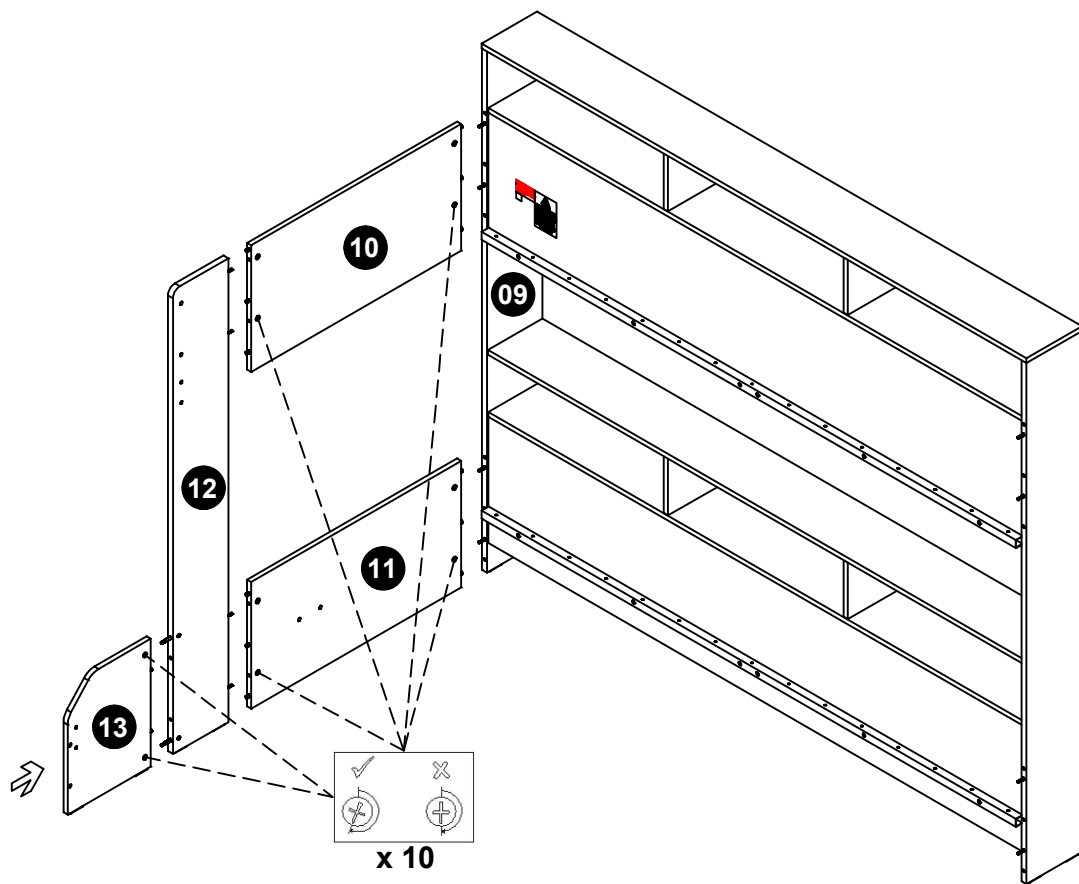
Q x 10



U x 6



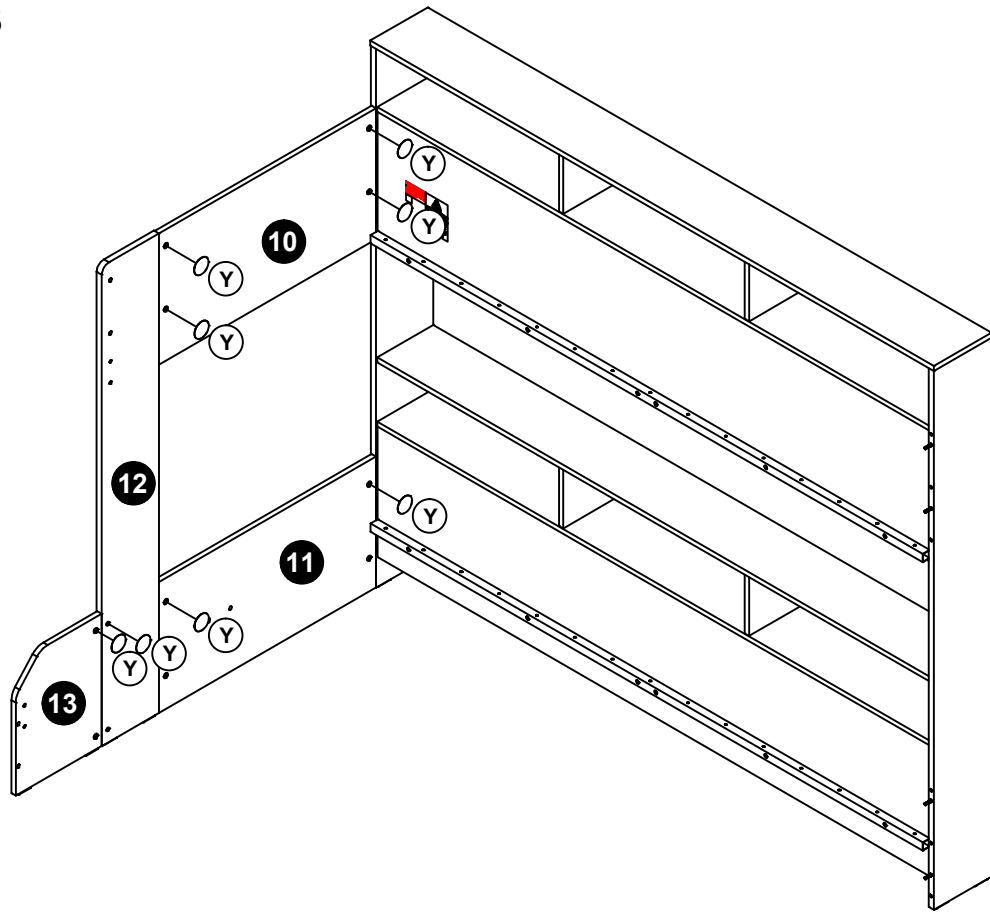
15



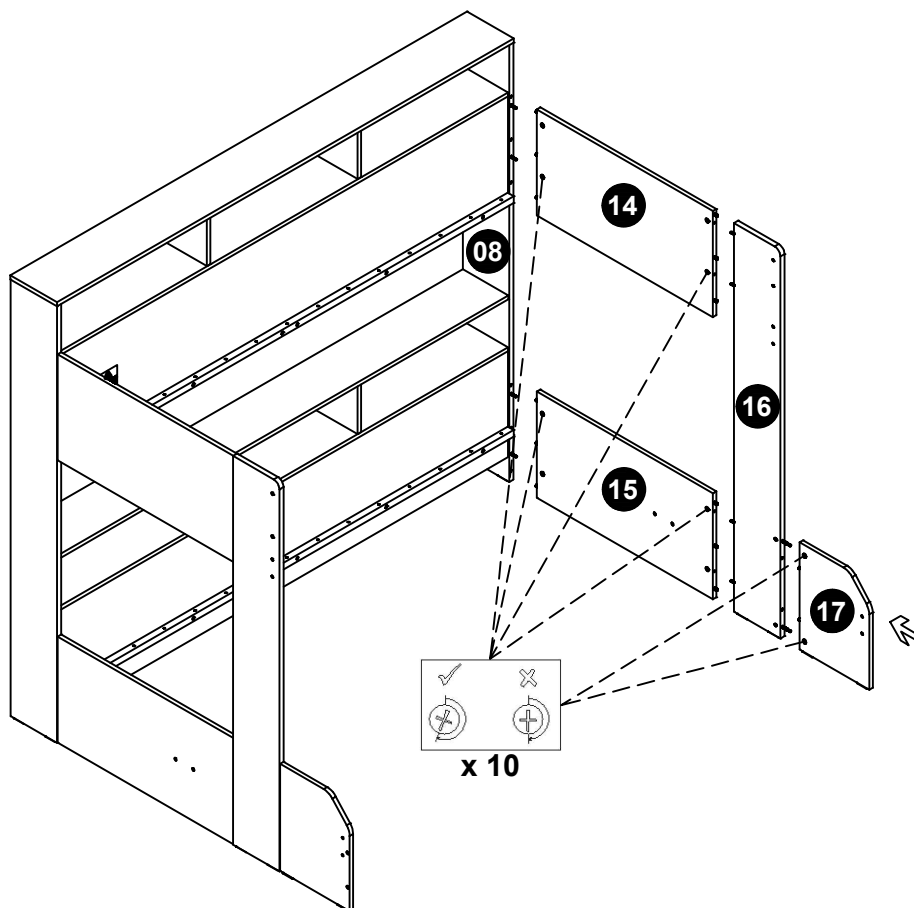
Guide To Assembly

Model : MG 7775

16 ○ Y x 8




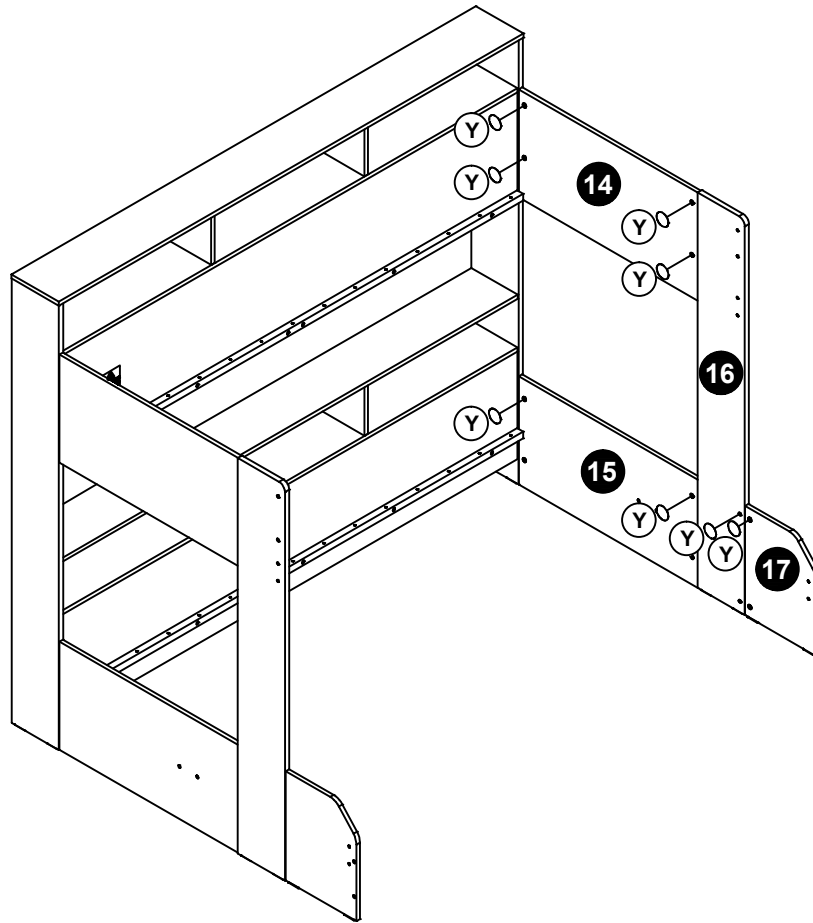
17



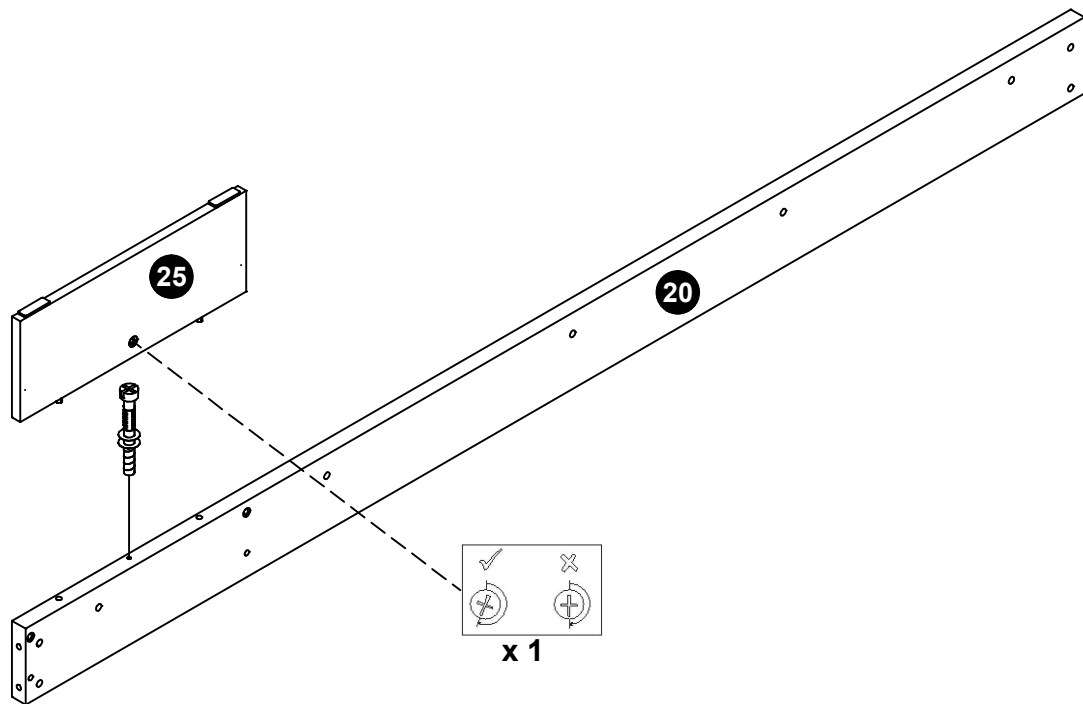
Guide To Assembly

Model : MG 7775

18  Y x 8



19  A x 1



Guide To Assembly

Model : MG 7775

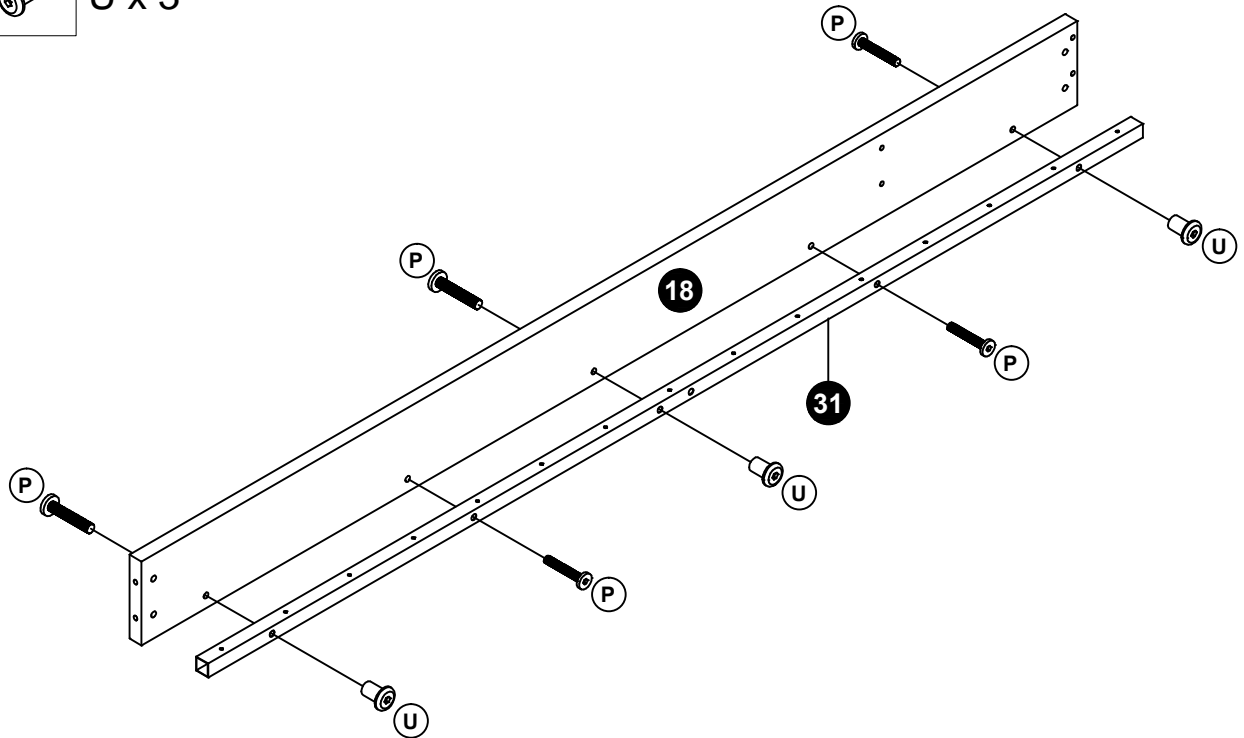
20



P x 5



U x 3



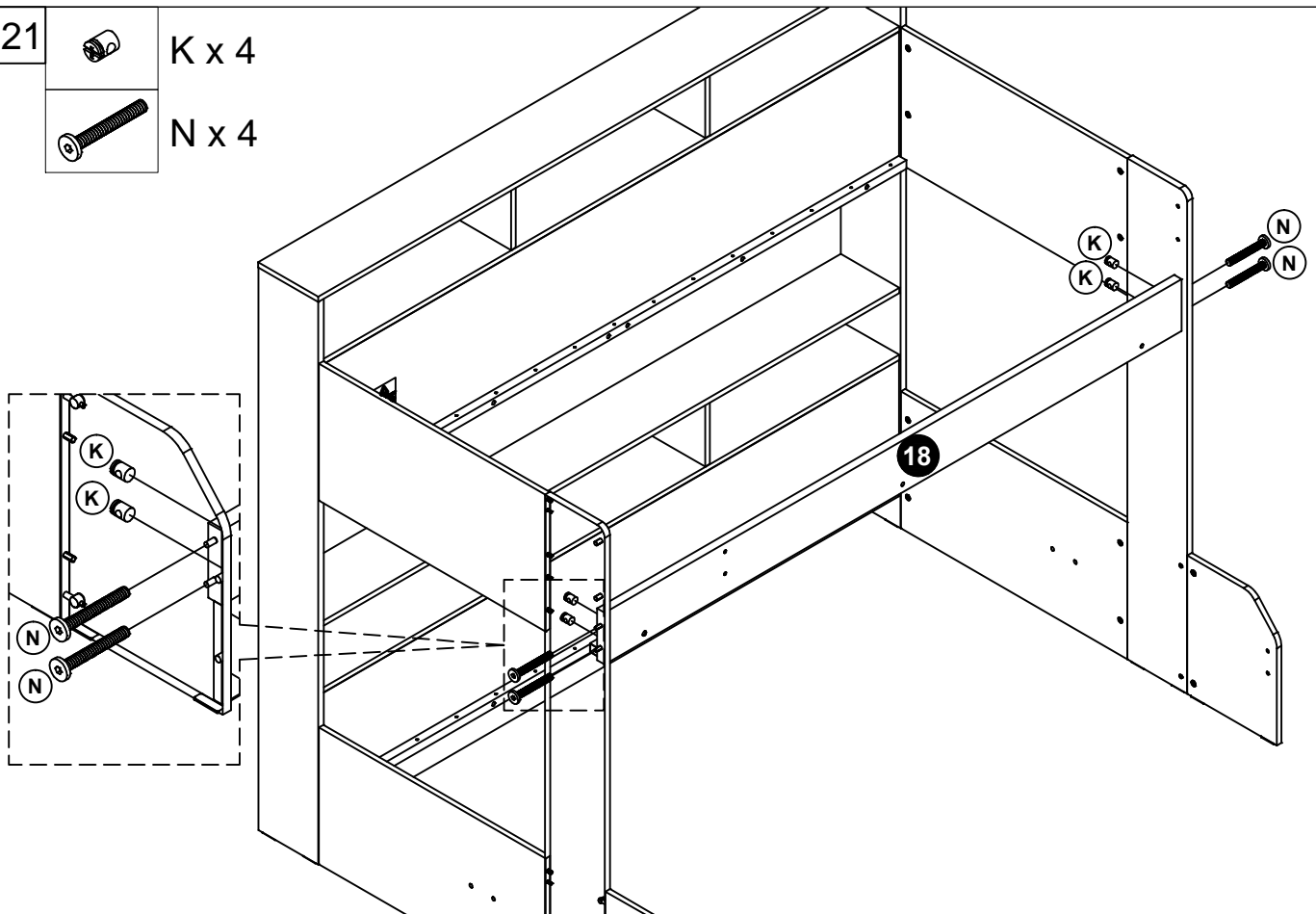
21



K x 4



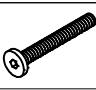


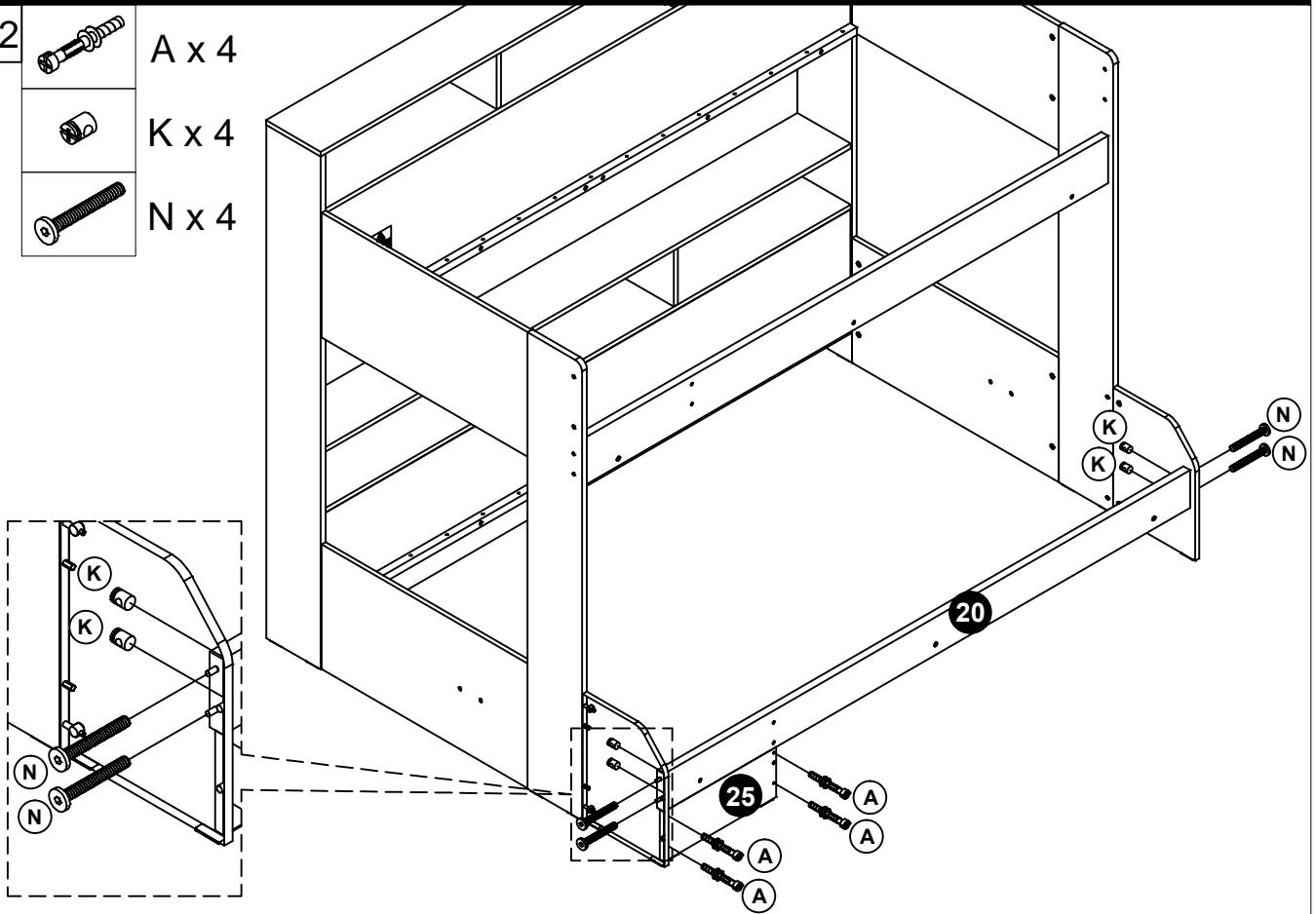
N x 4







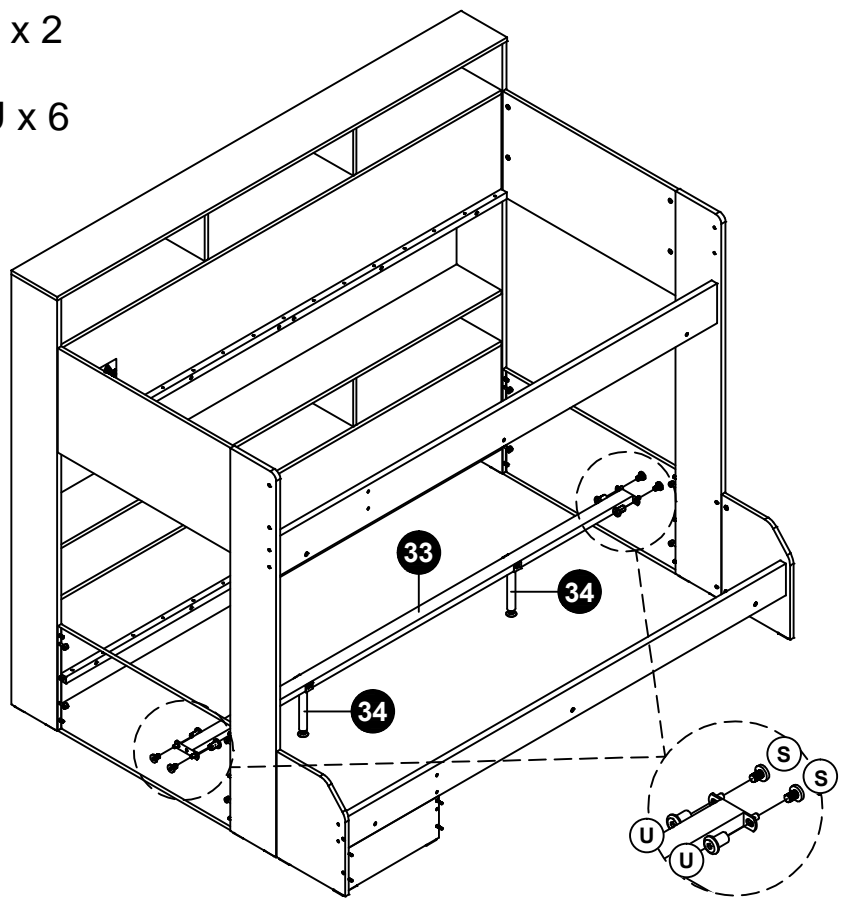
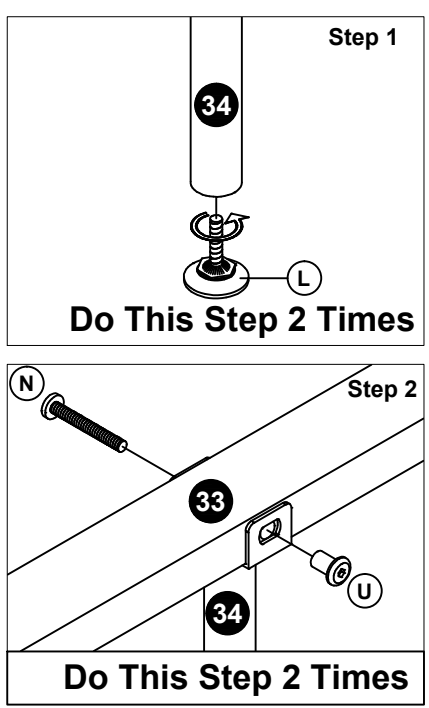
Guide To Assembly

Model : MG 7775

- 22
-  A x 4
 -  K x 4
 -  N x 4



- 23
-  N x 2
 -  L x 2
 -  S x 4
 -  U x 6



Guide To Assembly

Model : MG 7775

24



A x 8



B x 12



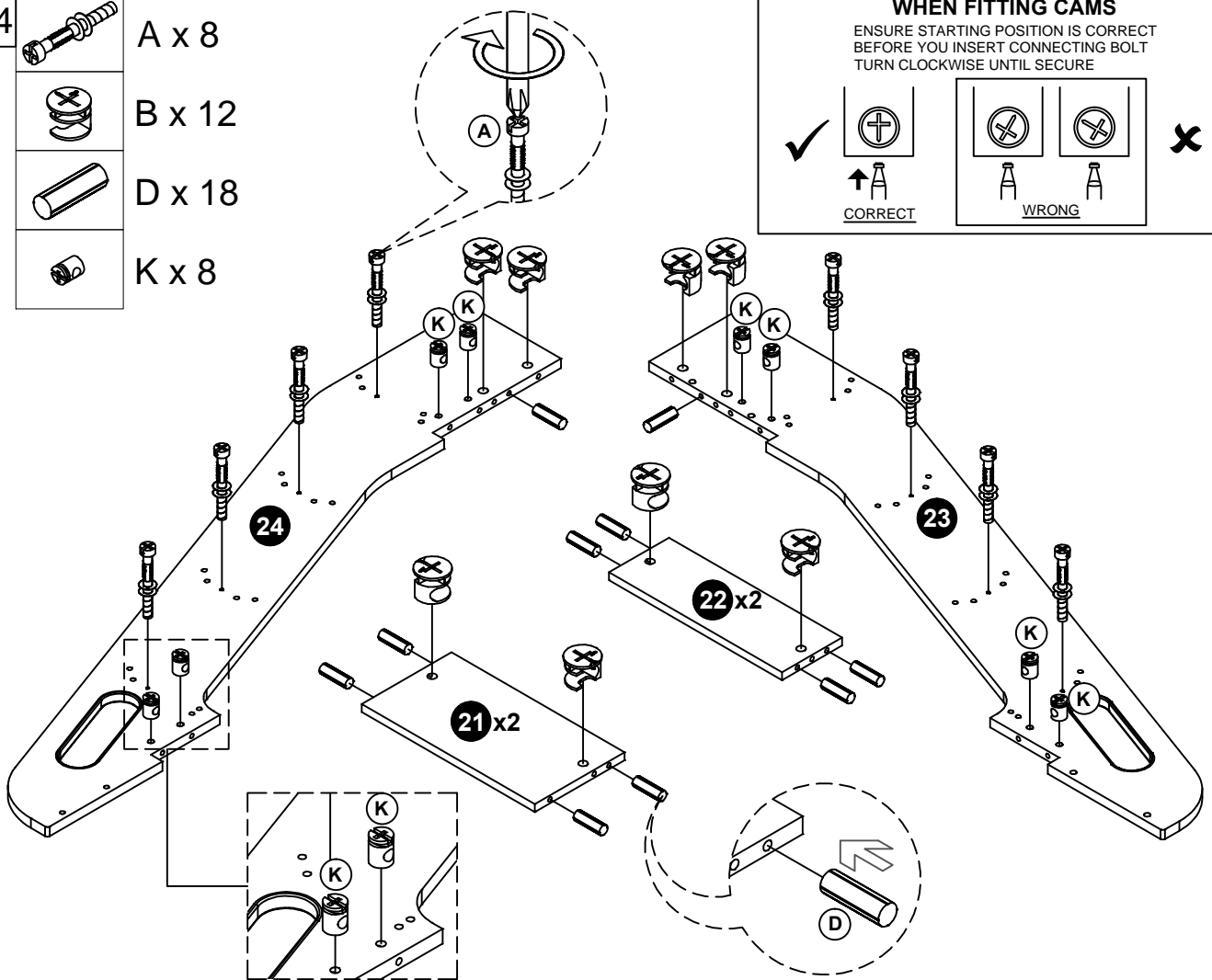
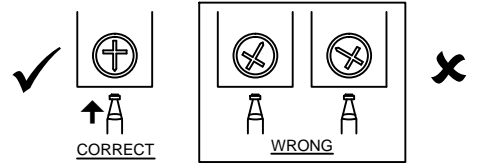
D x 18



K x 8

WHEN FITTING CAMS

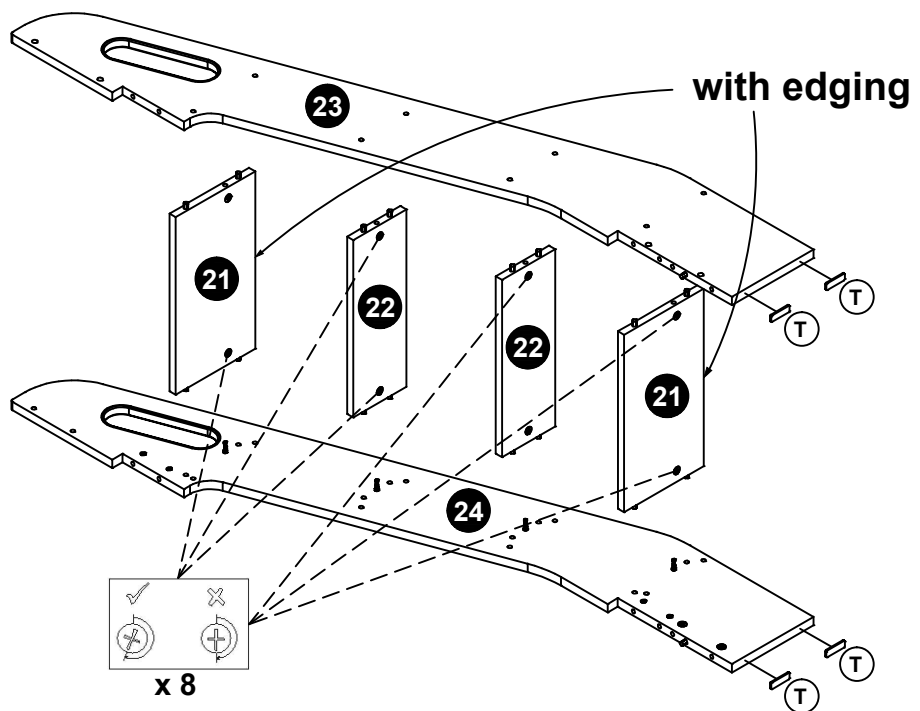
ENSURE STARTING POSITION IS CORRECT
BEFORE YOU INSERT CONNECTING BOLT
TURN CLOCKWISE UNTIL SECURE



25



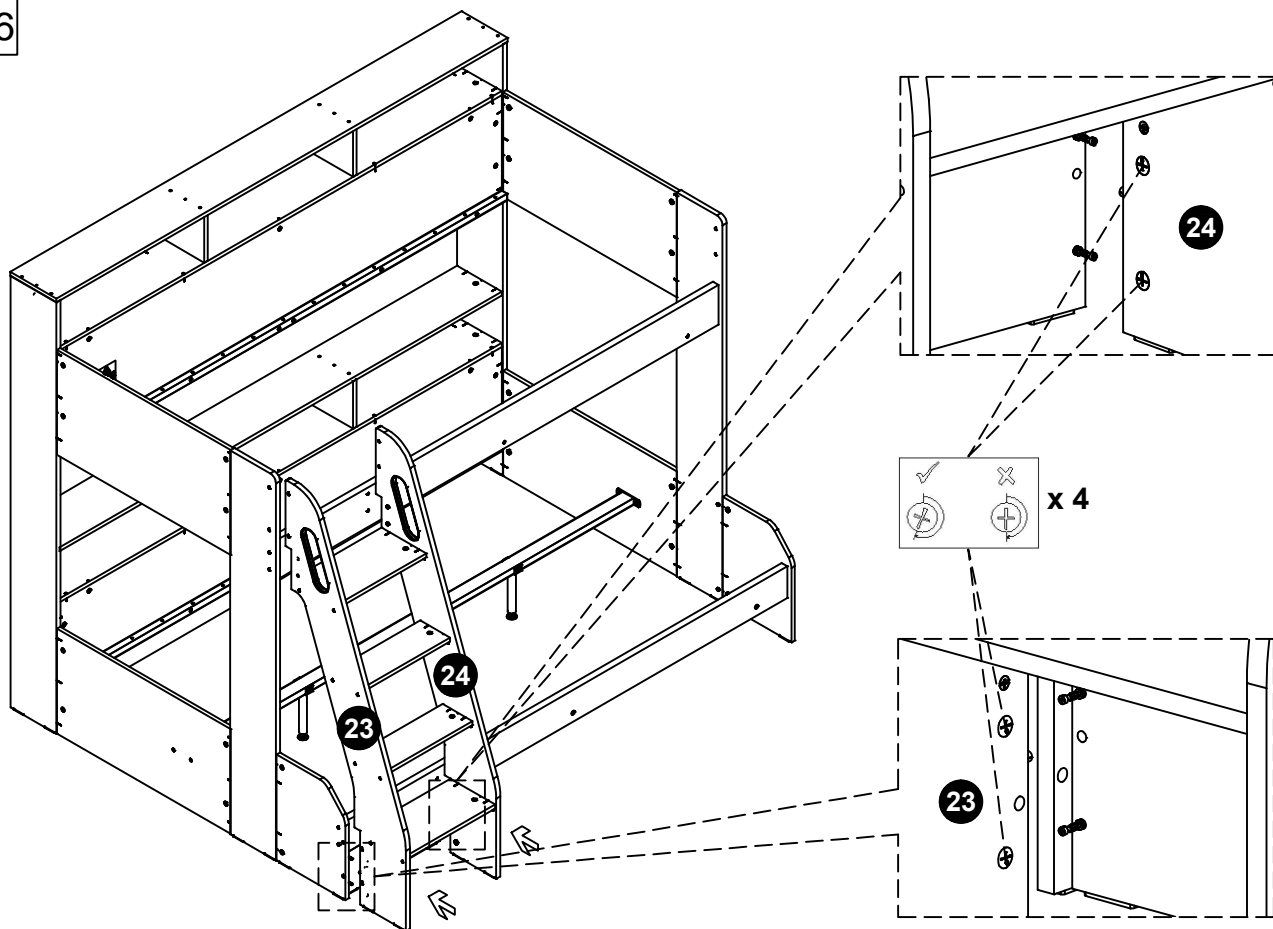
T x 4



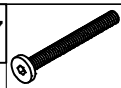
Guide To Assembly

Model : MG 7775

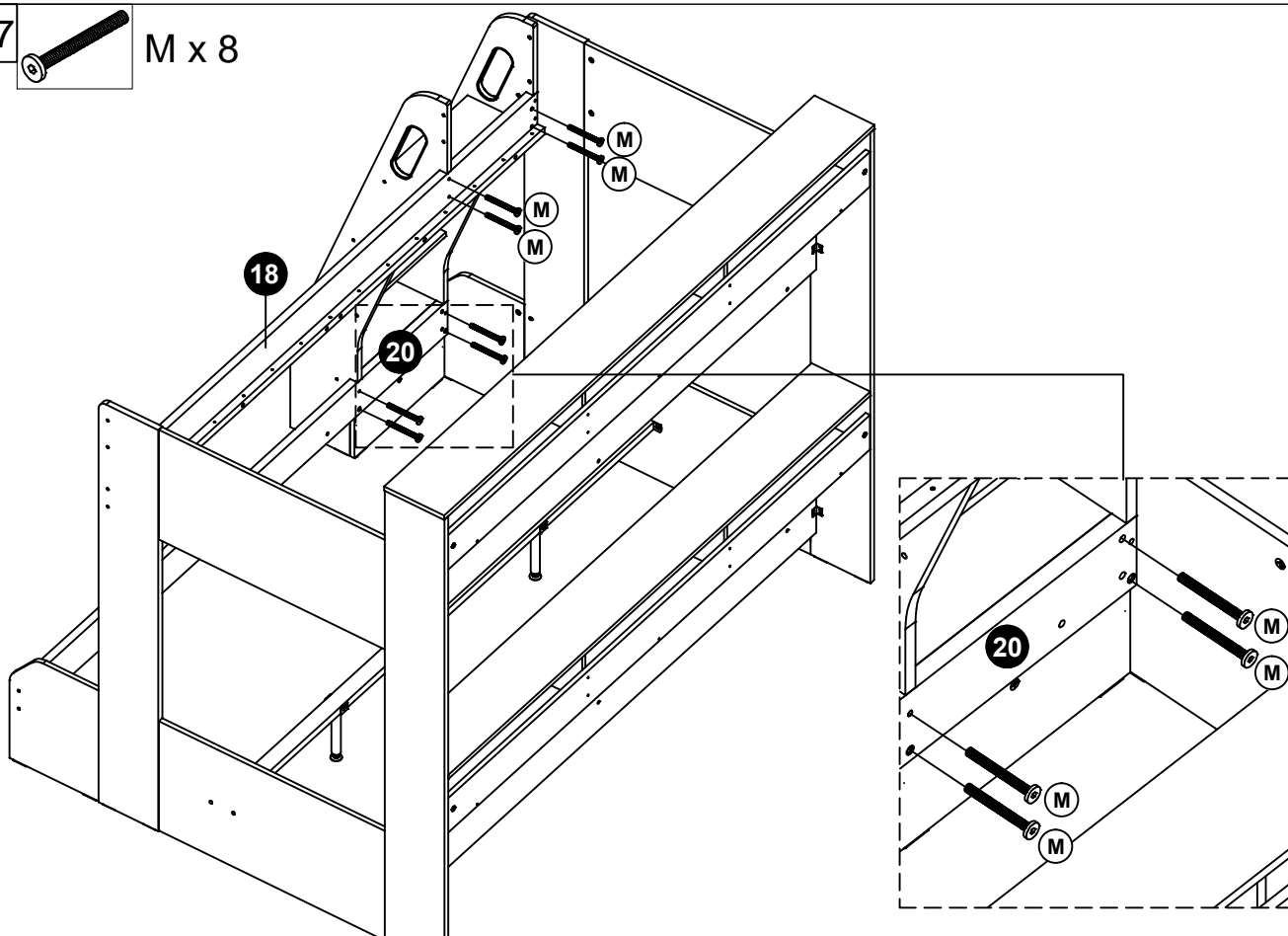
26



27

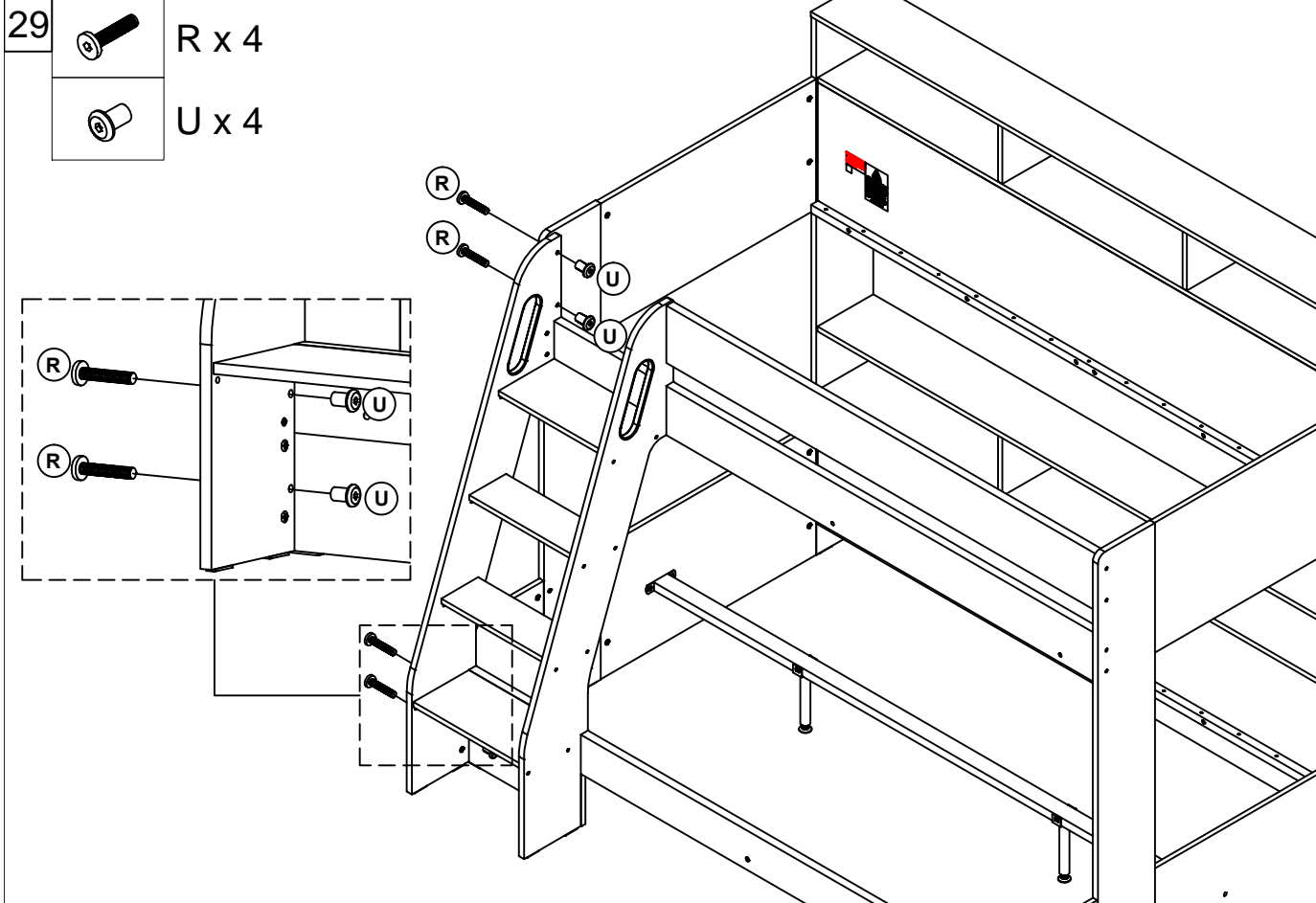
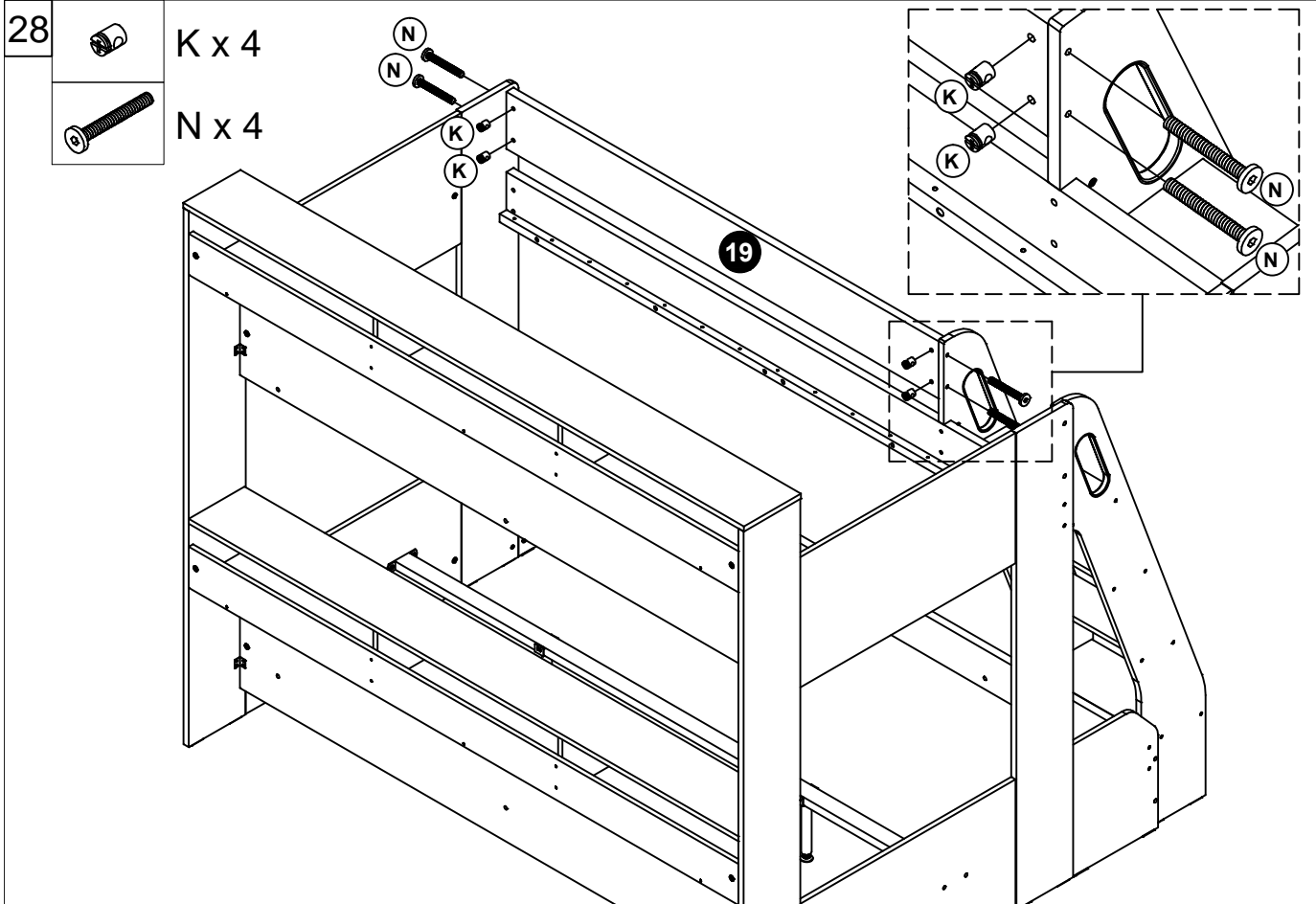


M x 8



Guide To Assembly

Model : MG 7775



Guide To Assembly

Model : MG 7775

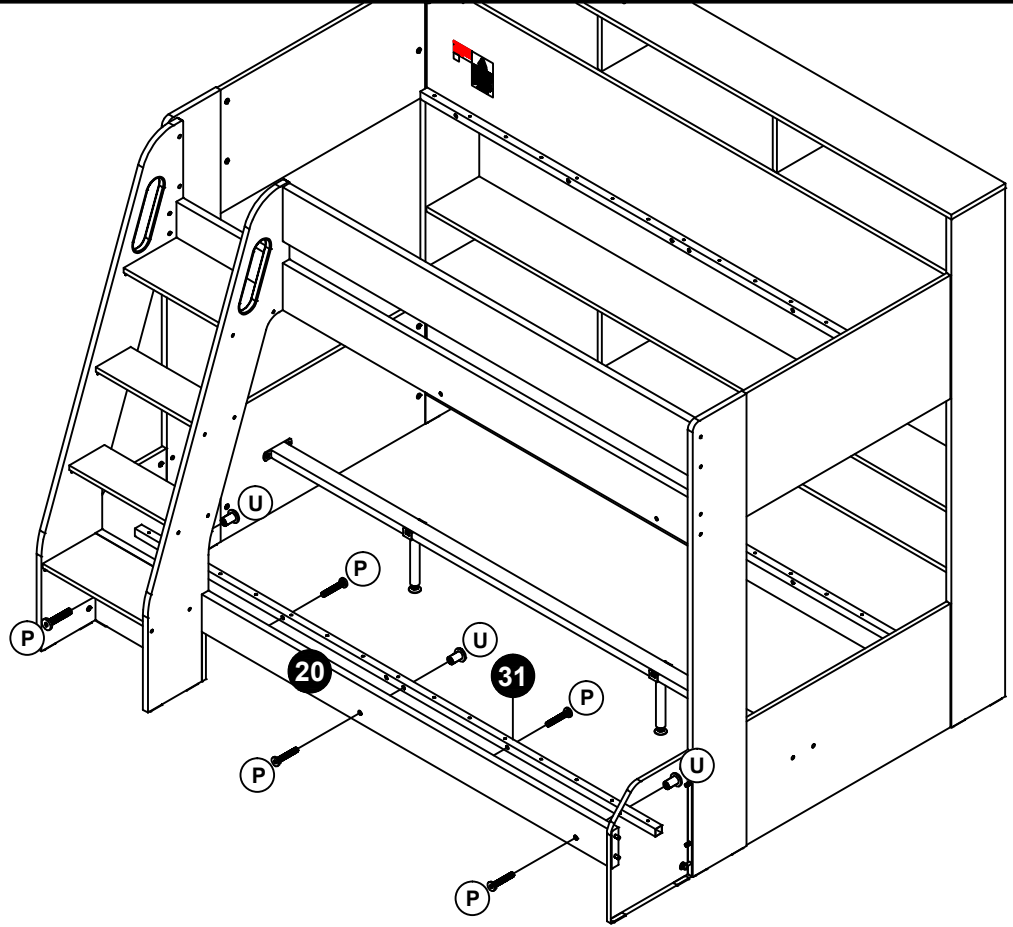
30



P x 5



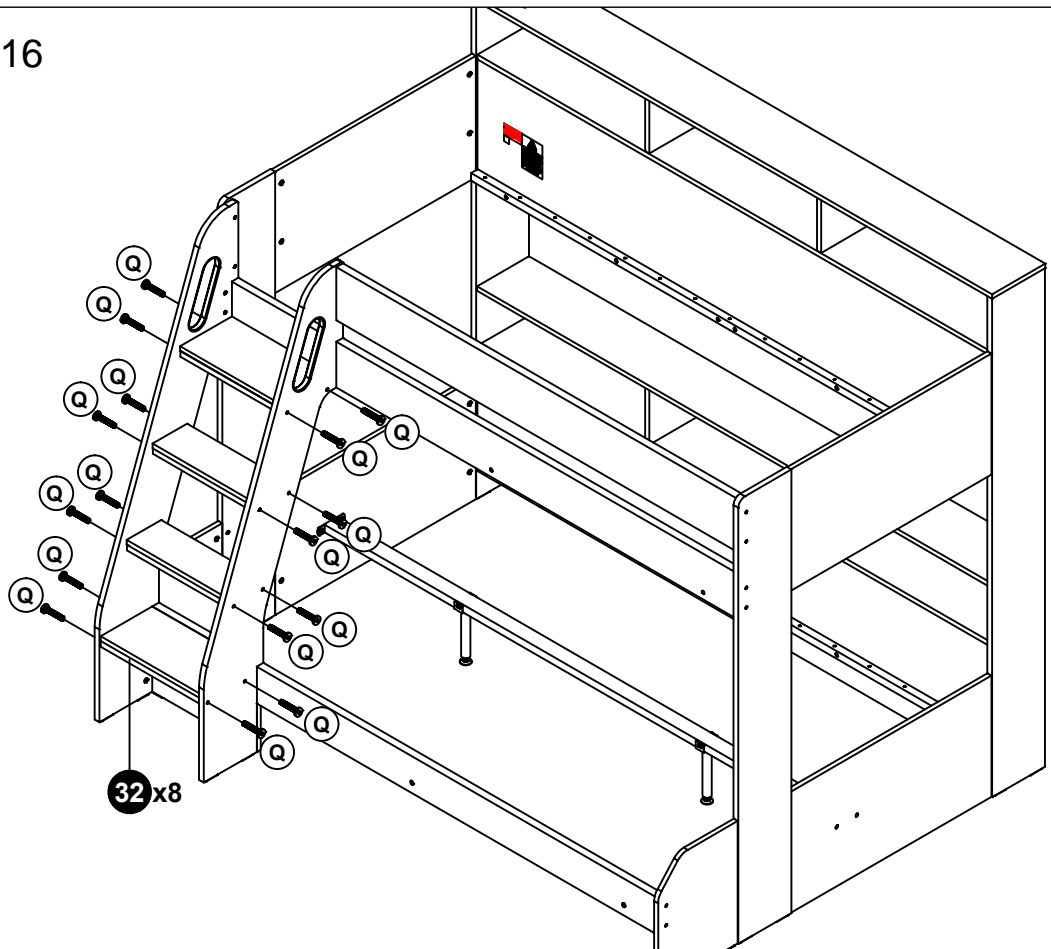
U x 3



31



Q x 16



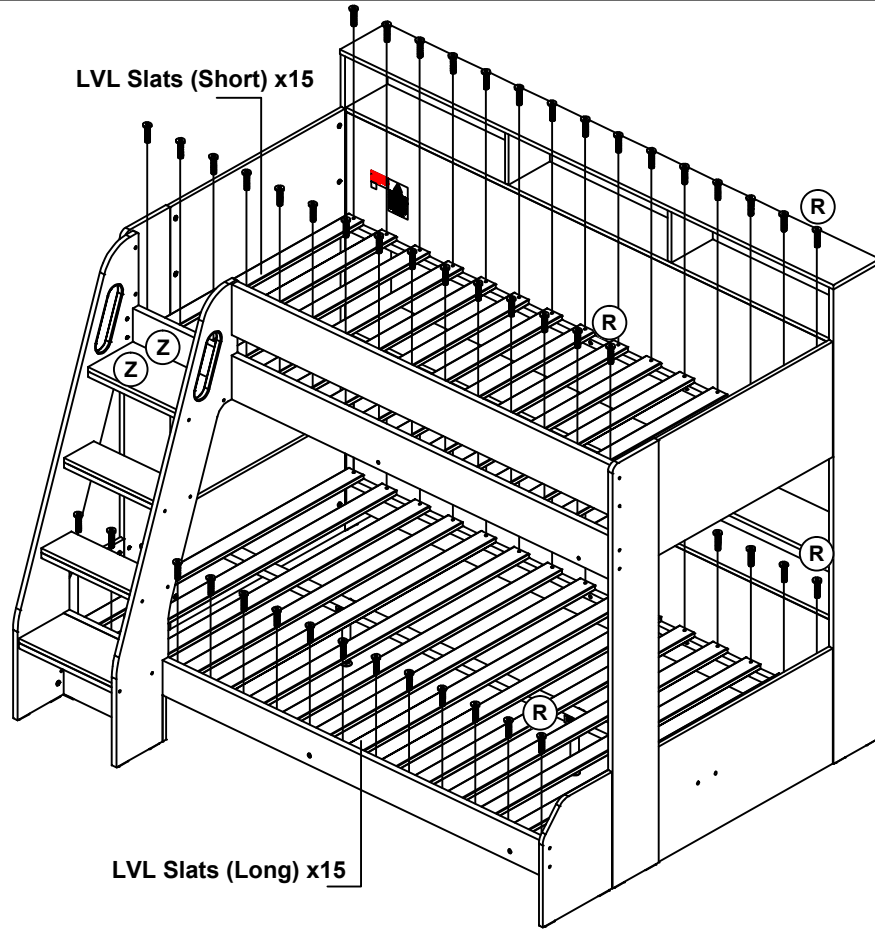
Guide To Assembly

Model : MG 7775

32



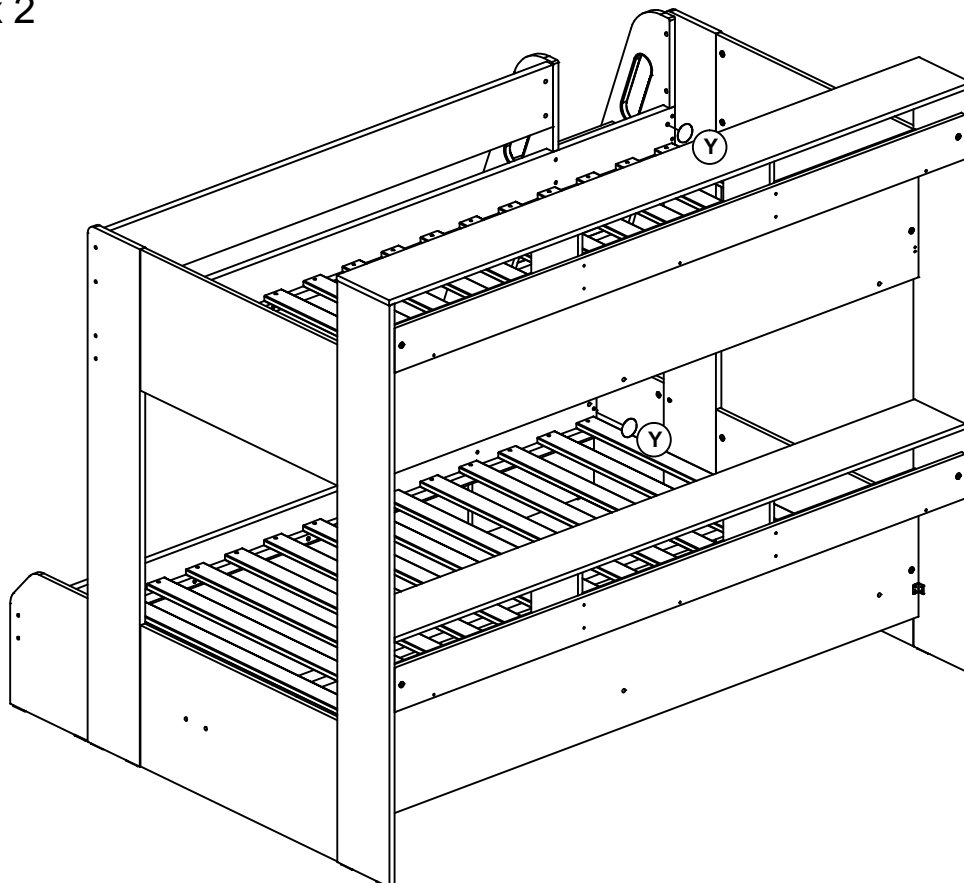
R x 60



33



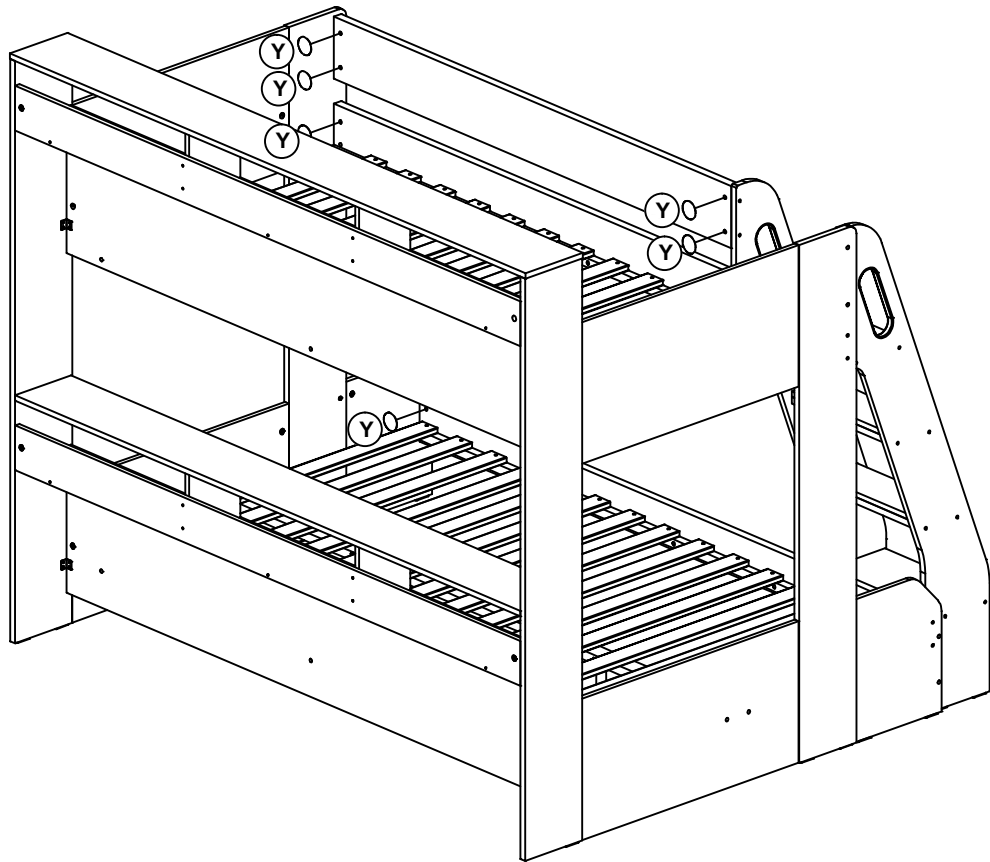
Y x 2



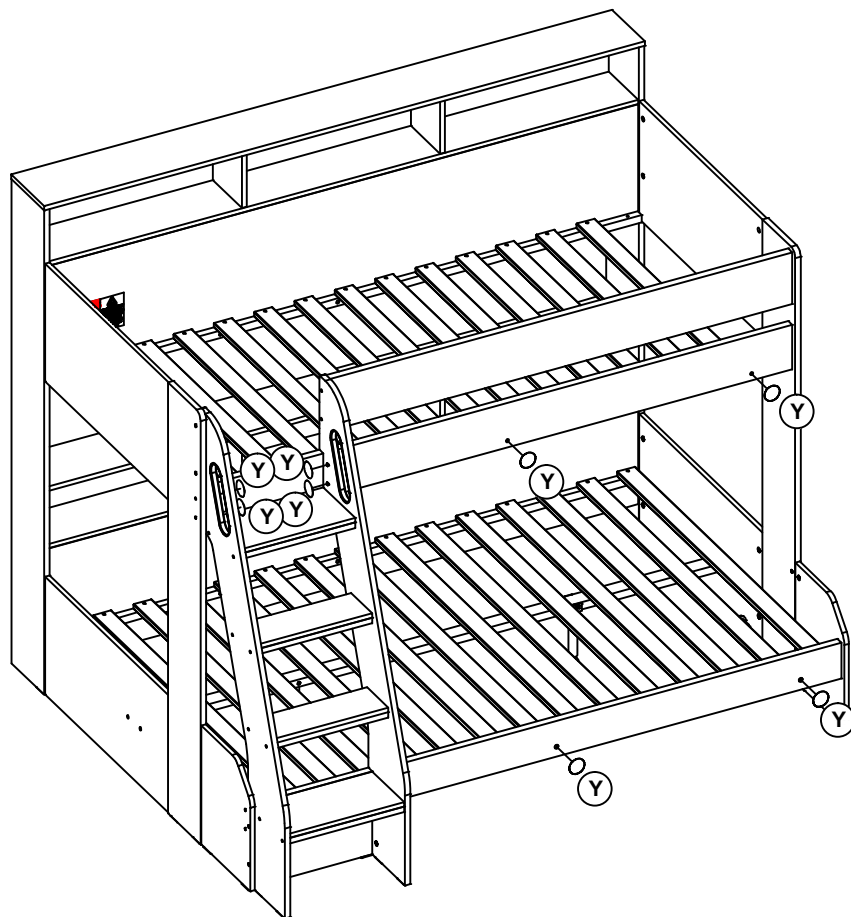
Guide To Assembly

Model : MG 7775

34 ○ Y x 6



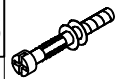
35 ○ Y x 8



Guide To Assembly

Model : MG 7775

36 A x 16



A x 16



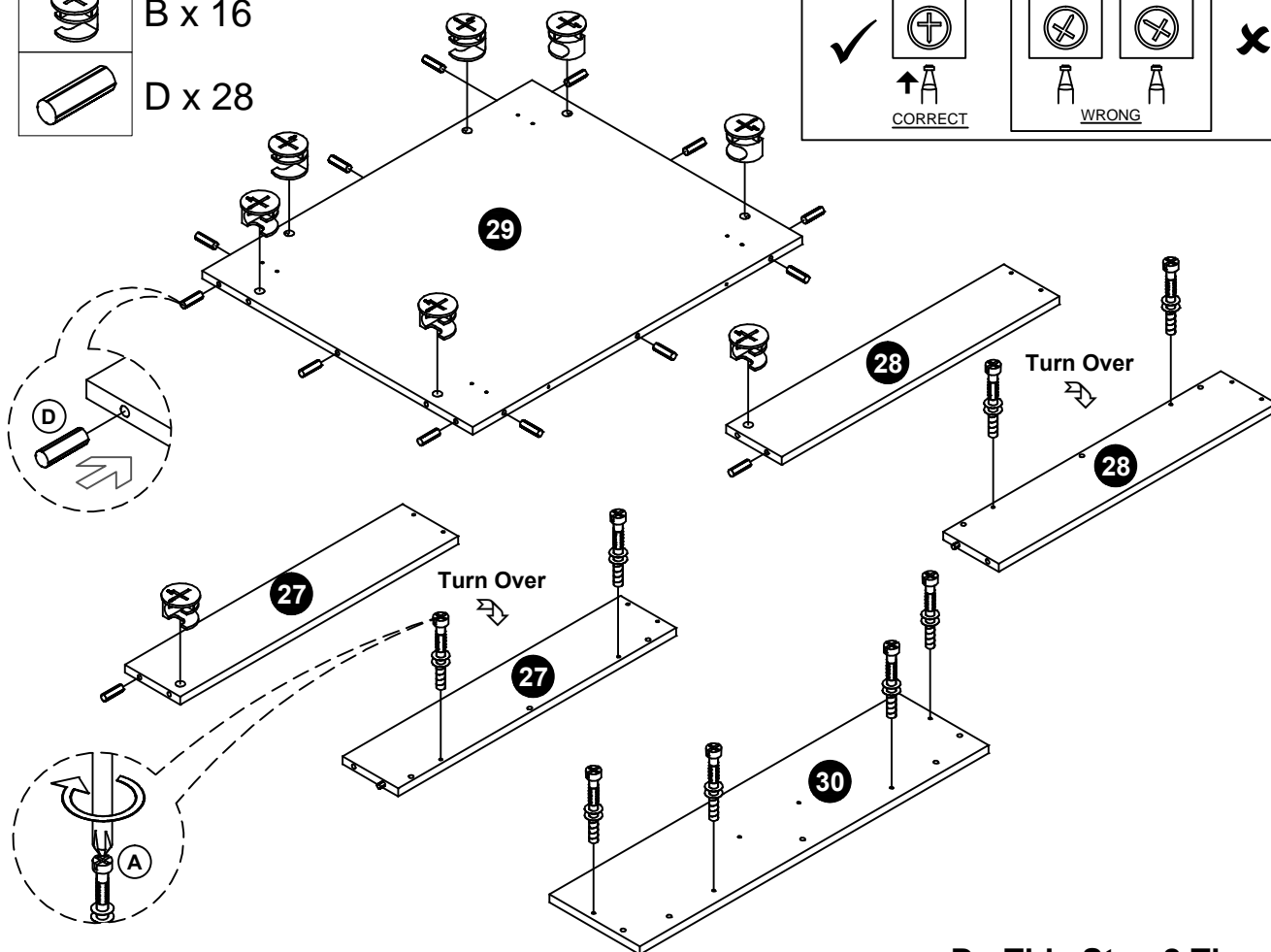
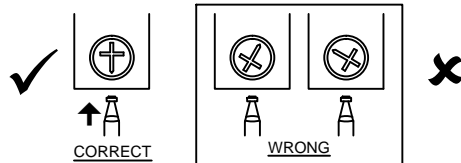
B x 16



D x 28

WHEN FITTING CAMS

ENSURE STARTING POSITION IS CORRECT
BEFORE YOU INSERT CONNECTING BOLT
TURN CLOCKWISE UNTIL SECURE



Do This Step 2 Times

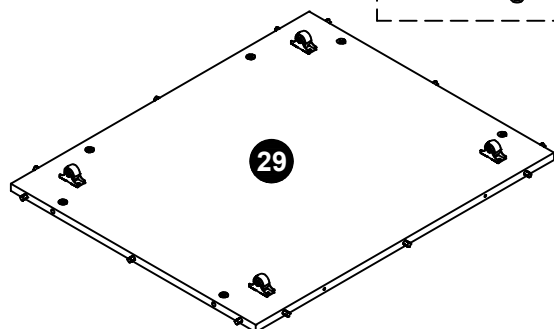
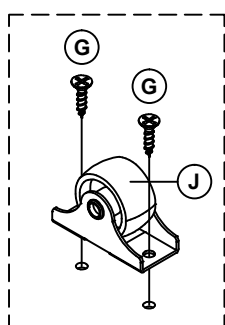
37 G x 16



G x 16



J x 8

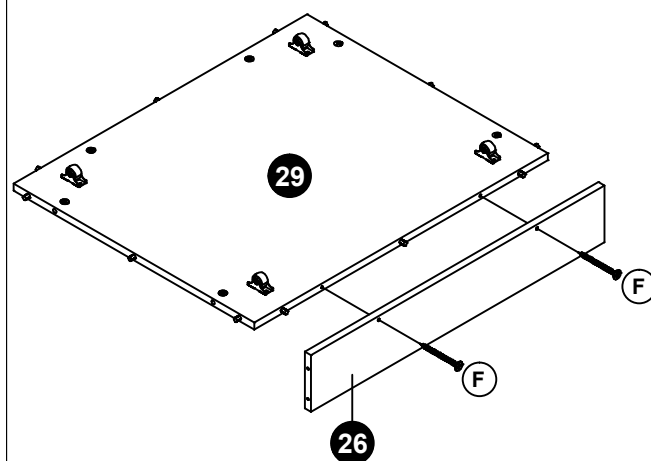


Do This Step 2 Times

38 F x 4



F x 4



Do This Step 2 Times

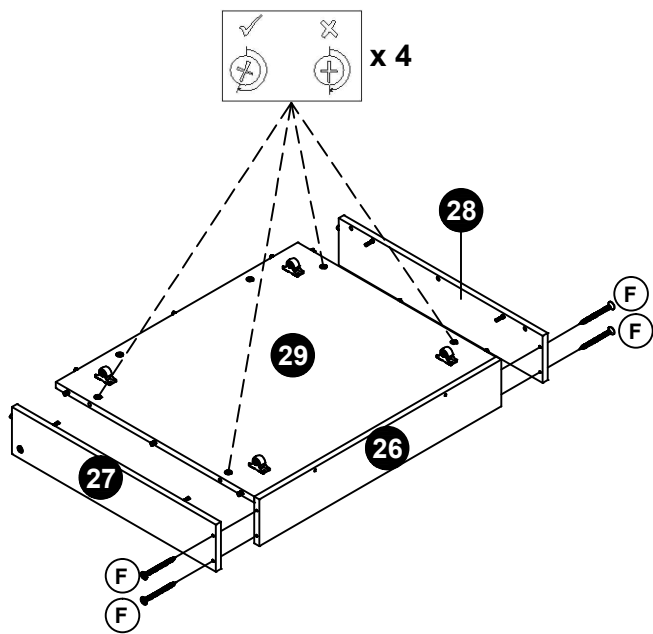
Guide To Assembly

Model : MG 7775

39

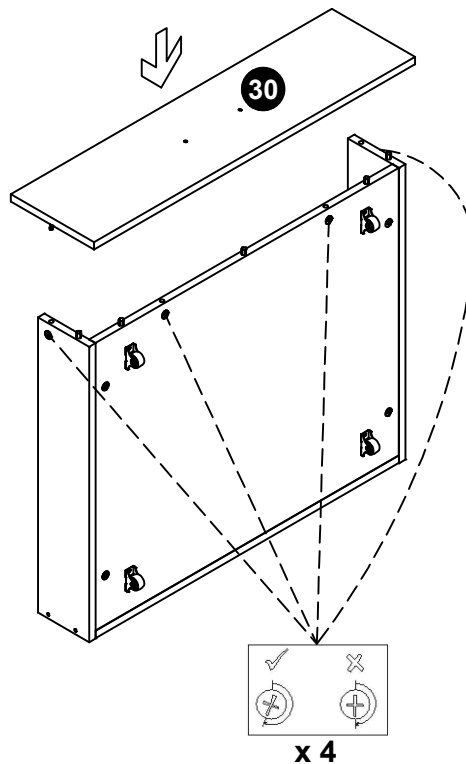


F x 8



Do This Step 2 Times

40



Do This Step 2 Times

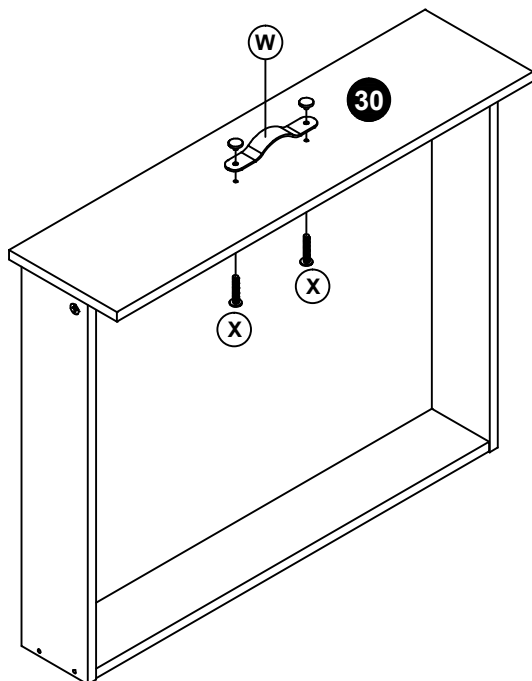
41



W x 2

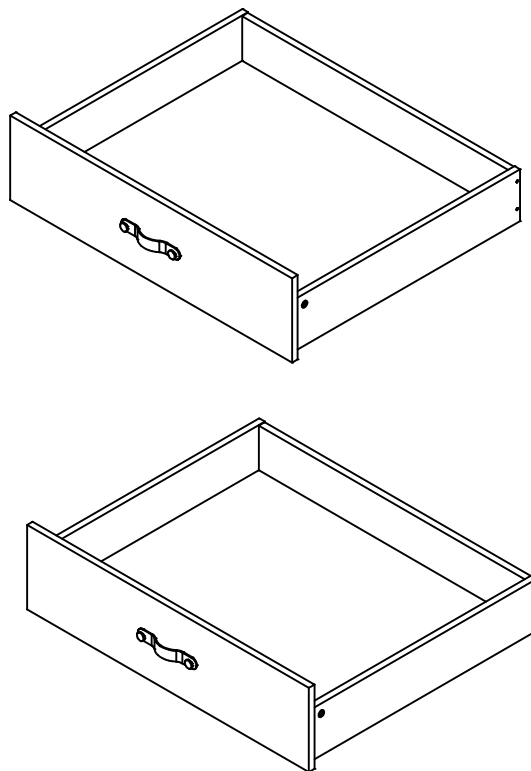


X x 4



Do This Step 2 Times

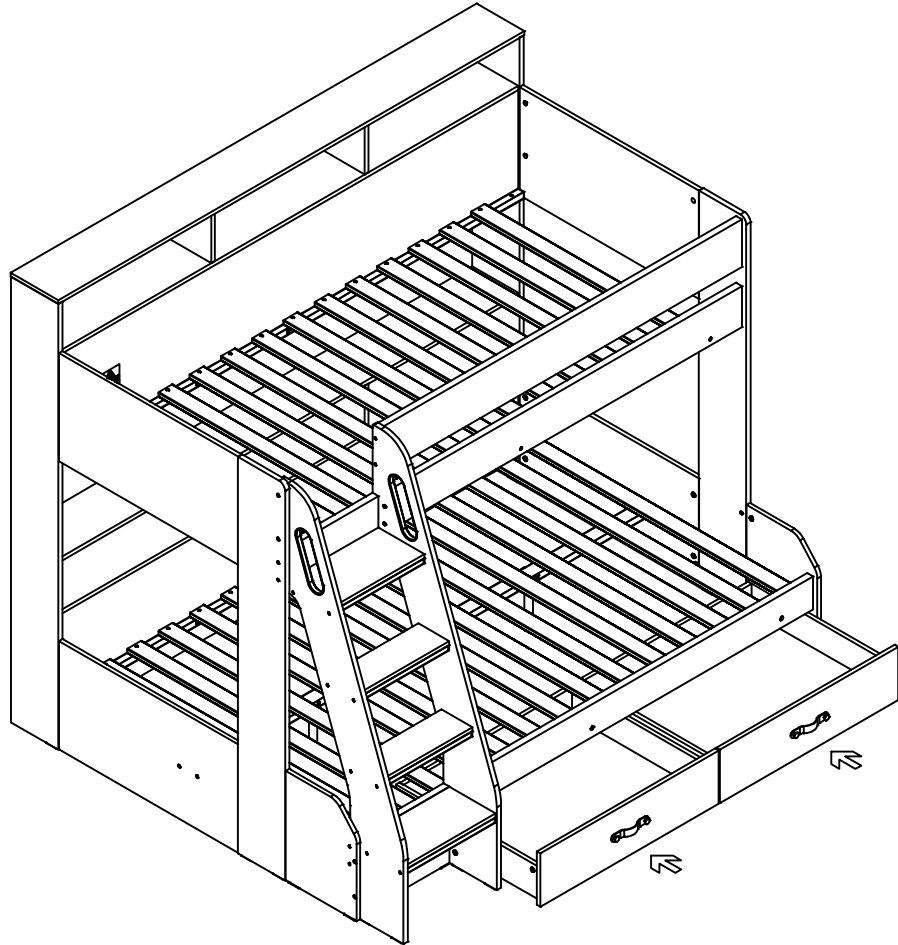
42



Guide To Assembly

Model : MG 7775

43



44

