

**cuckooland**<sup>TM</sup>.com  
LIVE IN THE WOW

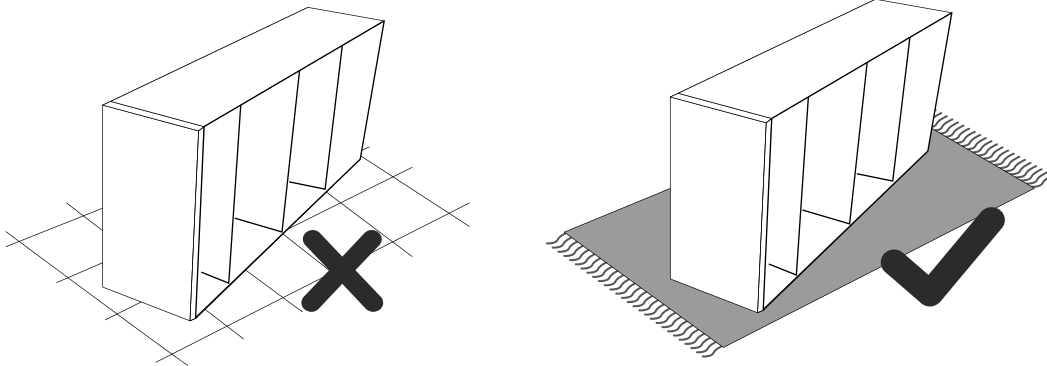
**AVIARY  
BUNK BED**  
Assembly Instructions

## **IMPORTANT: Please Read Carefully and Retain for Future Reference**

- High beds and the upper bed of a bunk bed is not suitable for children under six years due to the risk of injury from falling.
- High beds and Bunk beds can present a serious risk of injury from strangulation if not used correctly. Never attach or hang items to any part of the bunk bed that are not designed to be used with the bed, for example but not limited to: ropes, strings, cords, hooks, belts and bags.
- Children can become trapped between the bed and the wall, a roof pitch, the ceiling, adjoining pieces of furniture and the like. To avoid risk of serious injury the distance between the top safety barrier and any adjoining structure should not exceed 75mm or be more than 230mm.
- Do not use the bed if any structural part is broken or missing.
- Always use the tools indicated on the assembly leaflet and follow the manufacturer's instructions.
- Please regularly check that all assembly fastenings are properly tightened.
- The recommended size of the mattress (es) is 190 x 90cm.
- Please pay attention to the maximum mattress thickness which is 16cm for high beds and upper bunks but may be less for trundle drawers.
- The use of water or sleep flotation mattresses is prohibited.
- Ventilation of the room is necessary to keep the humidity low and to prevent mould in and around the bed.
- Do not place the bed near a heat source such as electrical heating, gas heating etc. to avoid any fire hazard.
- Never clean your bed with abrasive cleaners or strong detergents. Clean ONLY by wiping with a damp cloth and drying with a soft cloth.
- Conforms to the European Standard EN 747-1:2012 + A1:2015

## **Advice and Tips:**

- Before you start, please read instructions carefully and retain for future use.
- Please dispose of packing materials carefully and respectfully. Keep plastic bags away from small children. Ensure small children are kept clear during assembly as this pack contains small parts.
- Build the item on a protected surface and avoid contact with hard flooring to limit damages which may occur during installation.

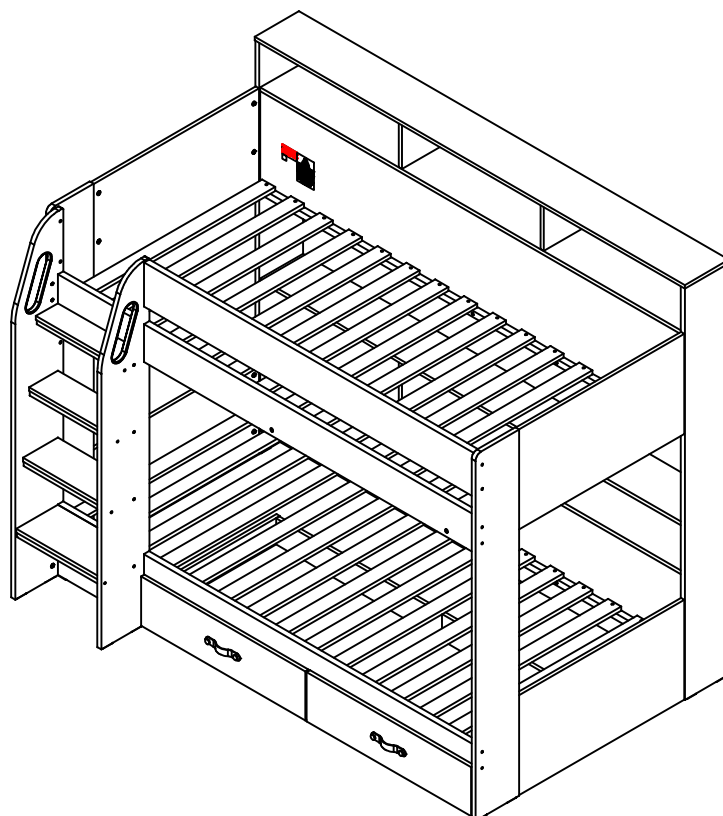
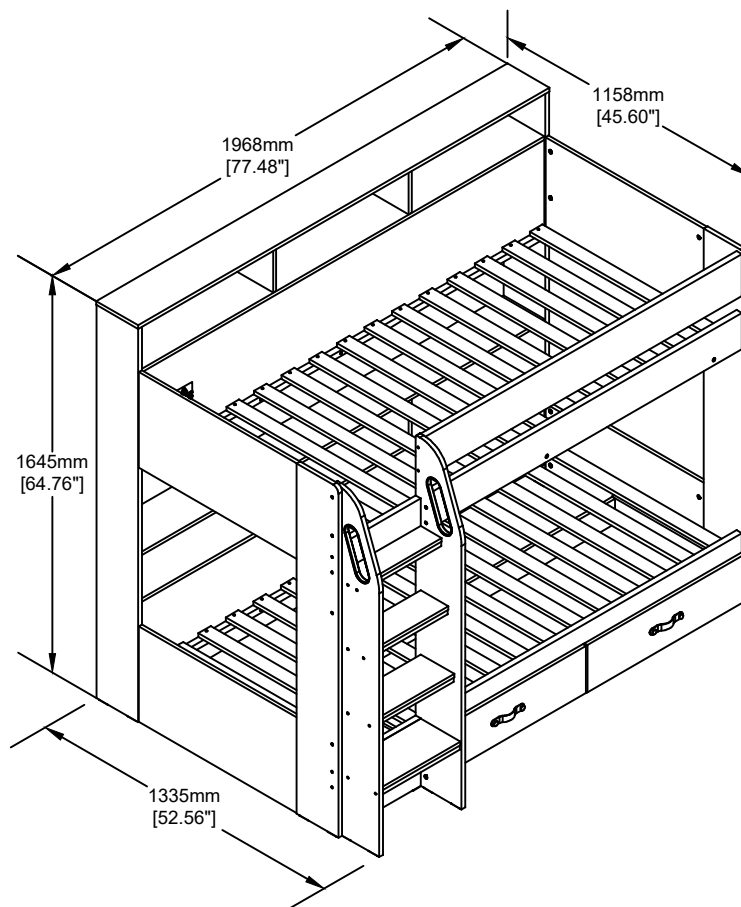


- Bouncing on or using this bed in a manner other than its intended purpose could damage the frame or cause serious injury to your child.
- Use of a night light may provide added safety precaution for a child using the upper bunk.
- If it is necessary to move the bed once installed, we advise that you avoid pushing the bed into place as this may weaken the bed and result in damage and breakages. The bed should be carefully lifted by 2 or more strong people into its final position.

# Model : AVIARY BUNK BED

Product Size : 920mm x 1930mm (Base Int Size)

Thank you for purchasing this product. Before starting assembly we suggest you spend a short time reading through this leaflet, then follow the simple step by step guide. Two people are needed to assemble this product.



# Model : AVIARY BUNK BED

## Product Size : 920mm x 1930mm (Base Int Size)

### TOP TIPS BEFORE YOU START !

1. Please check that all parts & hardware are present before you start the assembly of your furniture.
2. For ease and speed of assembly, we recommend that before you commence each step of the assembly, Please identify all the parts required for that step.
3. We recommend that where possible, all items are assembled near to the area in which they will be placed in use, to avoid moving the product unnecessarily once assembled.
4. For the protection of your furniture, particularly items of high gloss finish, we recommend that the product is placed on a Protected surface during assembly to prevent any damage.
5. During assembly please take care not to over-tighten any fittings, as this may damage the product.

### IMPORTANT - READ CAREFULLY - RETAIN FOR FUTURE REFERENCE

### CARE AND MAINTENANCE OF YOUR FURNITURE

- Please periodically check all fittings and re-tighten as necessary.
- To clean your item, please use a damp cloth and wipe clean.
- Never allow any kind of liquid to remain on your furniture. Absorption can cause wood to warp or finishes to de-laminate.
- Please do not place hot items (e.g hot drinks) directly on the wood surface.
- Please do not drag or pull your furniture.

### IMPORTANT INFORMATION

1. Thickness of mattress should not exceed 186mm.
2. Children should be discouraged from playing on top of this bunk bed.
3. The bunk bed should be checked periodically by the owner to ensure that the guardrail, ladder, and other components are maintained in the correct position and state of repair and that all connectors are tight.
4. A bunk bed is not to be placed near a ceiling fan unless the distance between the closest points on the ceiling fan bunk Bed is at least 2 metres.
5. Use guardrails on both sides of upper bunk.
6. Prohibit horseplay on or under bed(s).
7. Prohibit more than one person on upper bunk.
8. Use Ladder for entering and leaving upper bunk.
9. If the bunk bed will be placed next to the wall, the guardrail that runs the full length of the bed should be placed against The wall to prevent entrapment between the bed and the wall.
10. **WARNING** Do not use the bunk bed/high bed if any structural part is broken or missing.
11. Ventilation of the room is necessary in order to keep the humidity low and to prevent mould in and around the bed.
12. **WARNING** "high beds & the upper bed of bunk beds are not suitable for children under six years due to risk of injury from falls";
13. **WARNING** "children can become trapped between the bed & the wall, a roof pitch, the ceiling, adjoining pieces of furniture (e.g.cupboard) and the like. To avoid risk of serious injury the distance between the top safety barrier and the adjoining structure shall not exceed 75mm nor shall be more than 230mm"
14. always follow the manufacturer's instruction;
15. Recommended Mattress Size : 90cm x 190cm (UK Single) with Maximum Depth of 18.6cm
16. This item conforms to European Safety Standards - BS EN 747-1 : 2012 + A1 : 2015 & BS EN 747-2 : 2012 + A1 : 2015
17. **WARNING** "Bunk beds and high beds can present a serious risk of injury from strangulation if not used correctly. Never attach or hang items to any part of the bunk bed that are not designed to be used with the bed, for example, but not limited to ropes, strings, cords, hooks, belts and bags"
18. High beds and the upper bed of bunk beds is suitable for a maximum mattress thickness of 184mm. The top of mattress must not come above the line marked on the bed.

### STRANGULATION HAZARD:

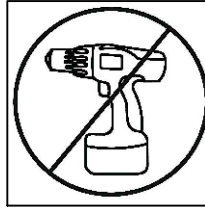
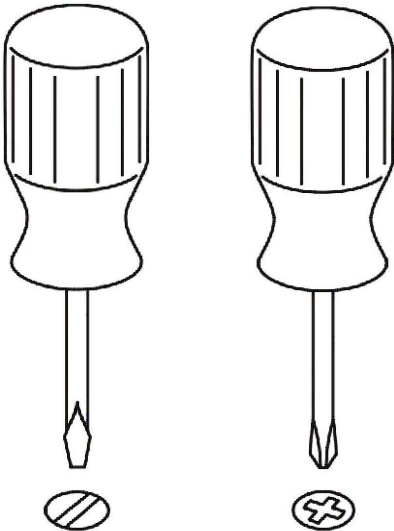
19. Never attach or hang items to any part of the bunk bed that are not designed for use with the bed for example, but not limited to hook, belt and jump ropes.

# Guide To Assembly

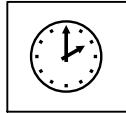
## Model : AVIARY BUNK BED

### Tools Required For Assembly

Phillips Screw Driver



DO NOT USE POWER TOOLS TO ASSEMBLE THIS PRODUCT. USE OF POWER TOOLS WILL INVALIDATE ANY CLAIM AND MAY DAMAGE THIS PRODUCT MAKING IT UNSAFE.

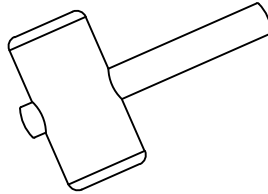


Approximately 3 hour

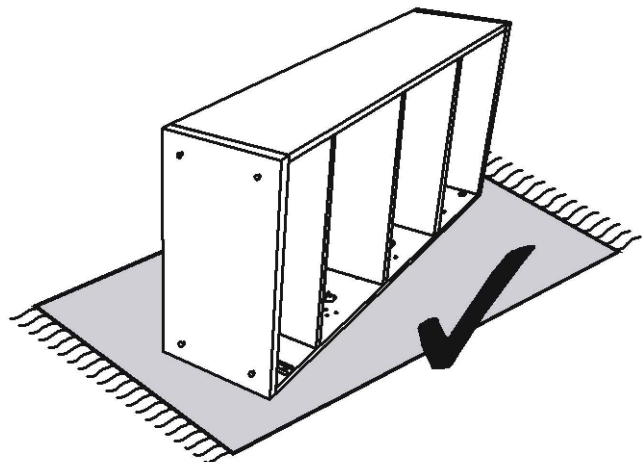
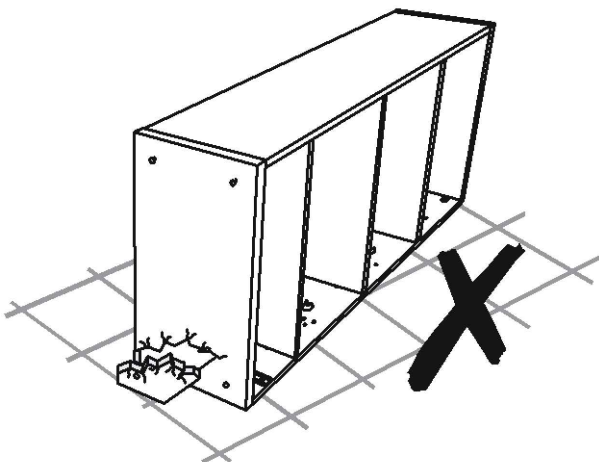
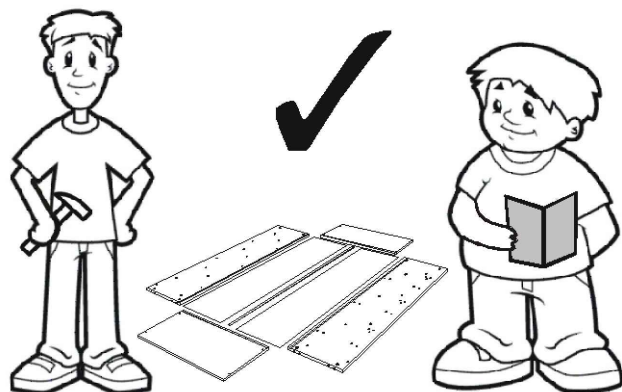
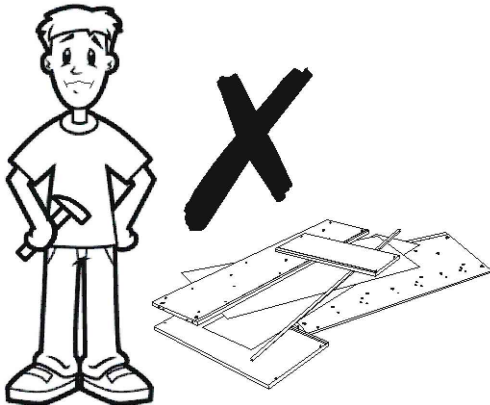
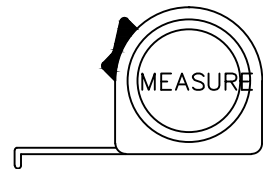


2 People Required

Rubber Hammer



Tape Measure



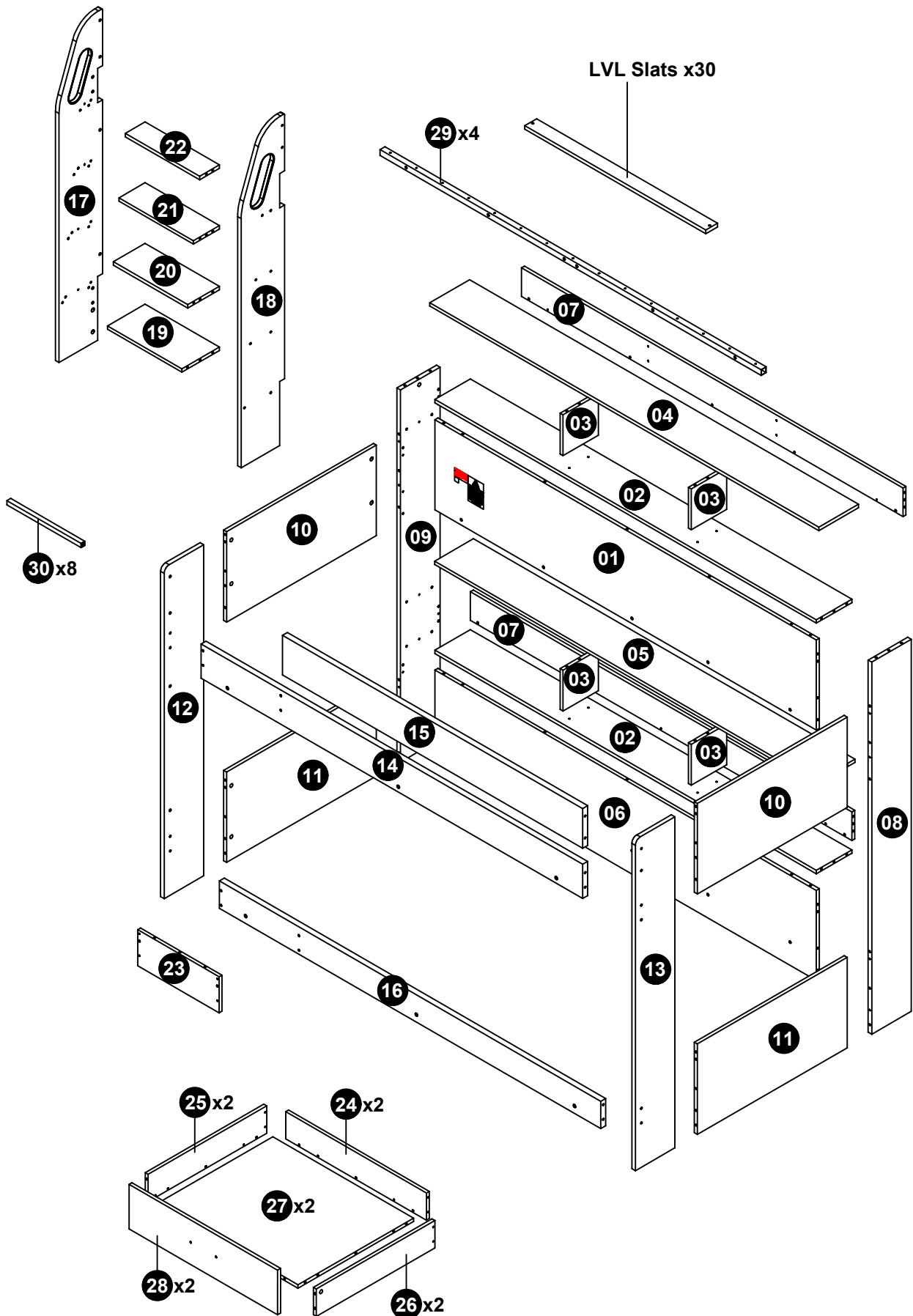
# Part List

## Model : AVIARY BUNK BED

Carton 1 of 4			Carton 4 of 4		
No.	Part Name	Pcs	No.	Part Name	Pcs
01	Back Side Panel (Upper)	1	24	Back Panel (Drawer)	2
06	Back Side Panel (Bottom)	1	25	Left Panel (Drawer)	2
14	Front Side Panel (Upper)	1	26	Right Panel (Drawer)	2
15	Front Panel (Upper)	1	27	Bottom Panel (Drawer)	2
16	Front Side Panel (Bottom)	1	28	Front Panel (Drawer)	2
29	Metal Side Rail	4		LVL Slats	30
30	Ladder Support Rail	8			
<b>Assembly Instructions + Fitting List</b>					
<b>Carton 2 of 4</b>					
02	Bottom Panel (Shelf)	2			
03	Center Support Panel	4			
04	Top Panel (Upper)	1			
05	Top Panel (Bottom)	1			
07	Back Panel (Shelf)	2			
08	Right Panel (Shelf)	1			
09	Left Panel (Shelf)	1			
<b>Carton 3 of 4</b>					
10	Right & Left End Panel (Upper)	2			
11	Right & Left End Panel (Lower)	2			
12	Left End Panel (Front)	1			
13	Right End Panel (Front)	1			
17	Ladder Left Panel	1			
18	Ladder Right Panel	1			
19	1st Ladder Step	1			
20	2nd Ladder Step	1			
21	3rd Ladder Step	1			
22	4th Ladder Step	1			
23	Support Panel	1			

# Part List

Model : AVIARY BUNK BED





# Fitting List

Model : AVIARY BUNK BED

## Carton 1 of 4

### Fitting List

No.	Part Name		Pcs
A	Cam Stud ( <b>small</b> )		75
B	Cam		75
C	M8 x 25mm <b>Wood</b> Dowel		126
D	45mm Chipboard Screw		22
E	38mm Chipboard Screw		12
F	14mm Chipboard Screw		48
G	128mm Leather Handle		2
H	18mm Handle Screw		4
J	G-390 Small Caster		8
K	M6 x 13mm Baller		20
L	6/8 L Braket		8
M	M6 x 60mm Allen Bolt		8
N	M6 x 50mm Allen Bolt		12
P	M6 x 40mm Allen Bolt		10
Q	M6 x 35mm Allen Bolt		26
R	M6 x 30mm Allen Bolt		64
S	M6 JCN Nut		16
T	Felt Pads (45 x 14mm)		14
U	M6 Allen Wrench		2
V	Round Sticker		28

### Caution

There are many small components used in the construction of this unit. These loose items should be kept away from young children whilst assembling your unit. As an extra precaution, screw cover caps should be permanently fixed in position. (Where applicable)

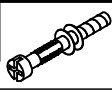

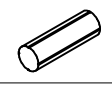
### USEFUL HINTS & TIPS

Two people will be required to assemble this unit

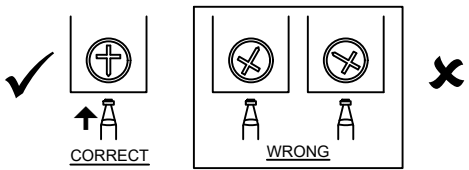
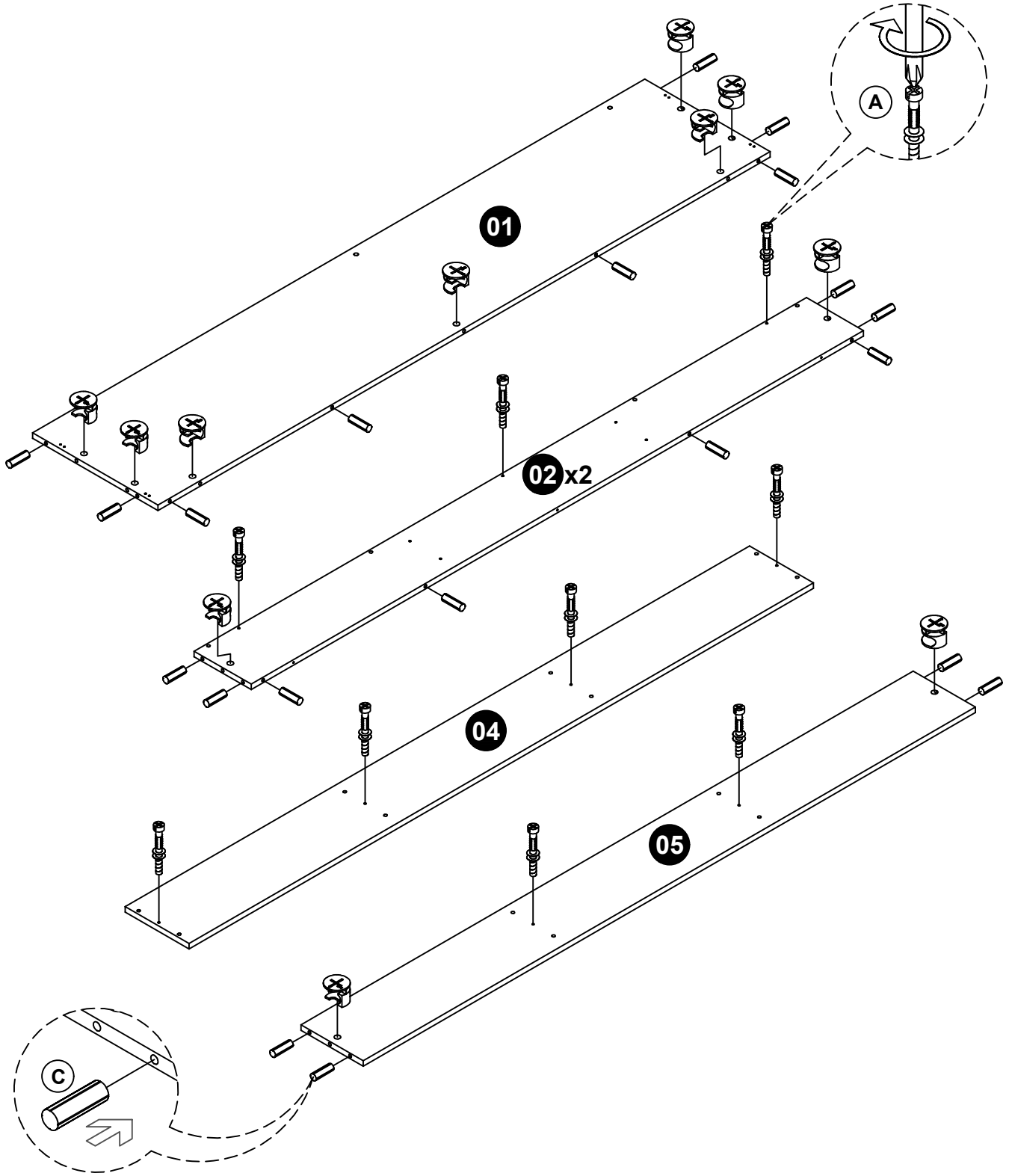
Please keep this assembly instruction for future reference

# Guide To Assembly

## Model : AVIARY BUNK BED

- 1
-  A x 12
  -  B x 13
  -  C x 28

**WHEN FITTING CAMS**  
 ENSURE STARTING POSITION IS CORRECT  
 BEFORE YOU INSERT CONNECTING BOLT  
 TURN CLOCKWISE UNTIL SECURE

# Guide To Assembly

## Model : AVIARY BUNK BED

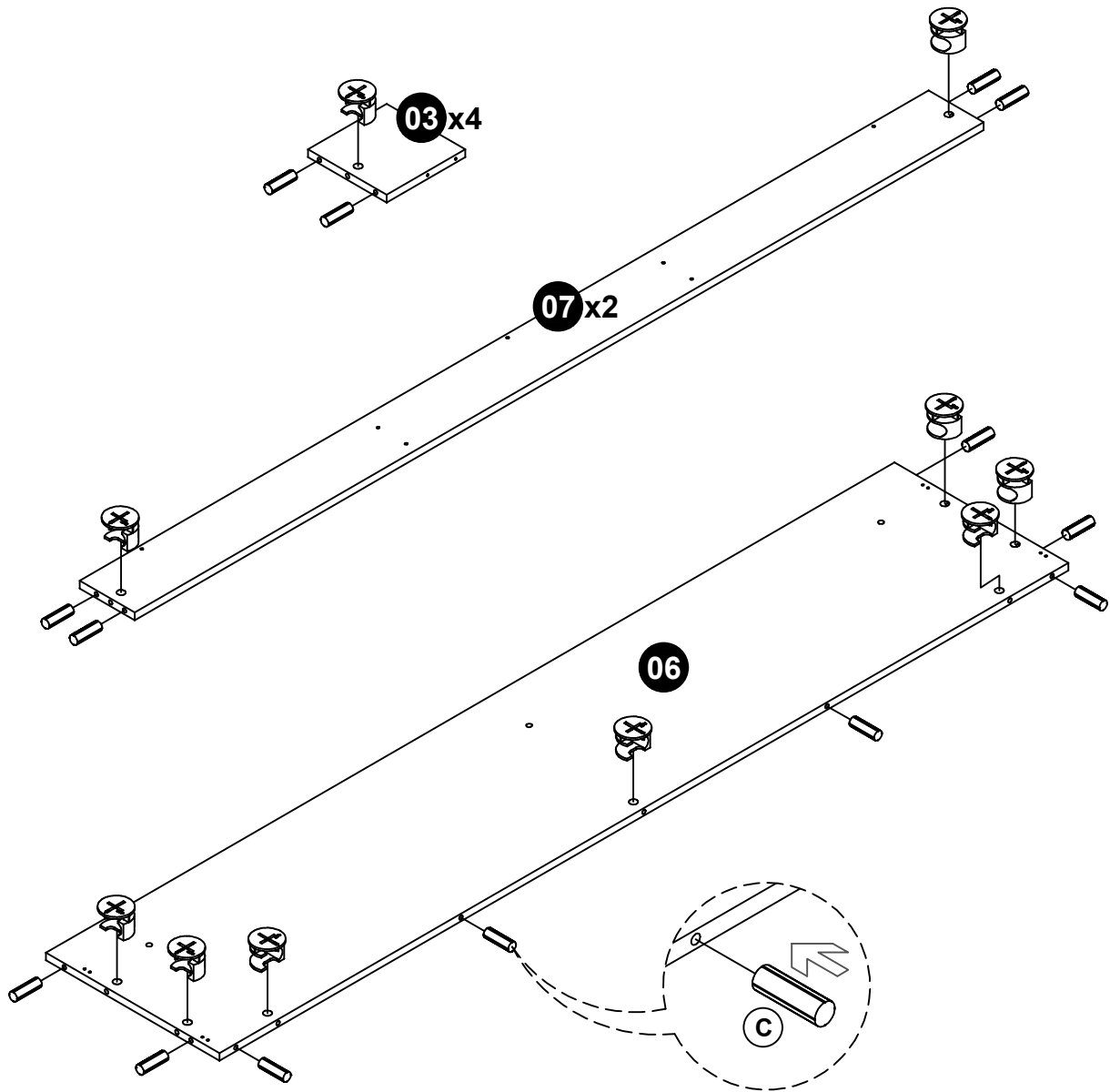
2



B x 15




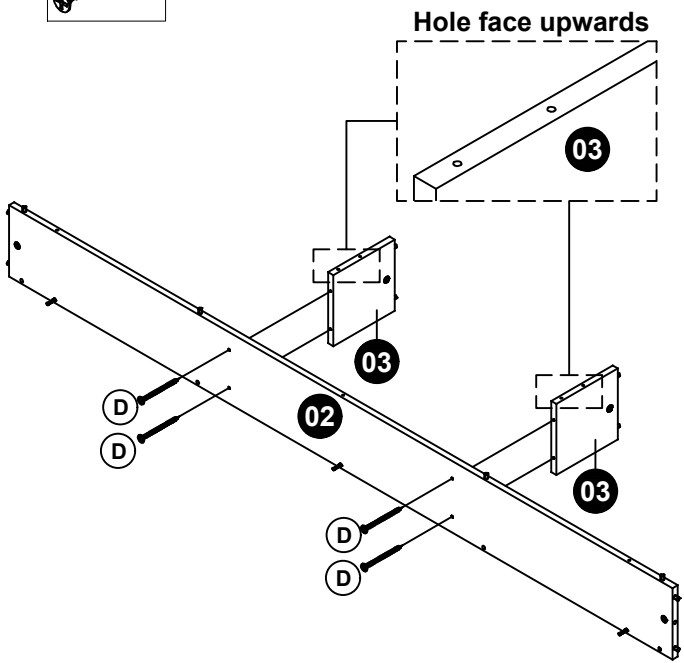
C x 24



# Guide To Assembly

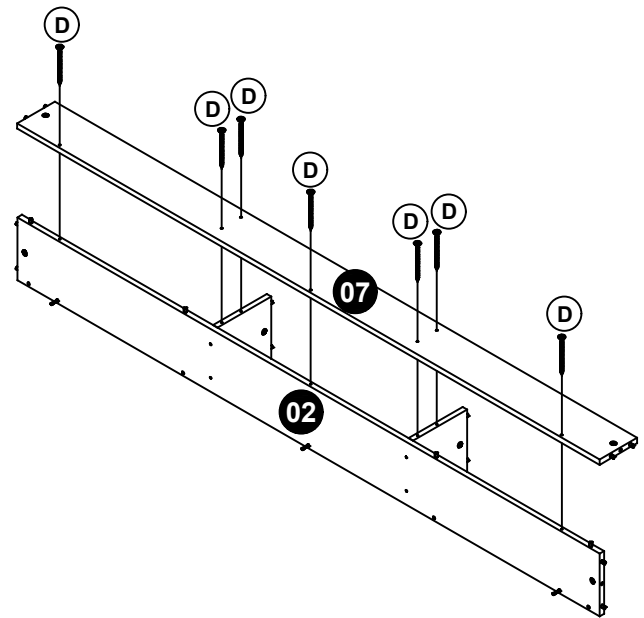
## Model : AVIARY BUNK BED

3  D x 8



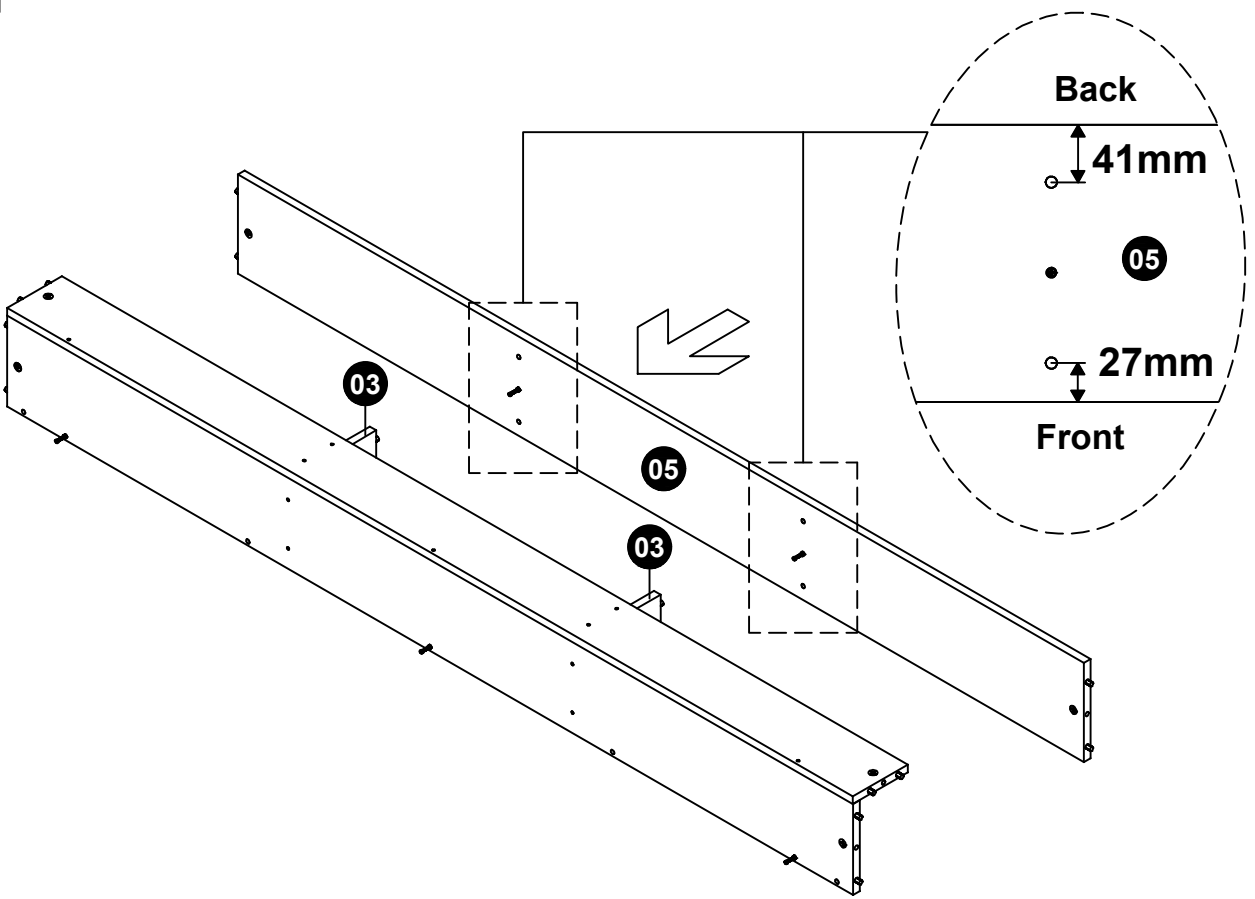
Do This Step 2 Times

4  D x 14



Do This Step 2 Times

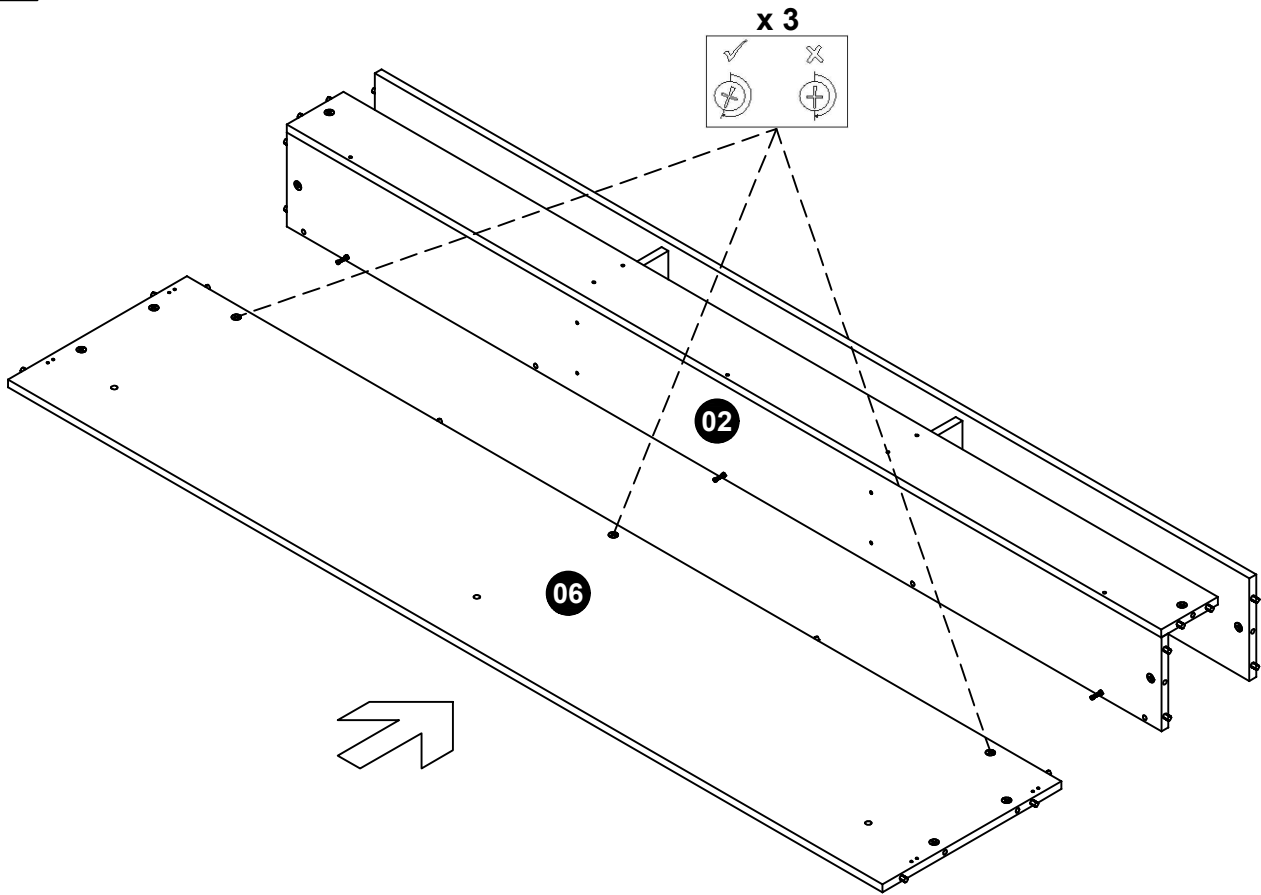
5



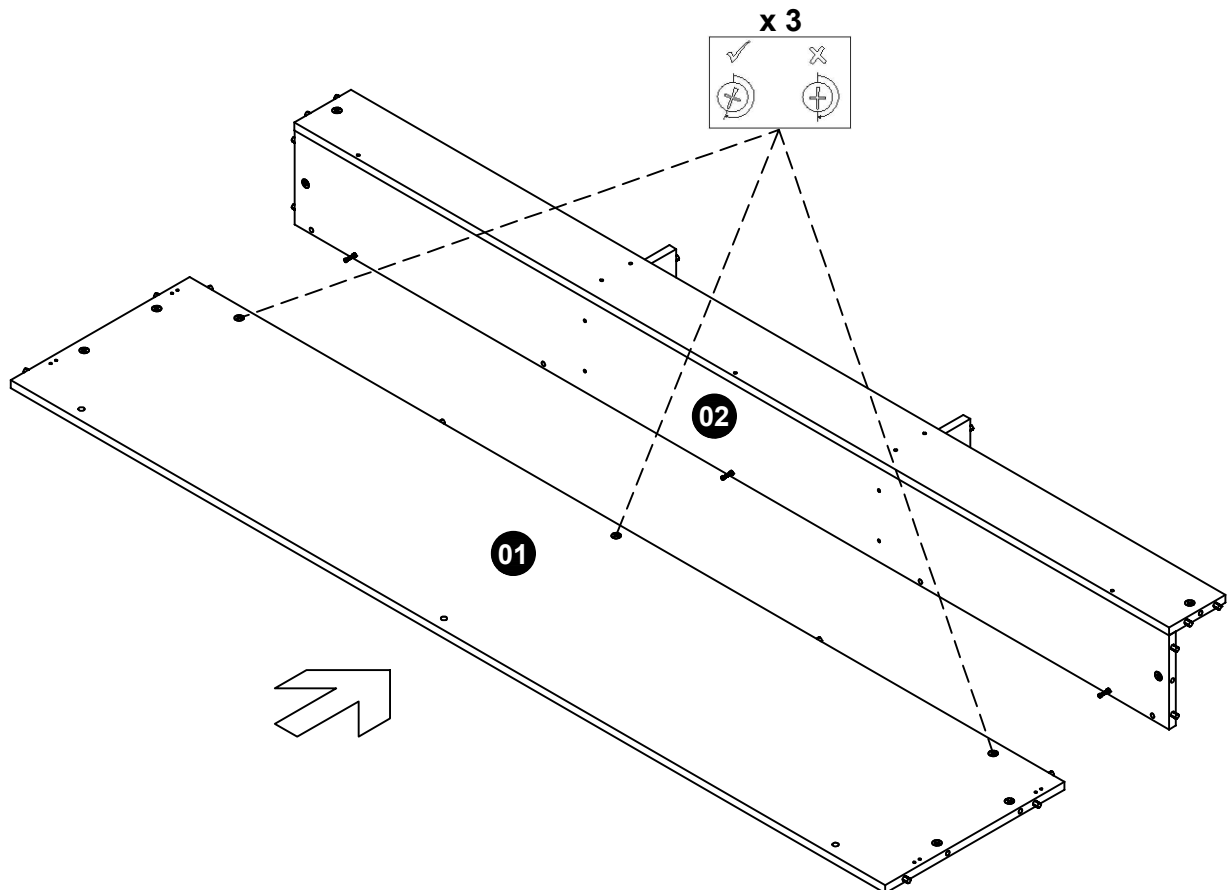
# Guide To Assembly

## Model : AVIARY BUNK BED

6



7



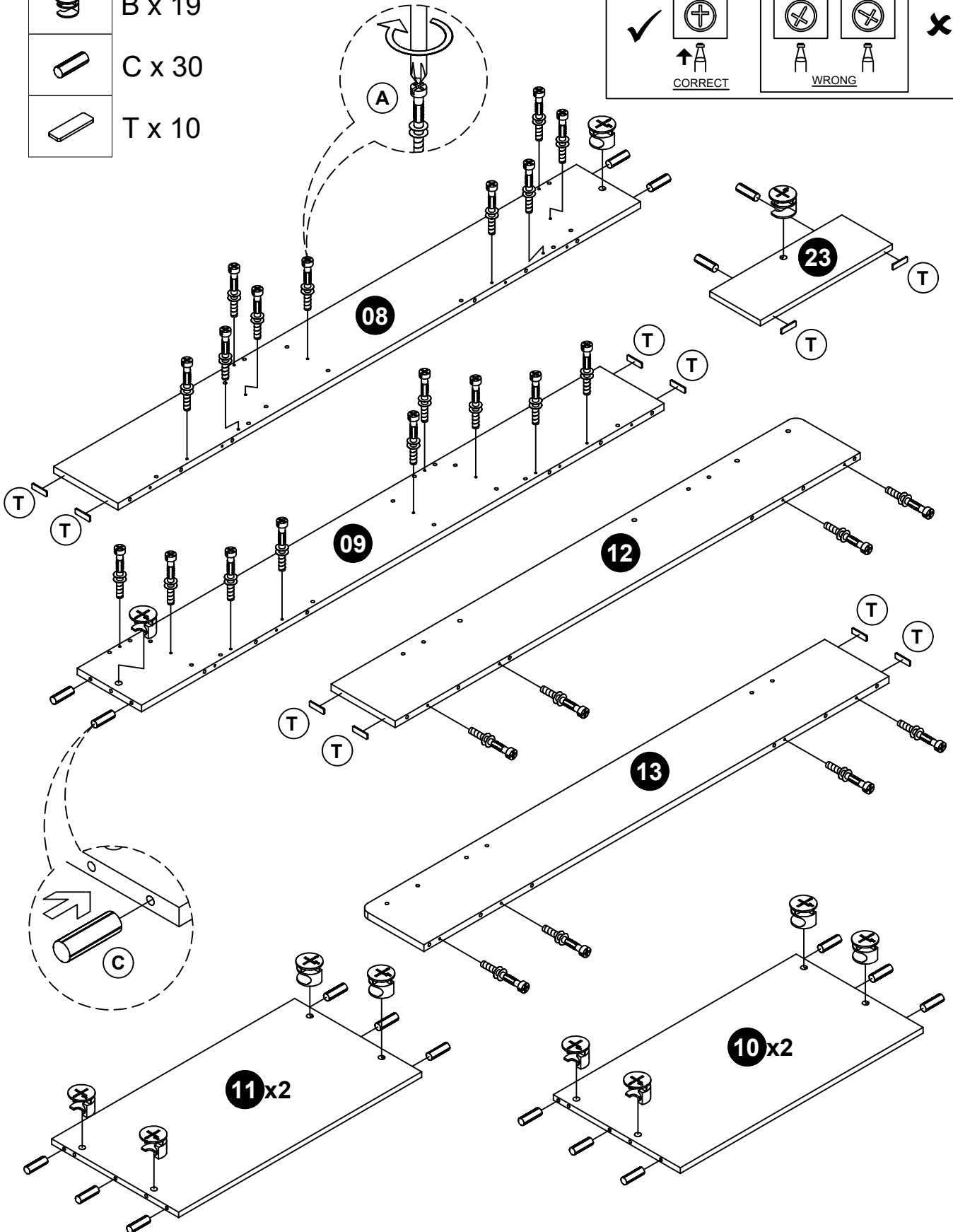
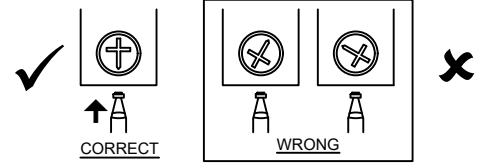
# Guide To Assembly

## Model : AVIARY BUNK BED

- |   |  |        |
|---|--|--------|
| 8 |  | A x 26 |
|   |  | B x 19 |
|   |  | C x 30 |
|   |  | T x 10 |

### WHEN FITTING CAMS

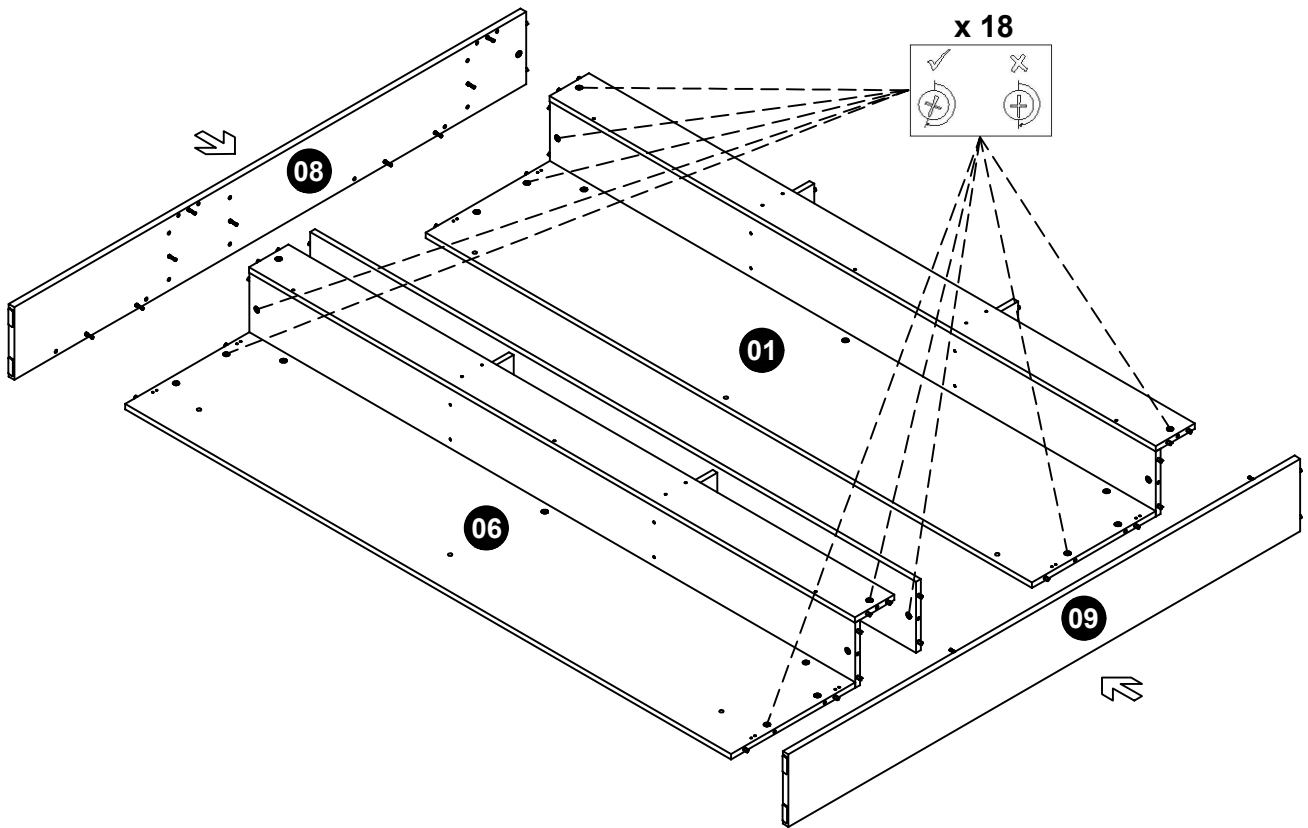
ENSURE STARTING POSITION IS CORRECT  
BEFORE YOU INSERT CONNECTING BOLT  
TURN CLOCKWISE UNTIL SECURE



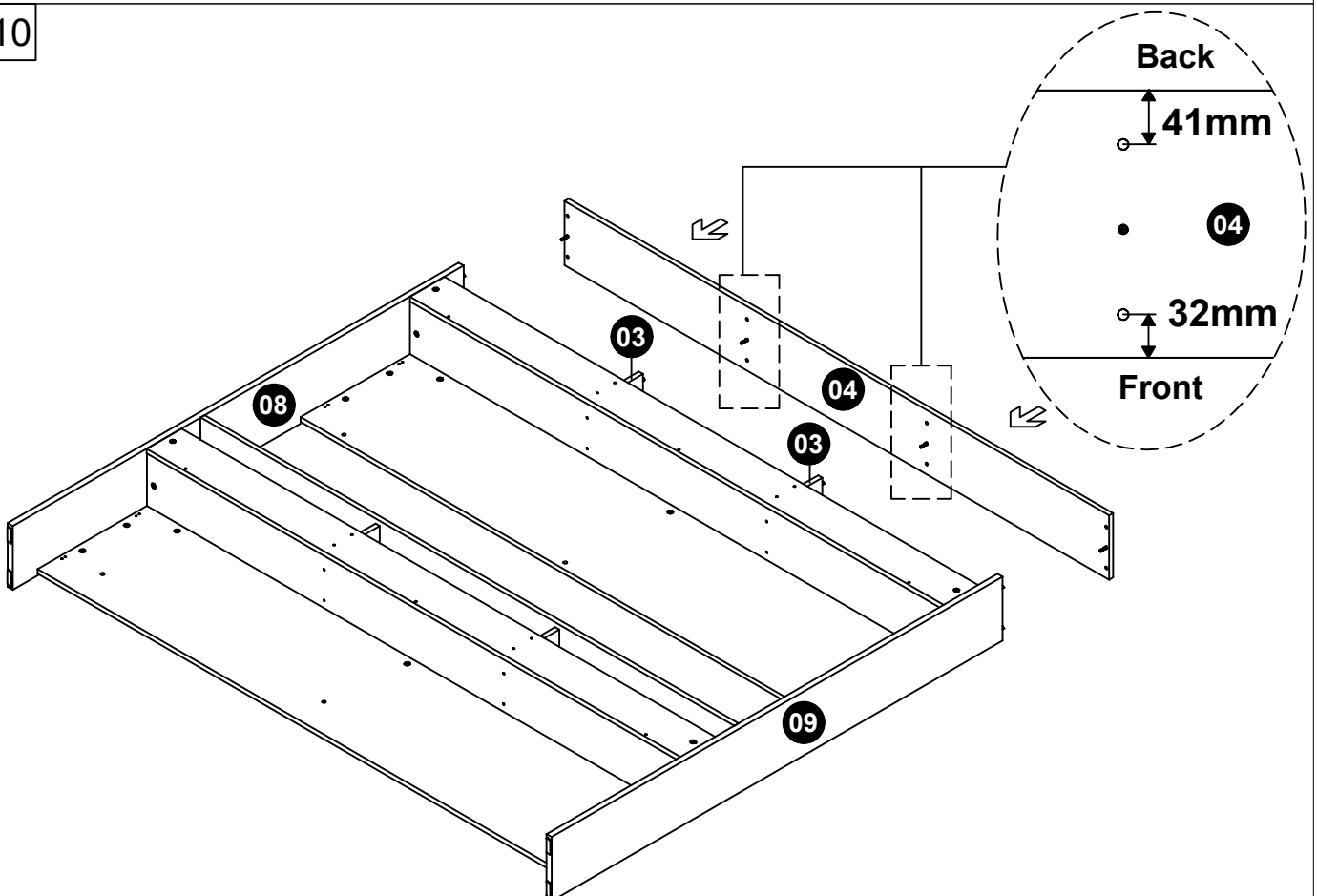
# Guide To Assembly

## Model : AVIARY BUNK BED

9




10

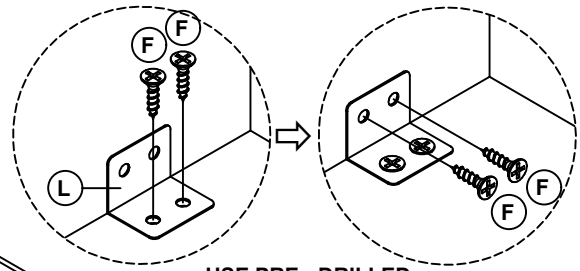


# Guide To Assembly

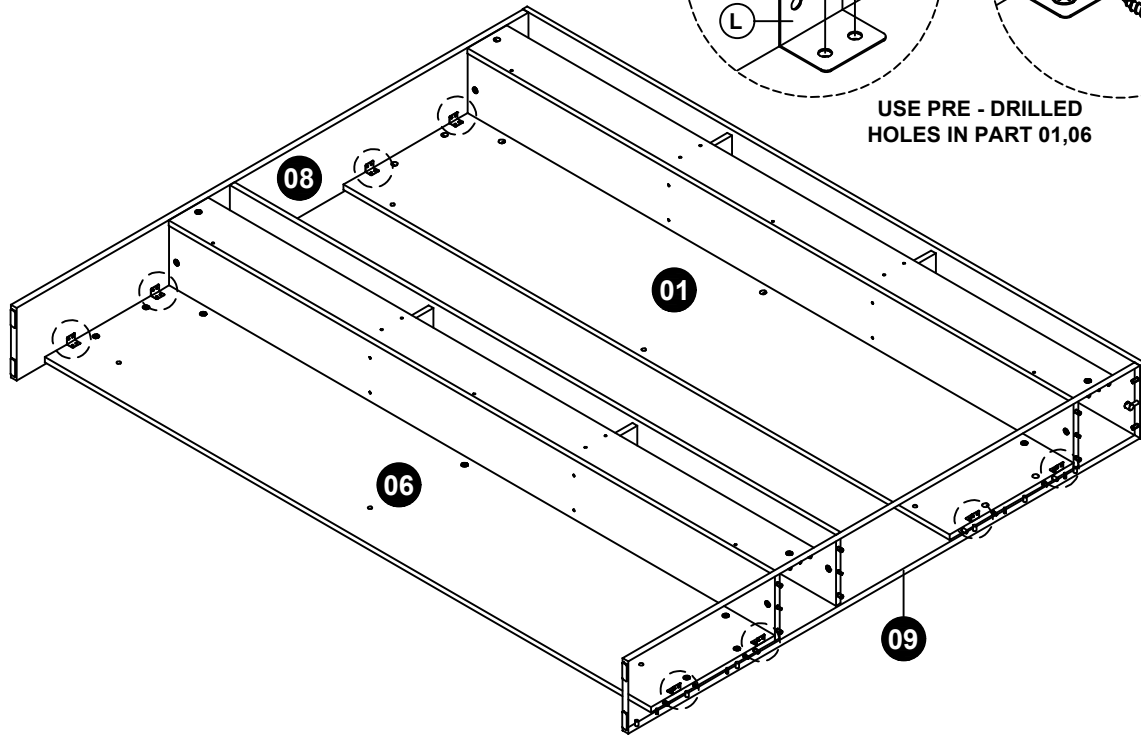
## Model : AVIARY BUNK BED

11  F x 32

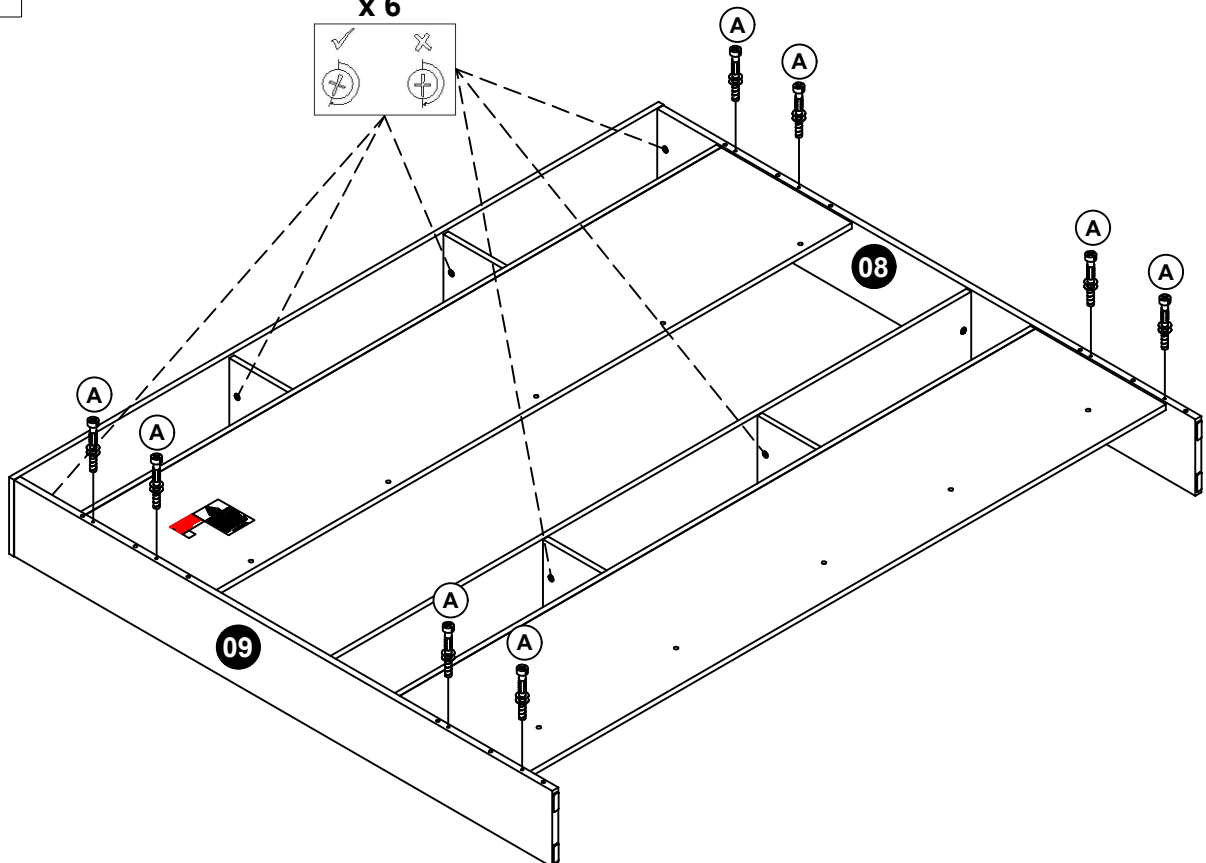
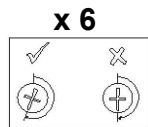
 L x 8



USE PRE - DRILLED HOLES IN PART 01,06



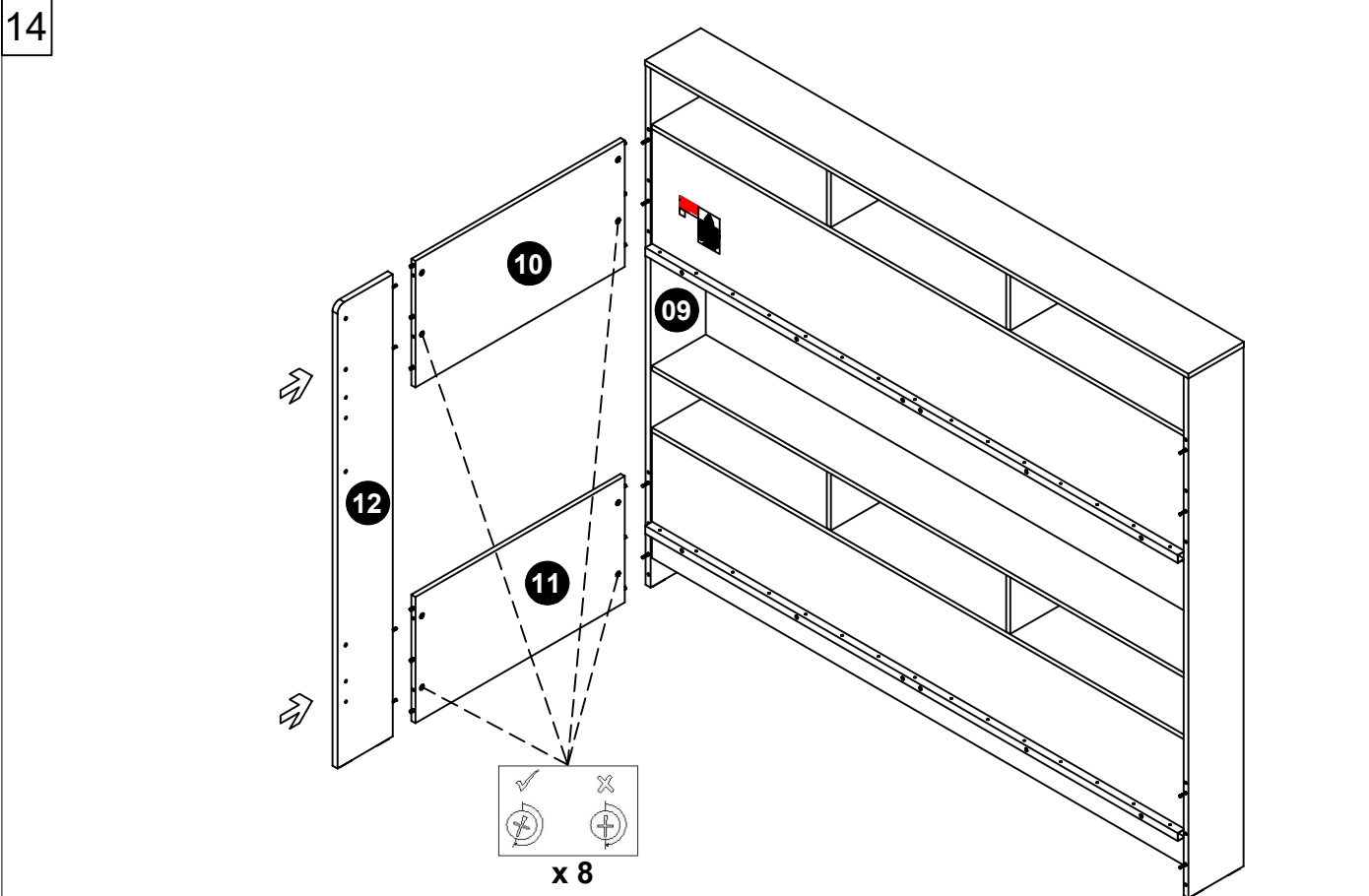
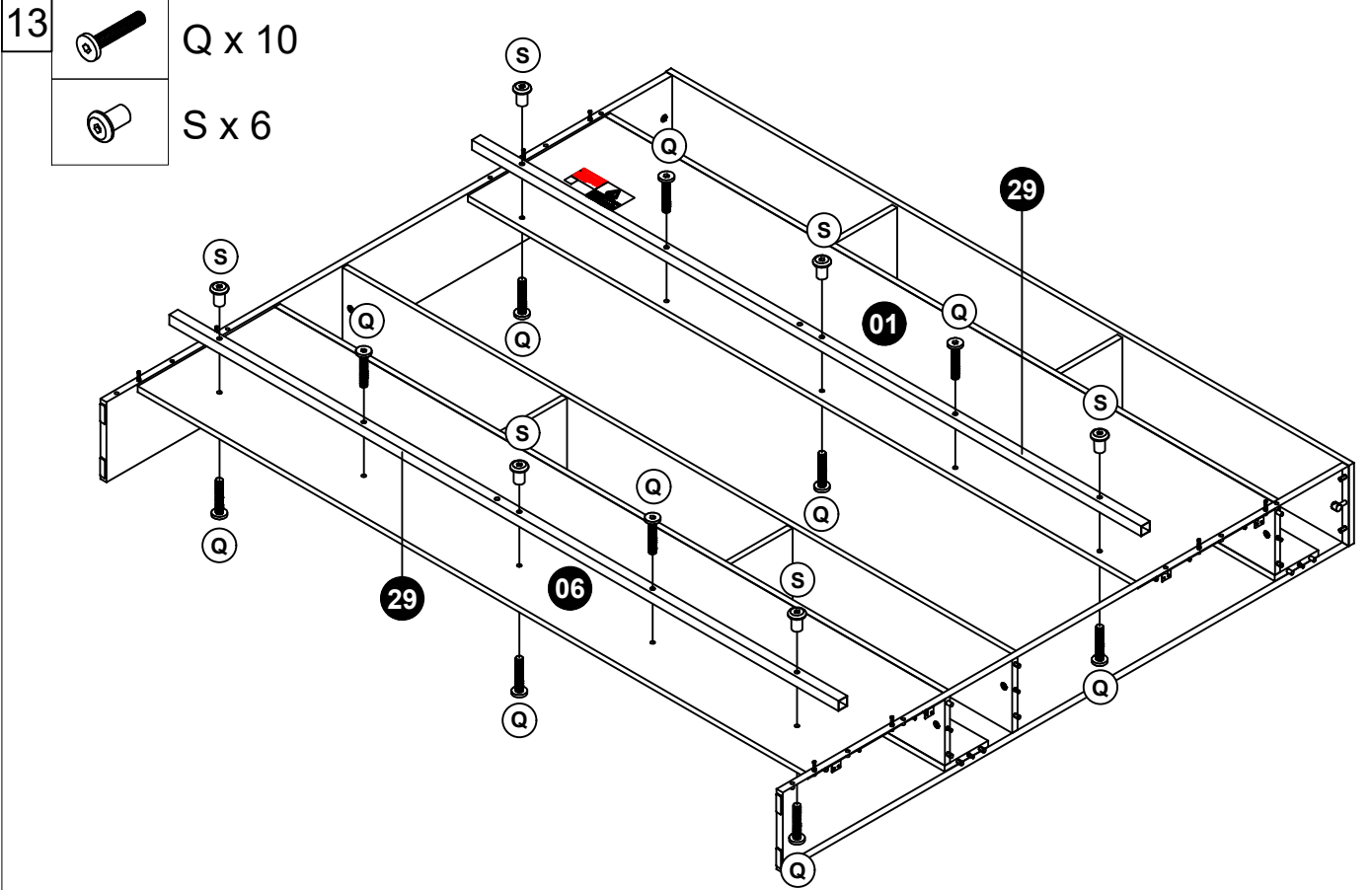
12  A x 8





# Guide To Assembly

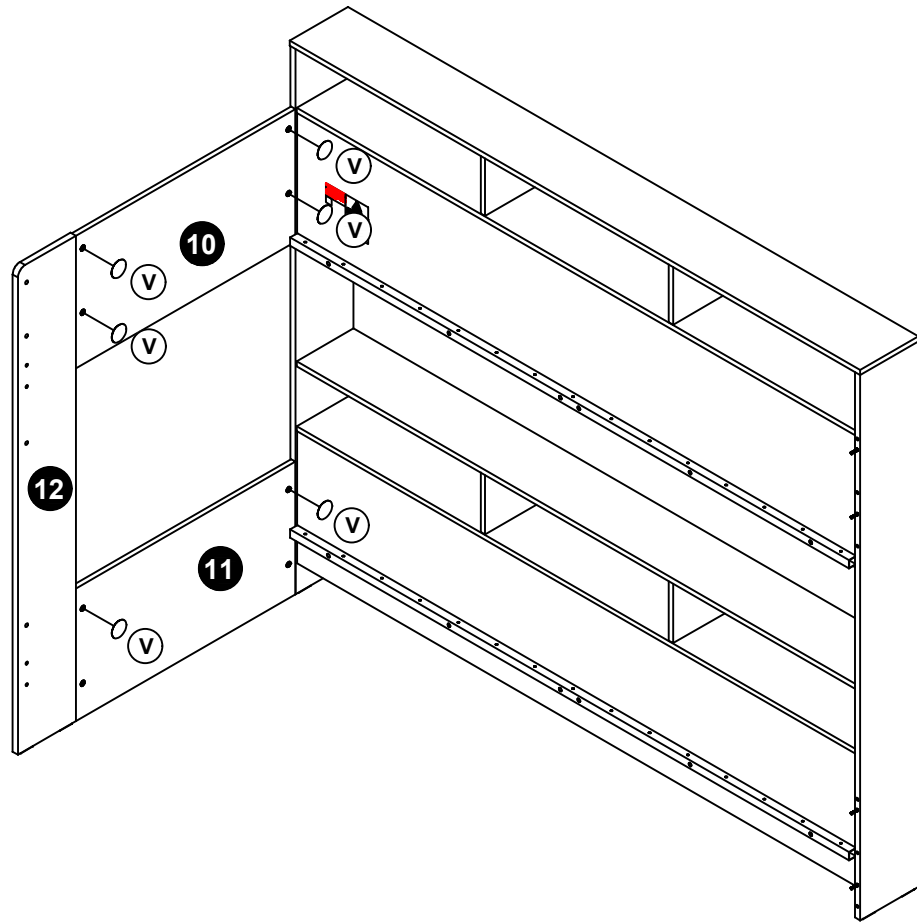
## Model : AVIARY BUNK BED



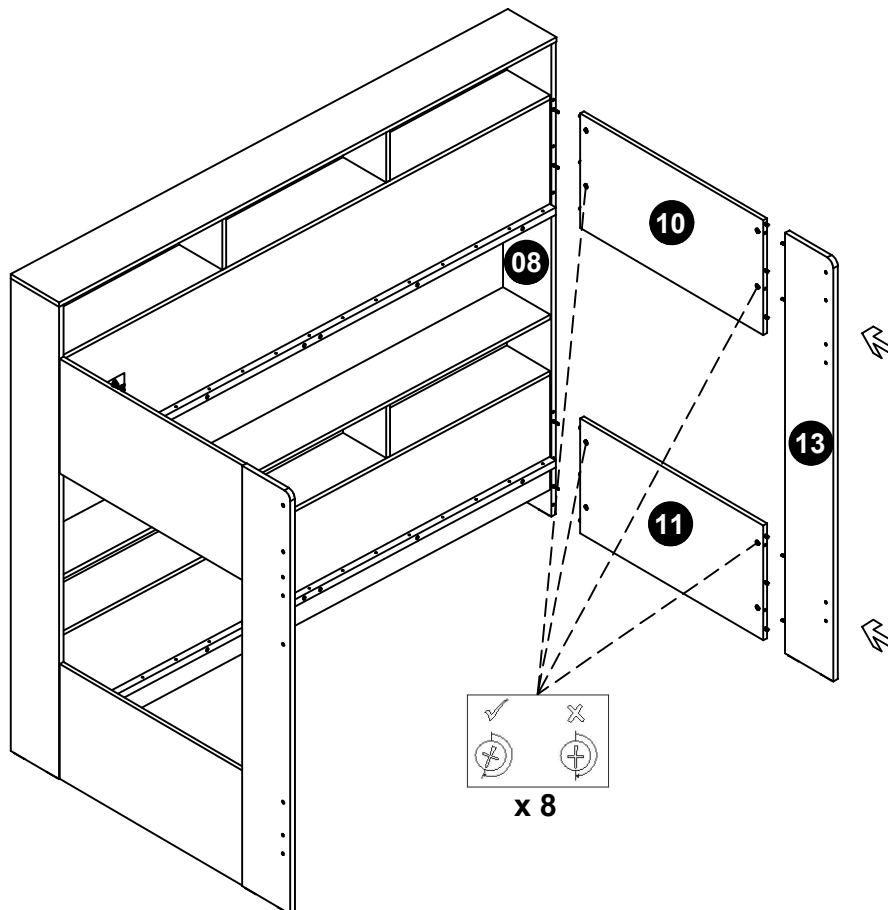
# Guide To Assembly

## Model : AVIARY BUNK BED

15 ○ V x 6



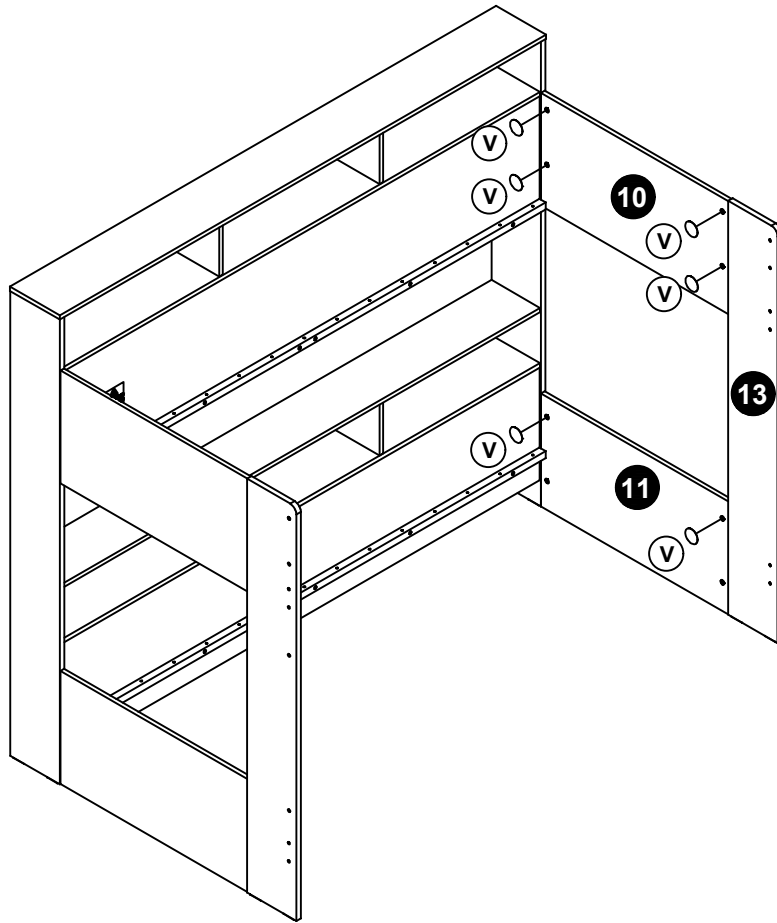
16




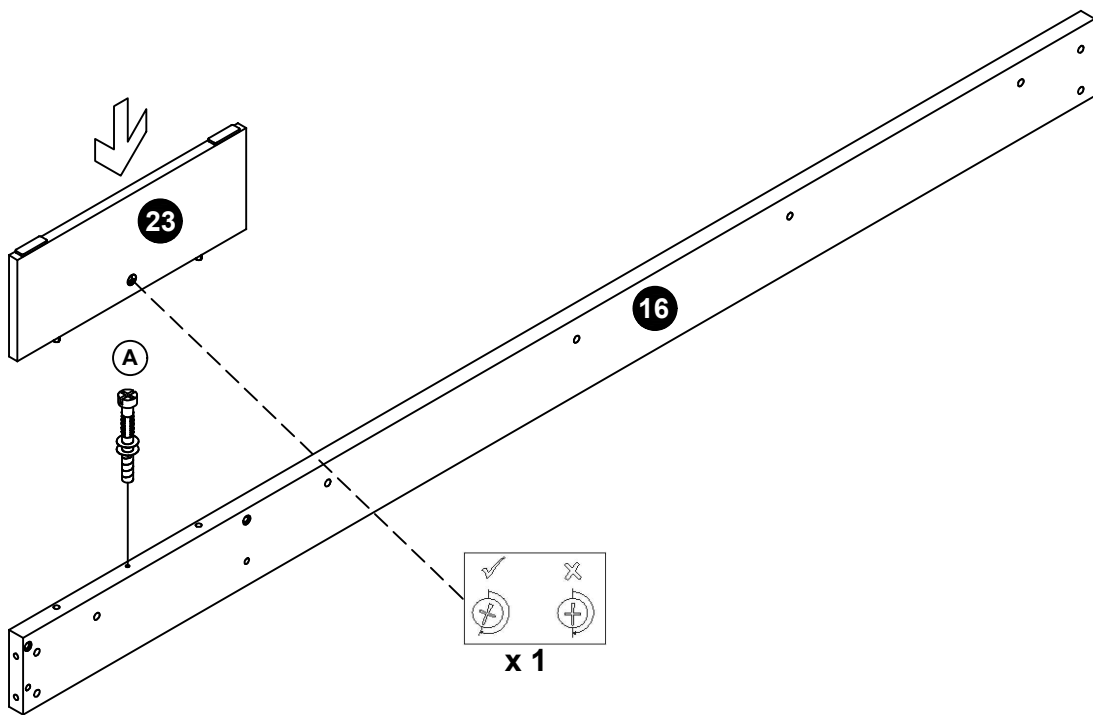
# Guide To Assembly

## Model : AVIARY BUNK BED

17  V x 6





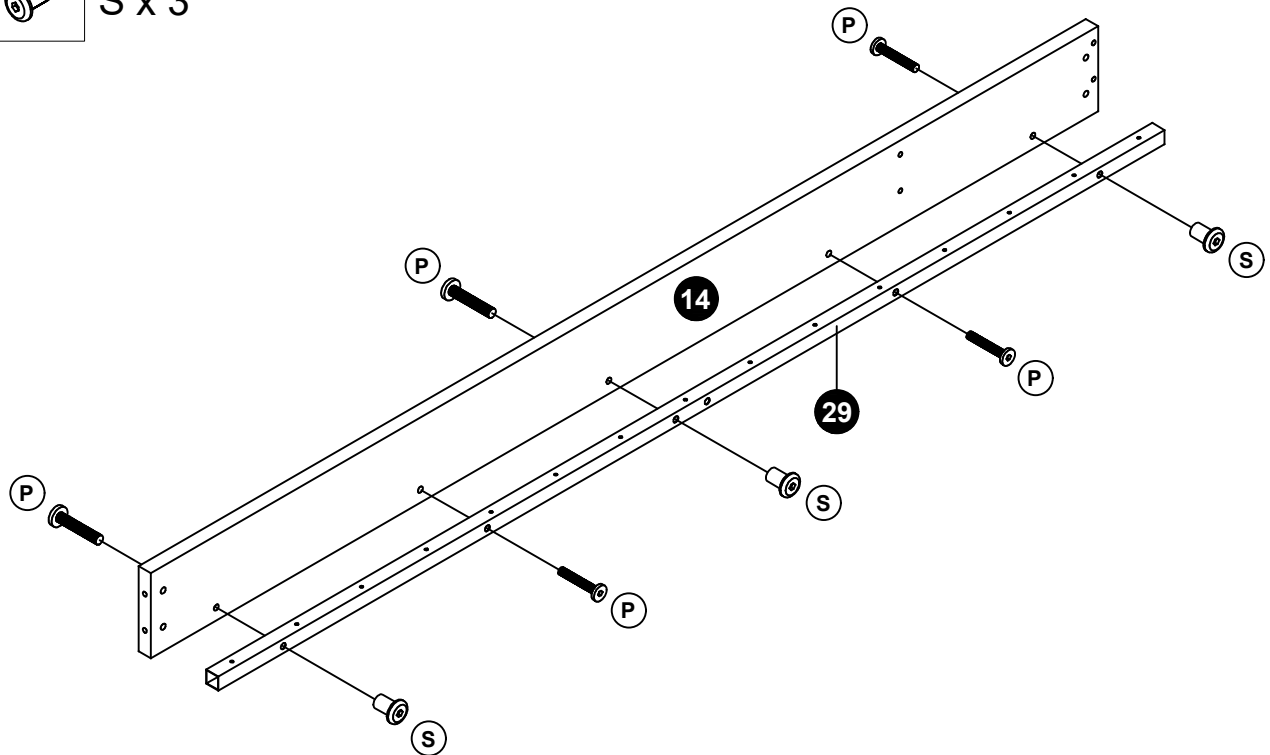
18  A x 1





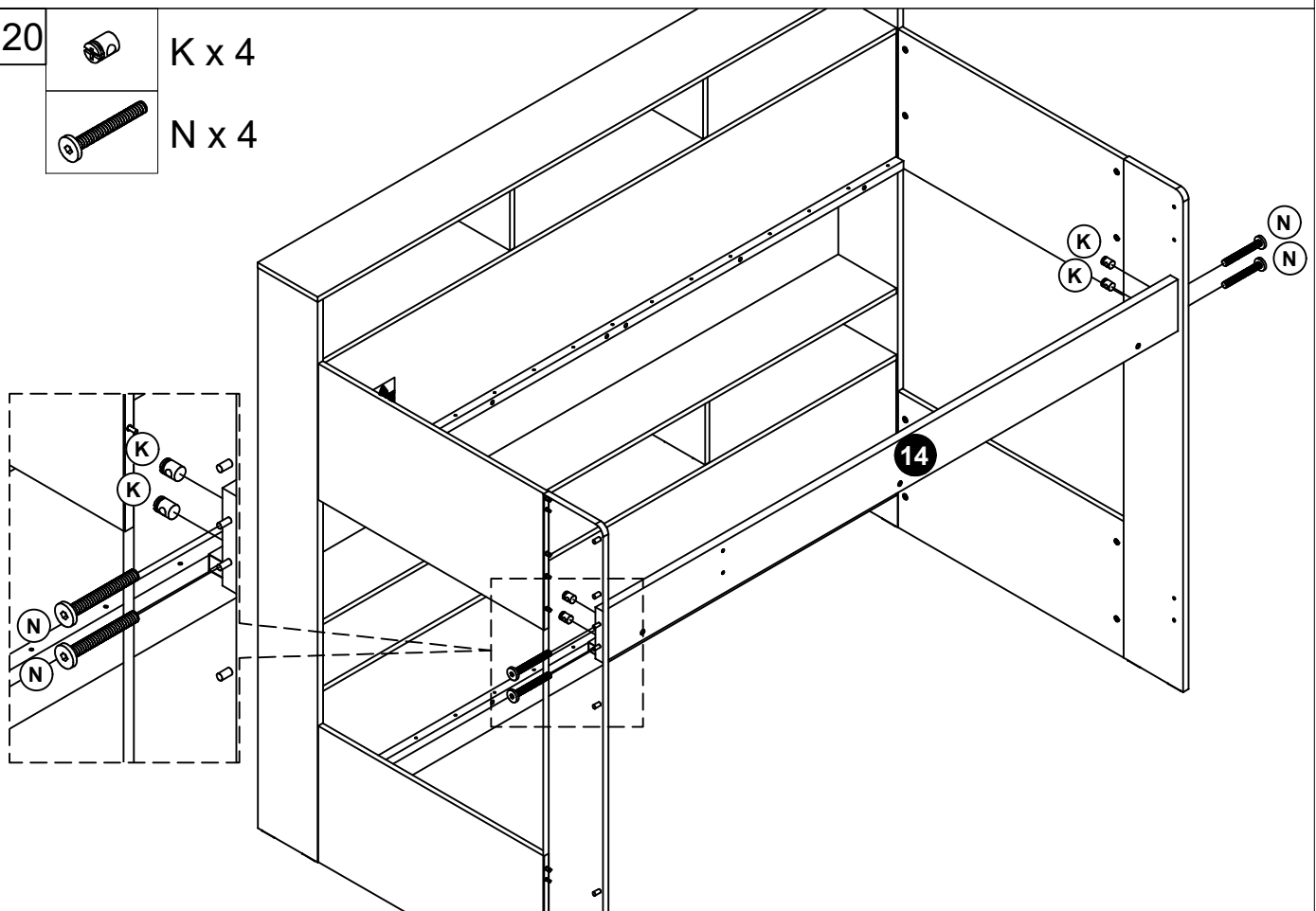
# Guide To Assembly

## Model : AVIARY BUNK BED

- 19  P x 5  
 S x 3




- 20  K x 4  
 N x 4

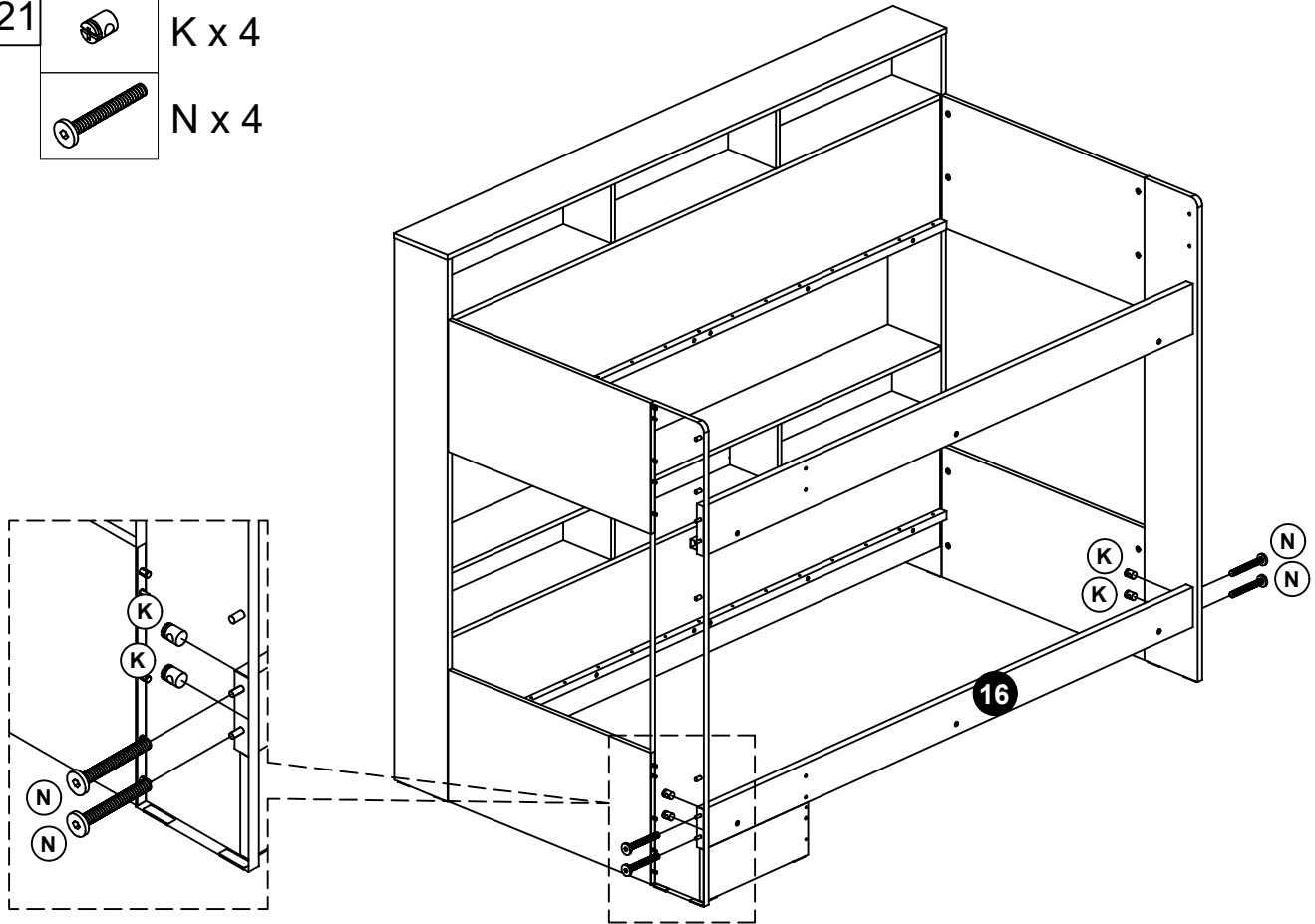


# Guide To Assembly

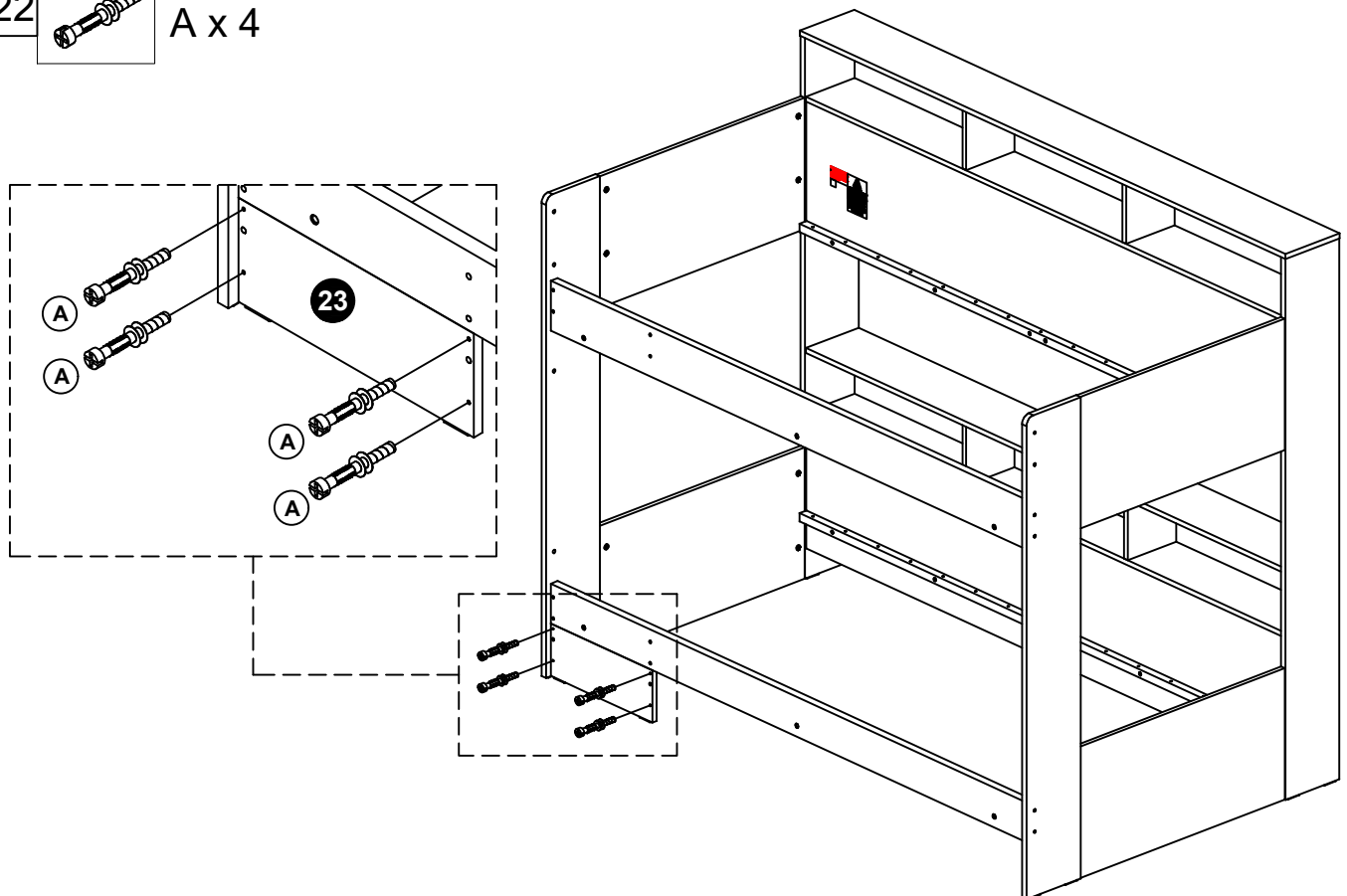
## Model : AVIARY BUNK BED

21  K x 4

 N x 4



22  A x 4



# Guide To Assembly

## Model : AVIARY BUNK BED

23

	A x 8
	B x 12
	C x 16
	K x 8

**WHEN FITTING CAMS**  
ENSURE STARTING POSITION IS CORRECT  
BEFORE YOU INSERT CONNECTING BOLT  
TURN CLOCKWISE UNTIL SECURE

CORRECT

WRONG

**23**

24

**with edging**

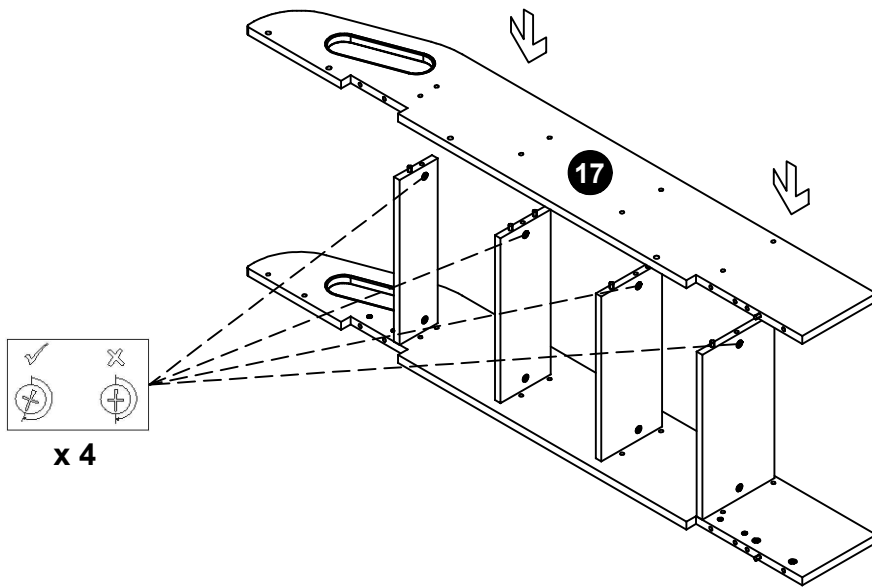
**24**

x 4

# Guide To Assembly

## Model : AVIARY BUNK BED

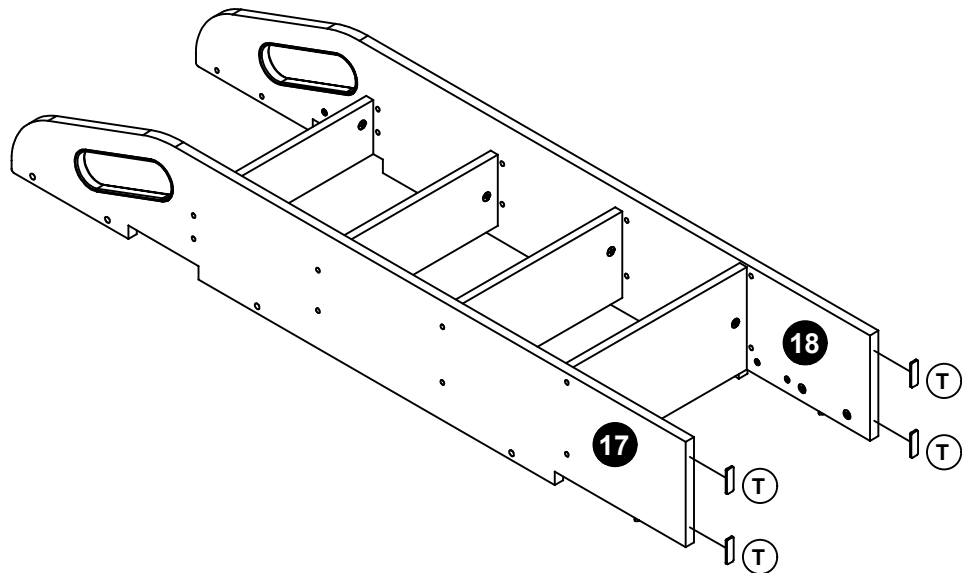
25



26



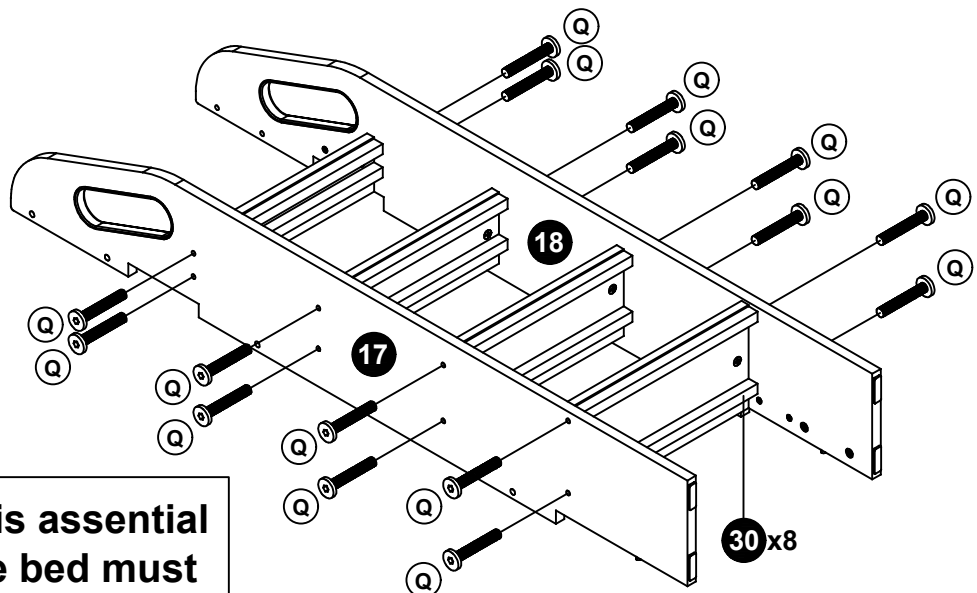
T x 4



27



Q x 16

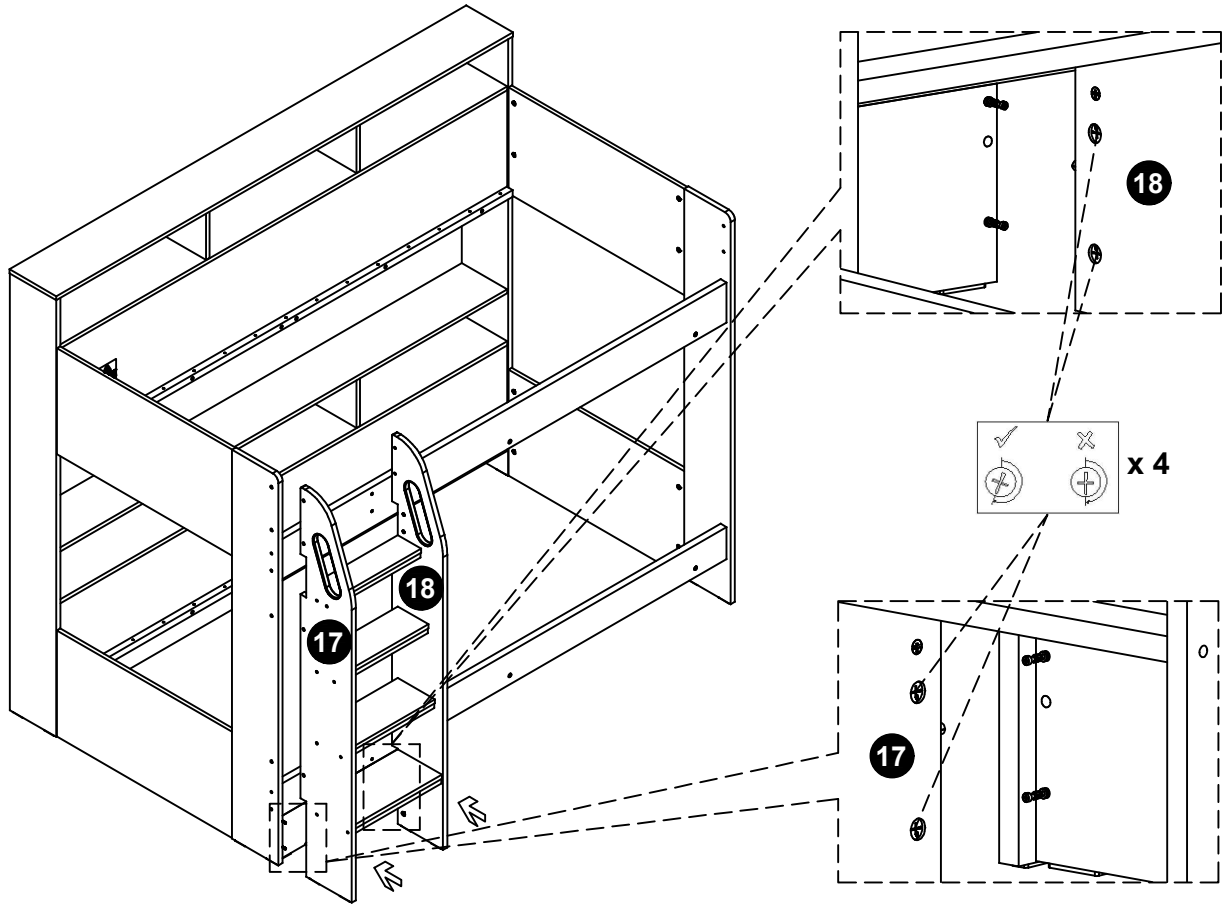


**Warning : Part 30 is assential to the safety of the bed must be FITTED before use.**

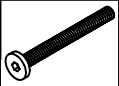
# Guide To Assembly

## Model : AVIARY BUNK BED

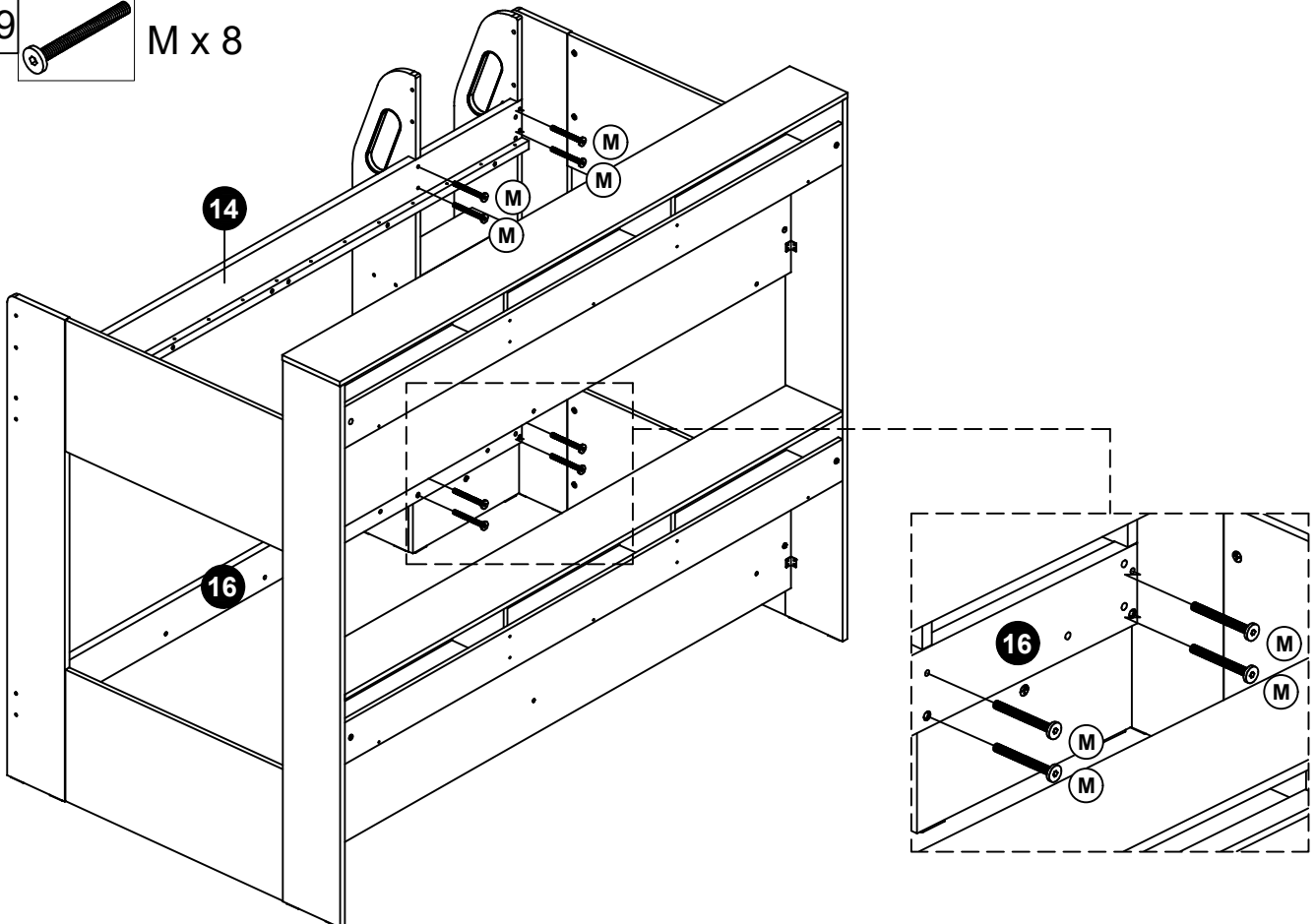
28



29



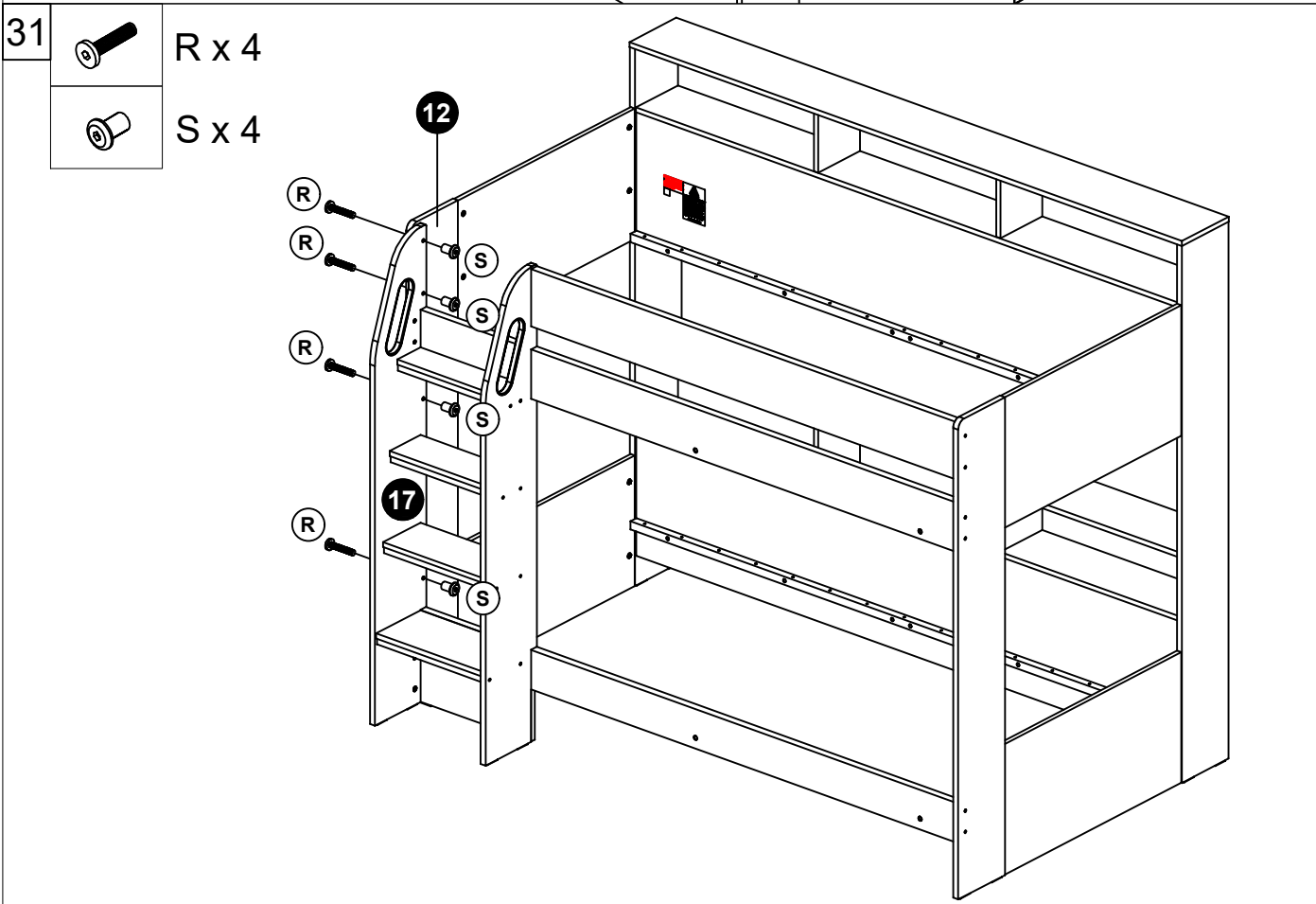
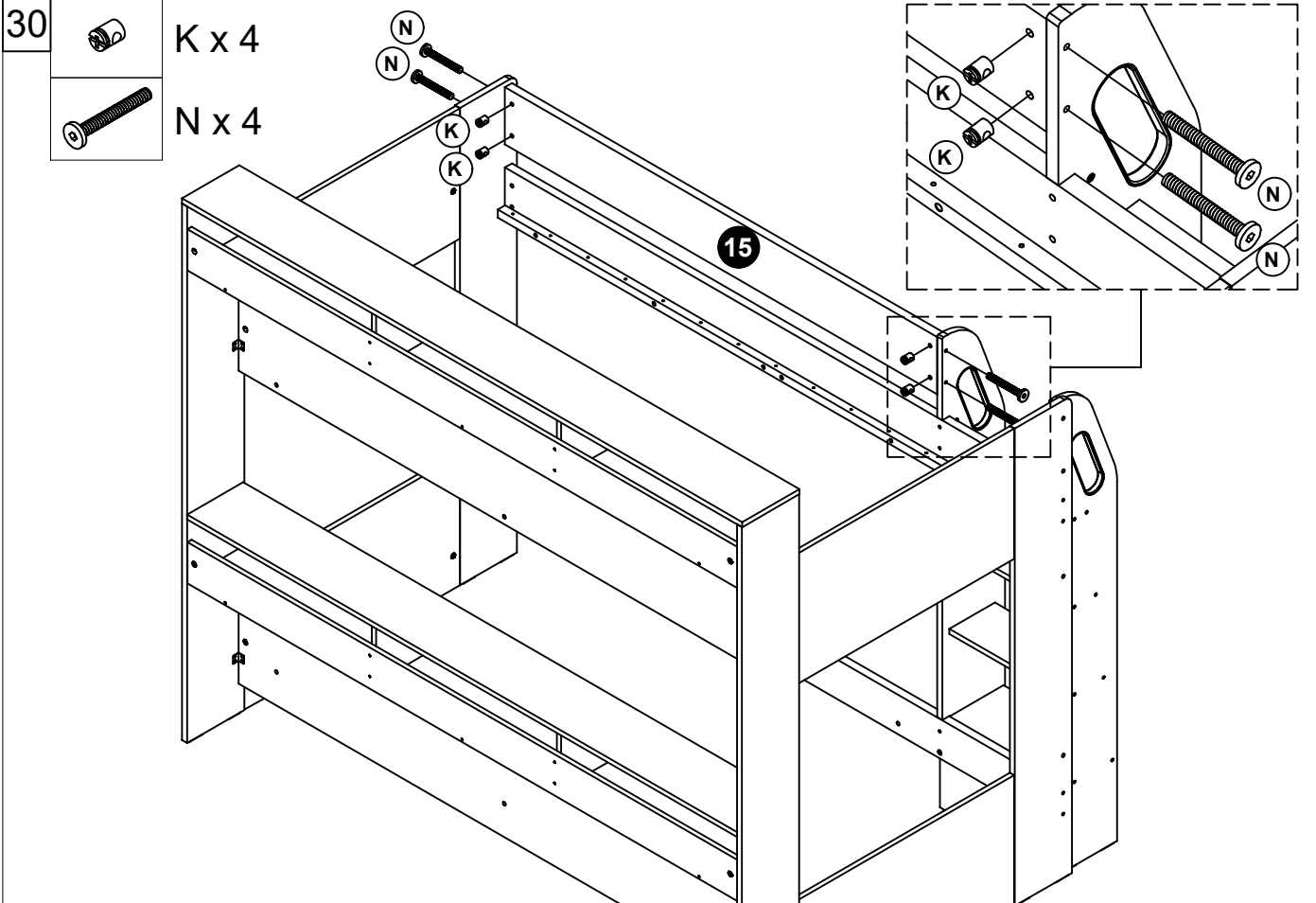
M x 8





# Guide To Assembly

## Model : AVIARY BUNK BED



# Guide To Assembly

## Model : AVIARY BUNK BED

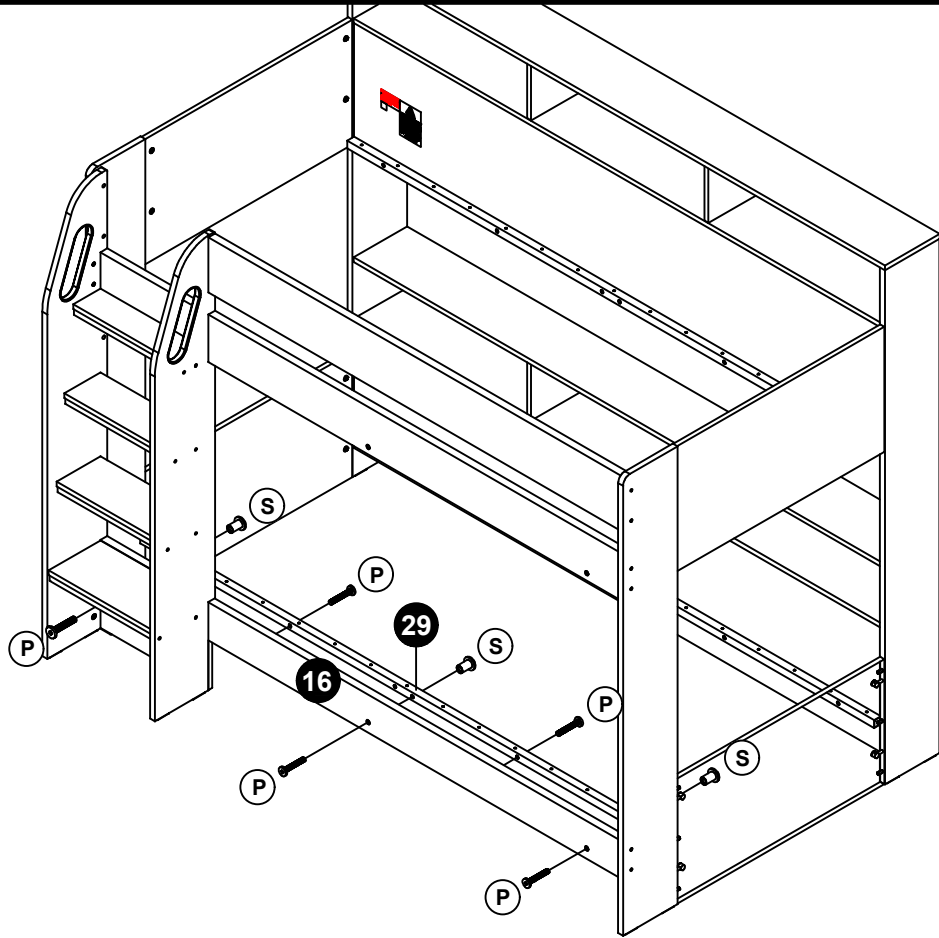
32



P x 5



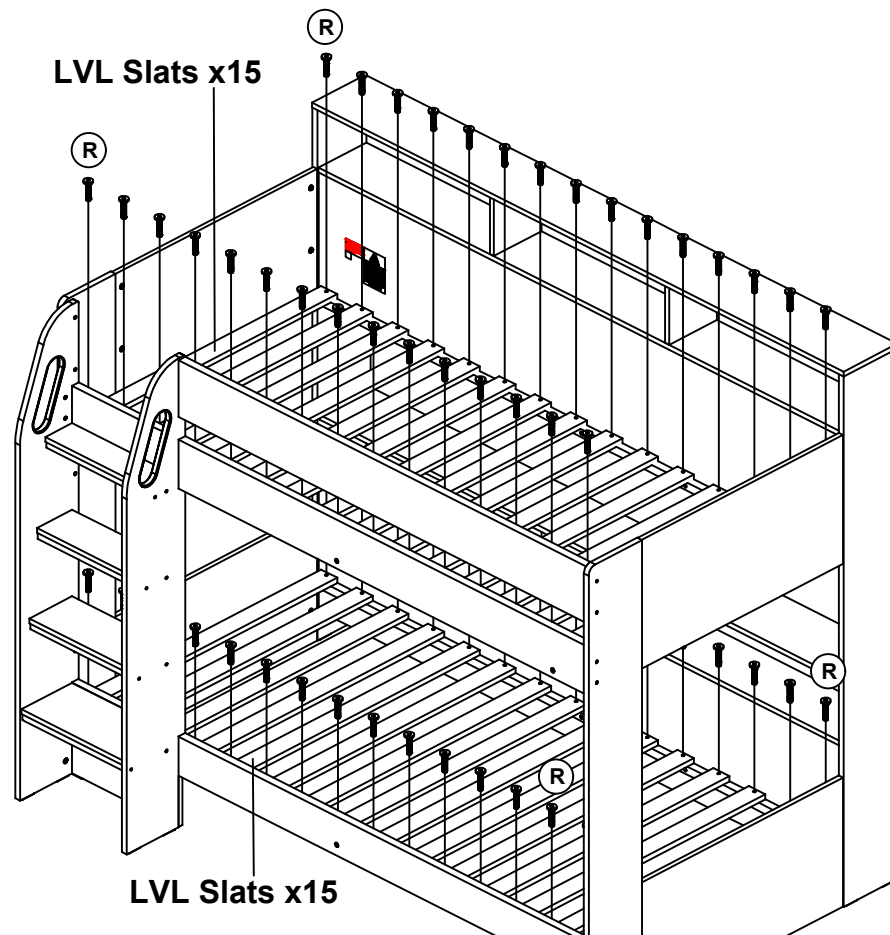
S x 3



33



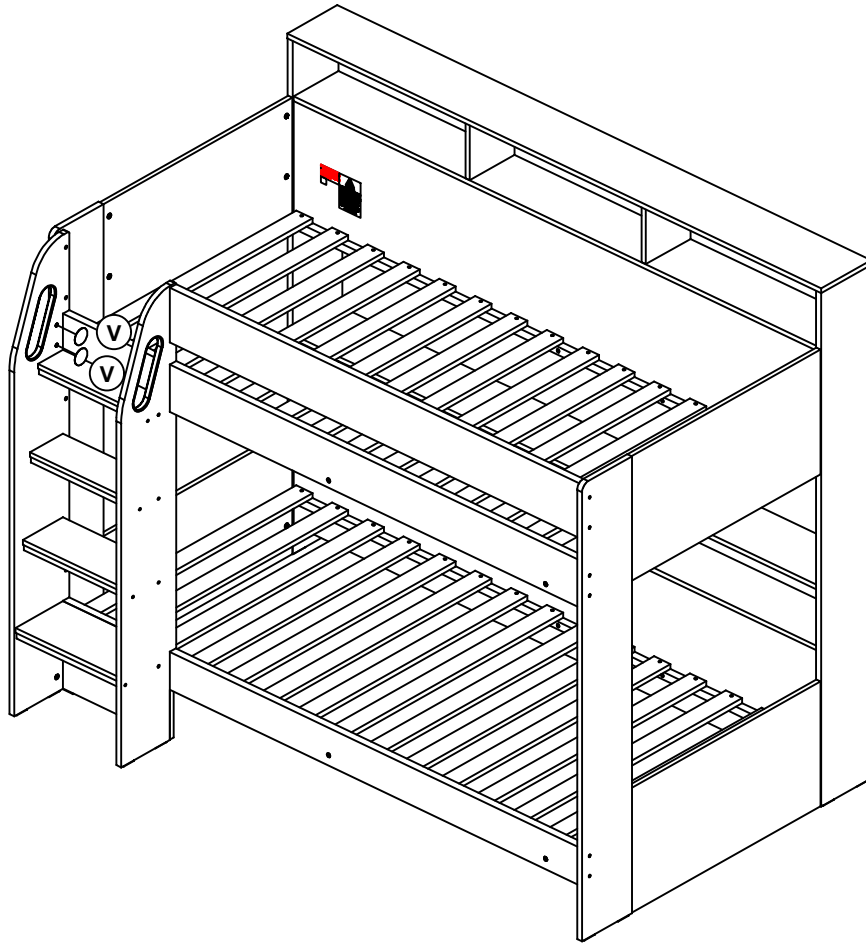
R x 60



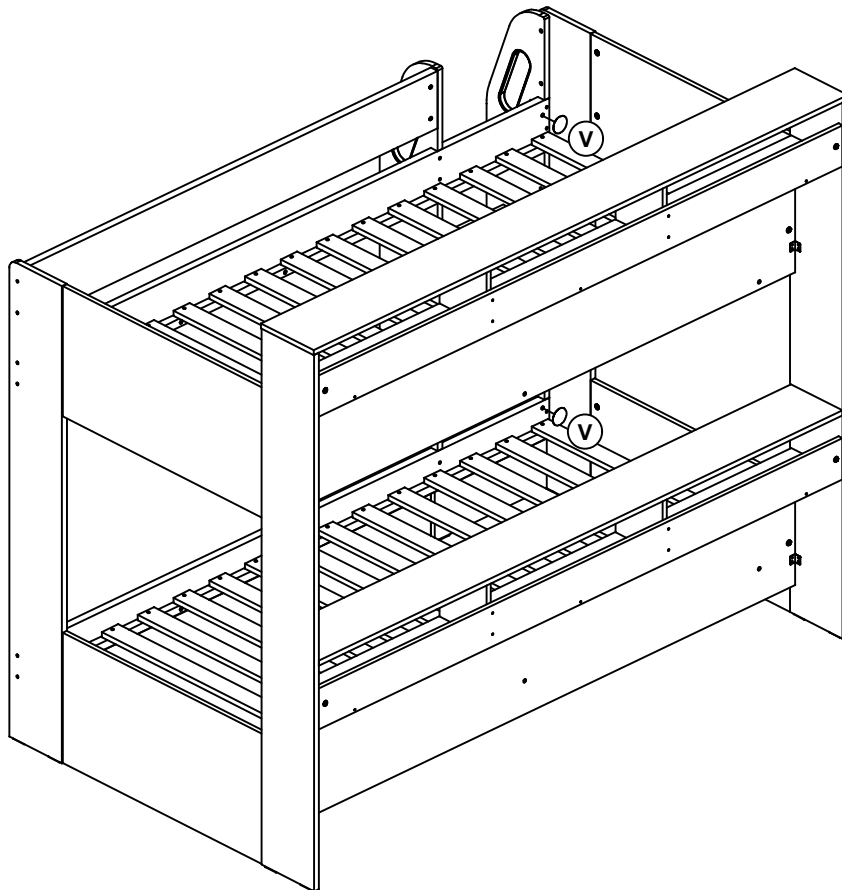
# Guide To Assembly

## Model : AVIARY BUNK BED

34 ○ V x 2



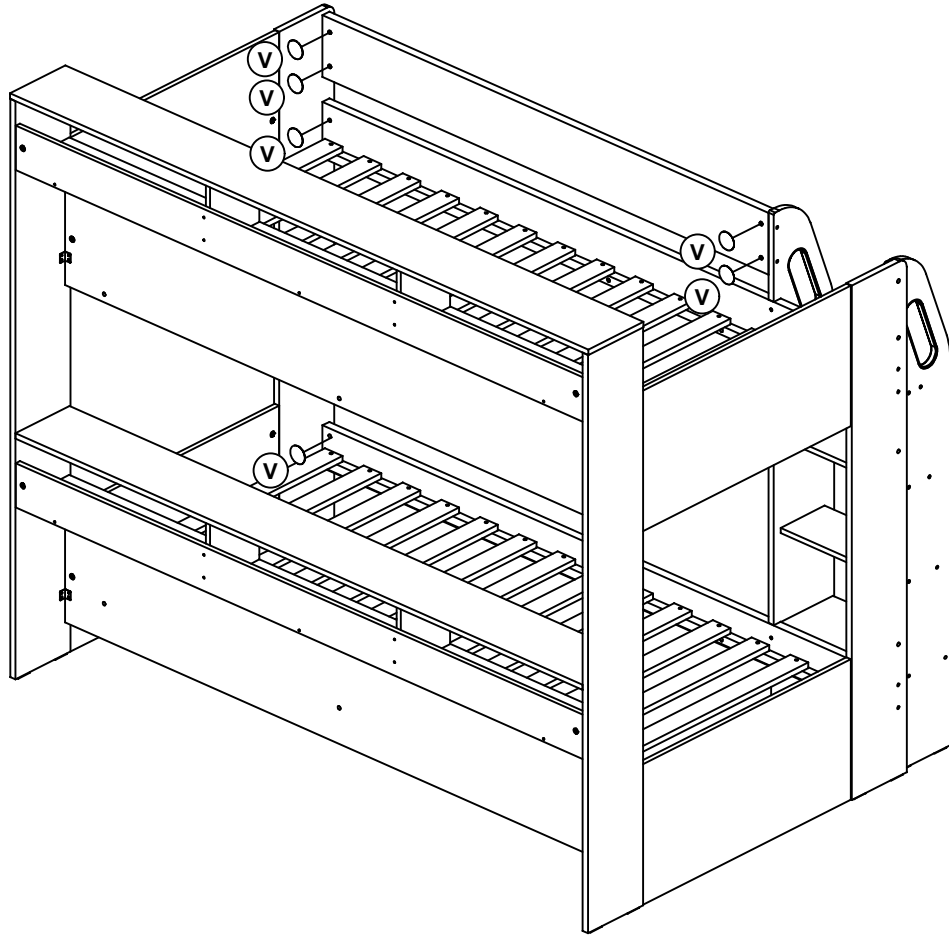
35 ○ V x 2



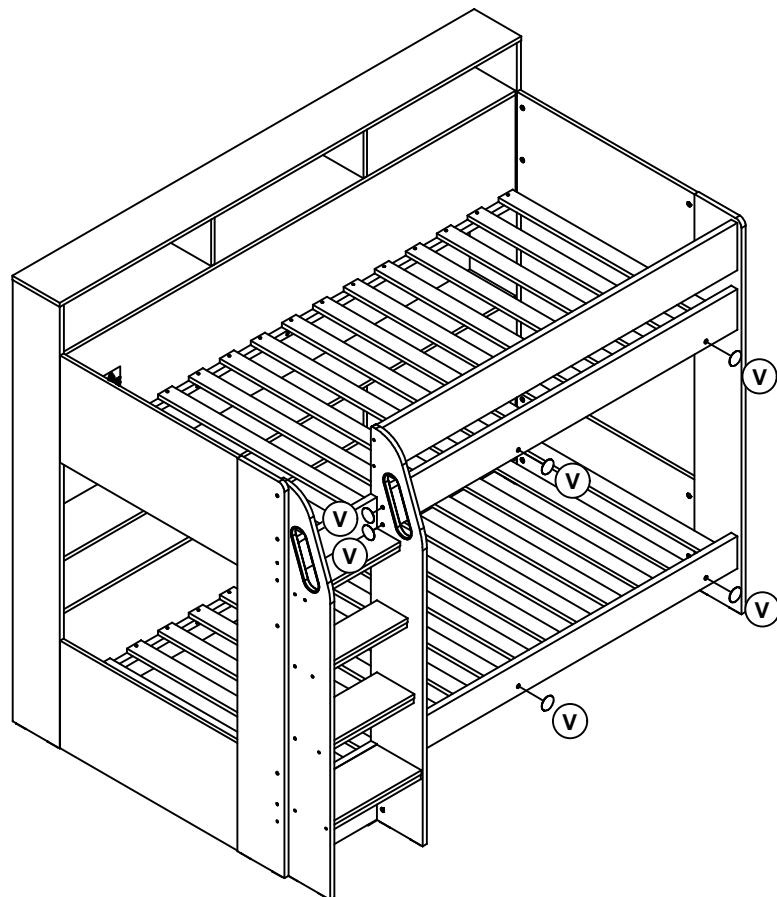
# Guide To Assembly

## Model : AVIARY BUNK BED

36 ○ V x 6



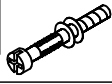


37 ○ V x 6



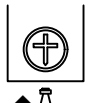
# Guide To Assembly

## Model : AVIARY BUNK BED

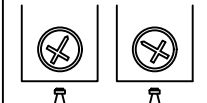
**38**

	A x 16
	B x 16
	C x 28

**WHEN FITTING CAMS**  
 ENSURE STARTING POSITION IS CORRECT  
 BEFORE YOU INSERT CONNECTING BOLT  
 TURN CLOCKWISE UNTIL SECURE

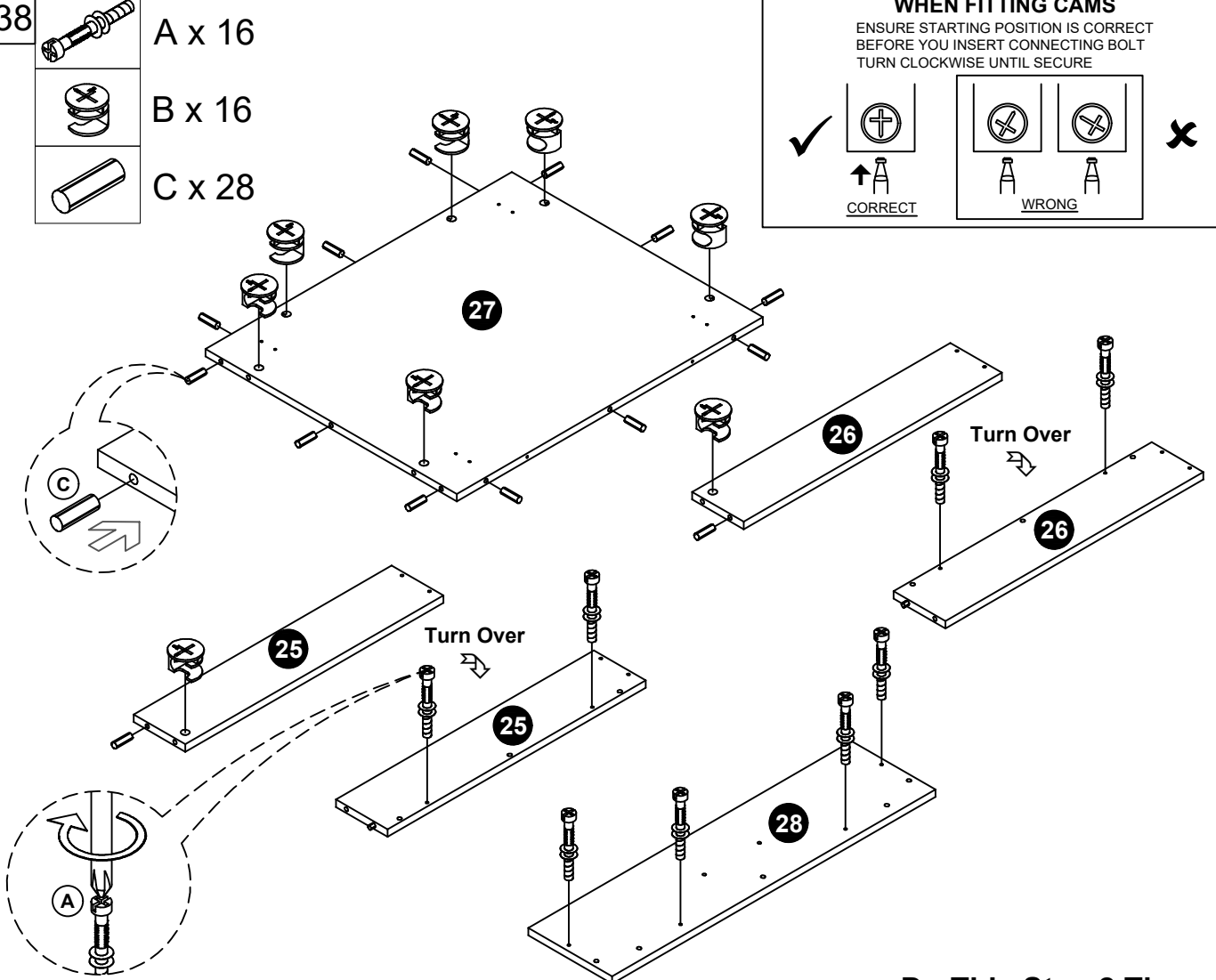


↑ A  
CORRECT




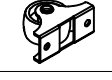
WRONG

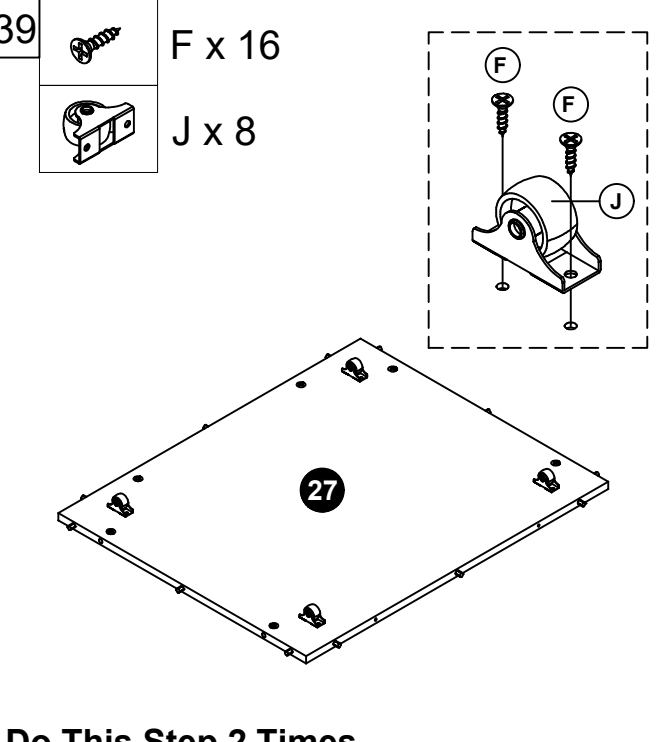
✗



**Do This Step 2 Times**

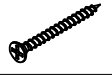
**39**

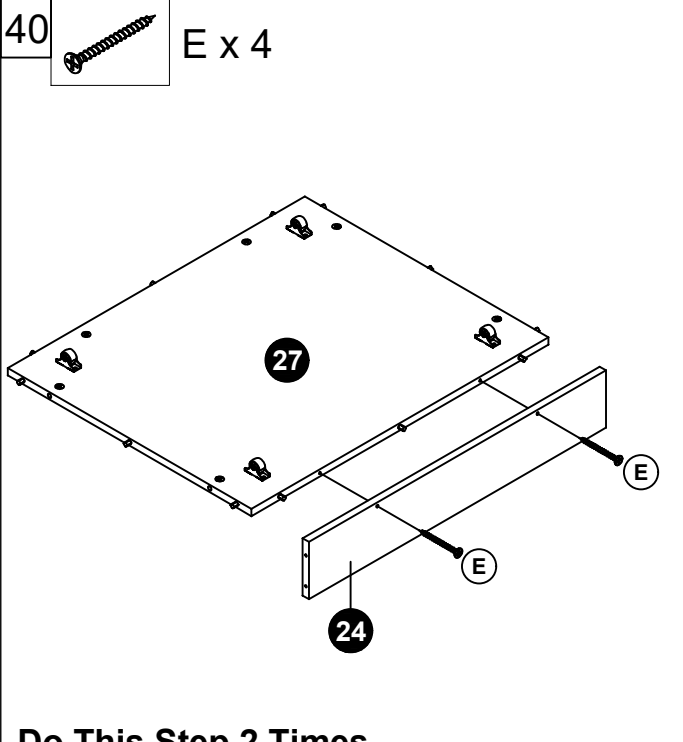
	F x 16
	J x 8



**Do This Step 2 Times**

**40**


	E x 4
-------------------------------------------------------------------------------------	-------

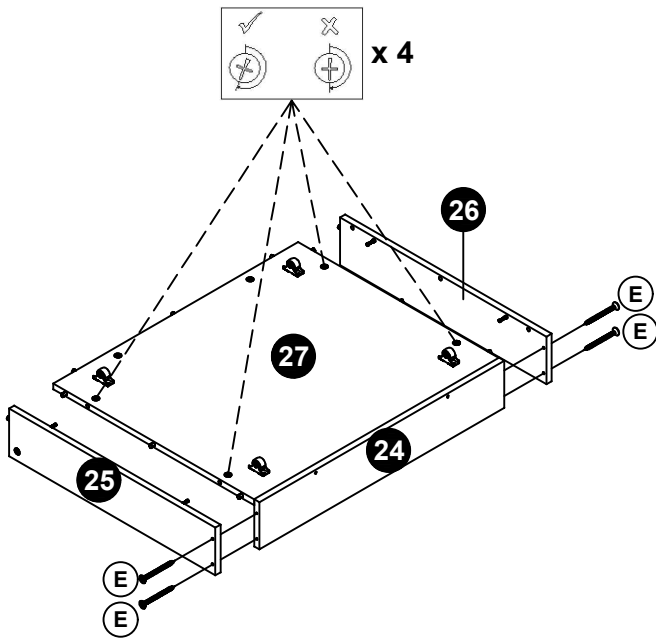


**Do This Step 2 Times**



# Guide To Assembly

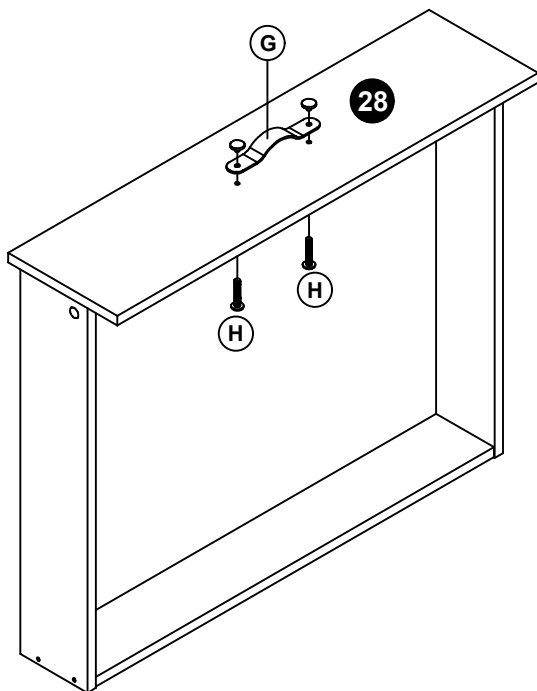
## Model : AVIARY BUNK BED

41  E x 8



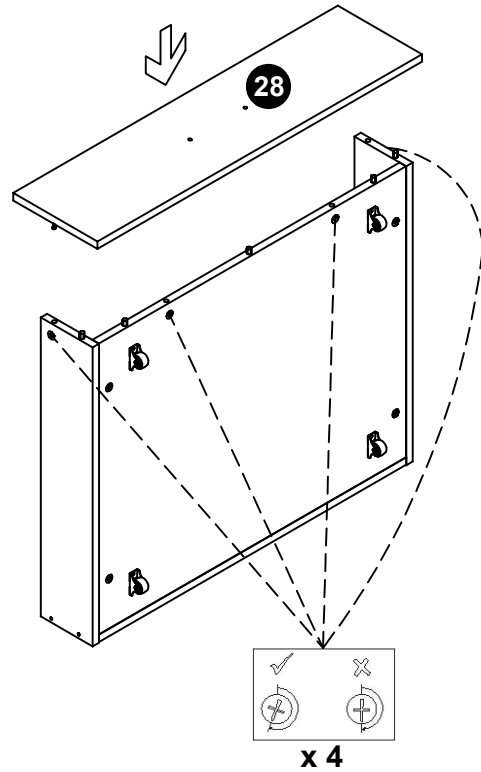
**Do This Step 2 Times**

43  G x 2  
 H x 4



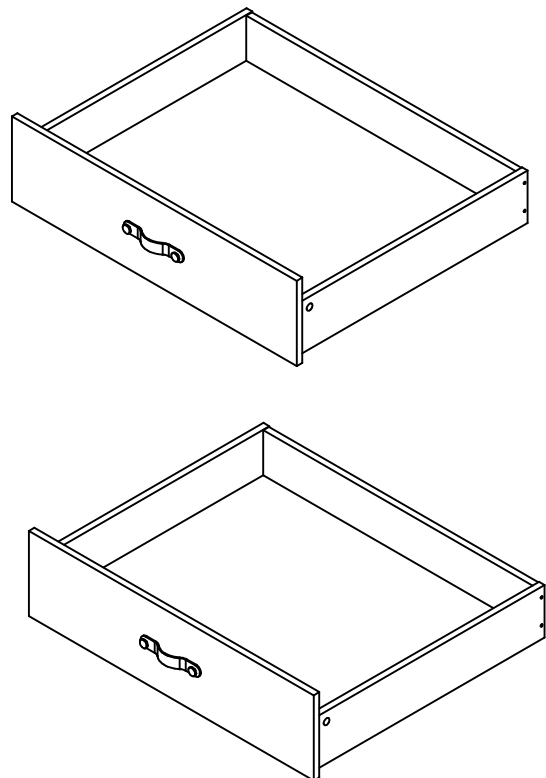
**Do This Step 2 Times**

42



**Do This Step 2 Times**

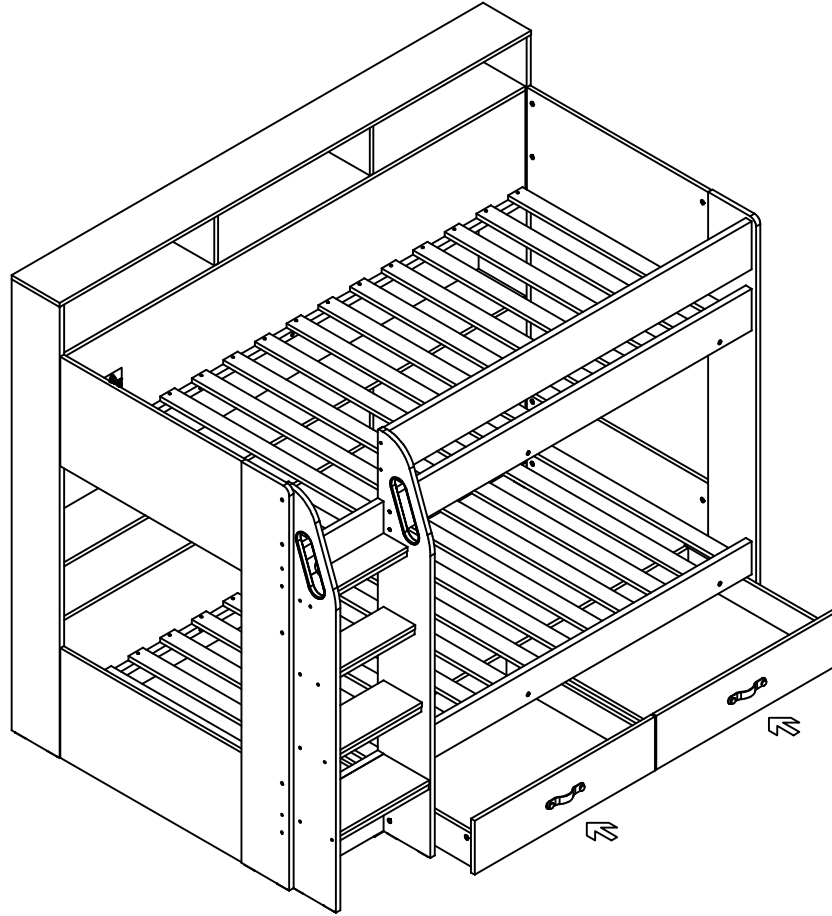
44



# Guide To Assembly

## Model : AVIARY BUNK BED

45



46

